



GENERATOR

EU20i



ECOLOGY CONSCIOUS TECHNOLOGY

OWNER'S MANUAL
MANUEL DE L'UTILISATEUR
BEDIENUNGSANLEITUNG
MANUAL DE EXPLICACIONES

Honda EU20i

OWNER'S MANUAL

Original instructions

MANUEL DE L'UTILISATEUR

Notice originale

BEDIENUNGSANLEITUNG

Originalbetriebsanleitung

MANUAL DE EXPLICACIONES

Manual original



The "e-SPEC" mark symbolizes environmentally responsible technologies applied to Honda power equipment, which contains our wish to "preserve nature for generations to come."

Thank you for purchasing a Honda generator.

This manual covers operation and maintenance of the EU20i generator.

All information in this publication is based on the latest product information available at the time of approval for printing.

Honda Motor Co., Ltd. reserves the right to make changes at any time without notice and without incurring any obligation.

No part of this publication may be reproduced without written permission.

This manual should be considered a permanent part of the generator and should remain with it if it is resold.

Pay special attention to statements preceded by the following words:

▲WARNING Indicates a strong possibility of severe personal injury or death if instructions are not followed.

CAUTION: Indicates a possibility of personal injury or equipment damage if instructions are not followed.

NOTE: Gives helpful information.

If a problem should arise, or if you have any questions about the generator, consult an authorized Honda dealer.

▲WARNING
Honda generator is designed to give safe and dependable service if operated according to instructions. Read and understand the Owner's Manual before operating the generator. Failure to do so could result in personal injury or equipment damage.

The illustrations herein are mainly based on: EU type

- The illustration may vary according to the type.

CONTENTS

1. SAFETY INSTRUCTIONS	3
2. SAFETY LABEL LOCATIONS	7
CE mark and noise label locations	11
3. COMPONENT IDENTIFICATION	12
4. PRE-OPERATION CHECK	16
5. STARTING THE ENGINE	21
• Carburetor Modification for High Altitude Operation	
6. GENERATOR USE	25
7. STOPPING THE ENGINE	38
8. MAINTENANCE	40
9. TRANSPORTING/STORAGE	45
10. TROUBLESHOOTING	48
11. SPECIFICATIONS	51
12. WIRING DIAGRAM	53
RECEPTACLE	54
MAJOR Honda DISTRIBUTOR ADDRESSES	Inside back cover
“EC Declaration of Conformity”	
CONTENT OUTLINE	Inside back cover

1. SAFETY INSTRUCTIONS

IMPORTANT SAFETY INFORMATION

Honda generators are designed for use with electrical equipment that has suitable power requirements. Other uses can result in injury to the operator or damage to the generator and other property.

Most injuries or property damage can be prevented if you follow all instructions in this manual and on the generator. The most common hazards are discussed below, along with the best way to protect yourself and others.

Never attempt to modify the generator. It can cause an accident as well as damage to the generator and appliances.

- Do not connect an extension to the muffler.
- Do not modify the intake system.
- Do not adjust the governor.
- Do not remove the control panel or do not change the wiring of the control panel.

Operator Responsibility

Know how to stop the generator quickly in case of emergency. Understand the use of all generator controls, output receptacles, and connections.

Be sure that anyone who operates the generator receives proper instruction. Do not let children operate the generator without parental supervision.

Be sure to observe the instructions in this manual for how to use the generator and maintenance information. Ignoring or improperly following the instructions can cause an accident such as an electric shock, and the condition of the exhaust gas may deteriorate.

Obey all applicable laws and regulations where the generator is used.

Gasoline and Oil is toxic. Follow the instructions provided by each manufacturer before use.

Place the generator on a firm level place before operation.

Do not operate the generator with any cover removed. You may get your hand or foot caught in the generator and it may cause accident.

Consult your authorized Honda dealer for disassembly and service of the generator that are not covered in this manual.

Carbon Monoxide Hazards

Exhaust contains poisonous carbon monoxide, a colorless, odorless gas. Breathing exhaust can cause loss of consciousness and may lead to death.

If you run the generator in an area that is confined, or even partially enclosed area, the air you breathe could contain a dangerous amount of exhaust gas.

Never run your generator inside a garage, house, or near open windows or doors.

Electric Shock Hazards

The generator produces enough electric power to cause a serious shock or electrocution if misused.

Using a generator or electrical appliance in wet conditions, such as rain or snow, or near a pool or sprinkler system, or when your hands are wet, could result in electrocution.

Keep the generator dry.

If the generator is stored outdoors, unprotected from the weather, check all of the electrical components on the control panel before each use. Moisture or ice can cause a malfunction or short circuit in electrical components that could result in electrocution.

If you get an electric shock, consult a doctor and have medical treatment immediately.

Fire and Burn Hazards

Do not use the generator in areas with a high risk of fire.

The exhaust system gets hot enough to ignite some materials.

- Keep the generator at least 1 meter (3 feet) away from buildings and other equipment during operation.
- Do not enclose the generator in any structure.
- Keep flammable materials away from the generator.

Some parts of the internal combustion engine are hot and may cause burns. Pay attention to the warnings on the generator.

The muffler becomes very hot during operation and remains hot for a while after stopping the engine. Be careful not to touch the muffler while it is hot. Let the engine cool before storing the generator indoors.

Do not pour the water directly on the generator to put out the fire when it occurs. Use an appropriate fire extinguisher specially designed for electric fire or oil fire.

If you inhale fumes produced by an accidental fire with the generator, consult a doctor and have medical treatment immediately.

Refuel With Care

Gasoline is extremely flammable, and gasoline vapor can explode. Allow the engine to cool if the generator has been in operation.

Refuel only outdoors in a well ventilated area with the engine off.

Do not refuel during operation.

Do not overfill the fuel tank.

Never smoke near gasoline, and keep other flames and sparks away.

Always store gasoline in an approved container.

Make sure that any spilled fuel has been wiped up before starting the engine.

Explosion proof

This generator is not complaint with explosion proof.

Disposal

To protect the environment, do not dispose of the used generator, battery, engine oil, etc. carelessly by leaving them in the waste. Observe the local laws or regulations or consult your authorized Honda generator dealer to dispose of these parts.

Please dispose of used motor oil in a manner that is compatible with the environment. We suggest you take it in a sealed container to your local service station for reclamation. Do not throw it in the trash or pour it on the ground.

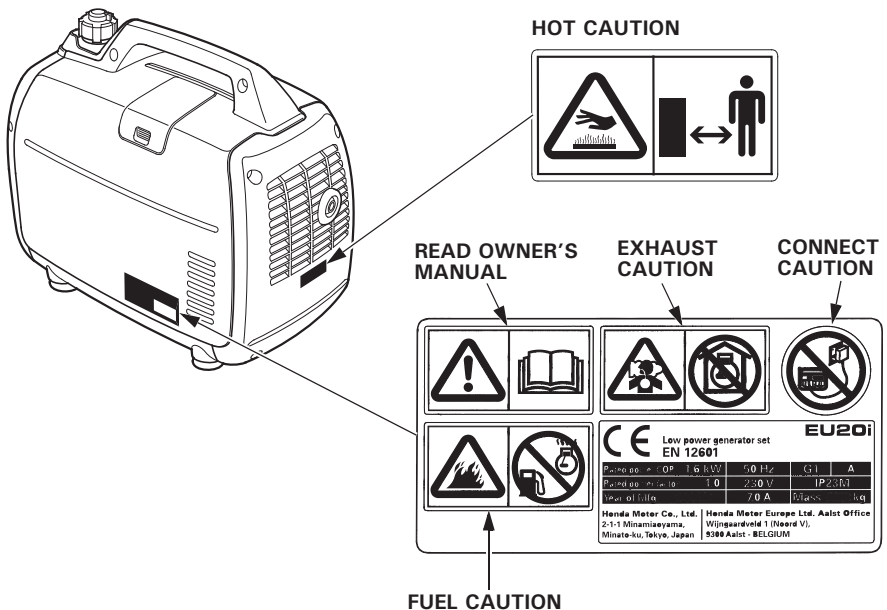
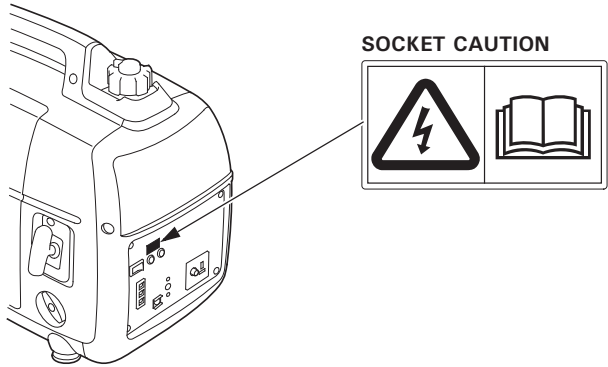
An improperly disposed battery can hurt the environment. Always confirm local regulations for battery disposal. Contact your servicing dealer for a replacement.

2. SAFETY LABEL LOCATIONS

These labels warn you of potential hazards that can cause serious injury. Read the labels and safety notes and precautions described in this manual carefully.

If a label comes off or becomes hard to read, contact your servicing dealer for a replacement.

[For European model: G, GP3, GW, GW1, B, F, W, CL types]





- Honda generator is designed to give safe and dependable service if operated according to instructions.
Read and understand the Owner's Manual before operating the generator. Failure to do so could result in personal injury or equipment damage.



- Exhaust contains poisonous carbon monoxide, a colorless, odorless gas. Breathing carbon monoxide can cause loss of consciousness and may lead to death.
- If you run the generator in an area that is confined, or even partially enclosed area, the air you breathe could contain a dangerous amount of exhaust gas.
- Never run your generator inside a garage, house or near open windows or doors.



- Improper connections to a building's electrical system can allow current from the generator to backfeed into the utility lines. Such backfeed may electrocute utility company workers or others who contact the lines during a power outage, and the generator may explode, burn, or cause fires when utility power is restored. Consult the utility company or a qualified electrician prior to making any power connections.



- Gasoline is highly flammable and explosive. Turn the engine off and let it cool before refueling.

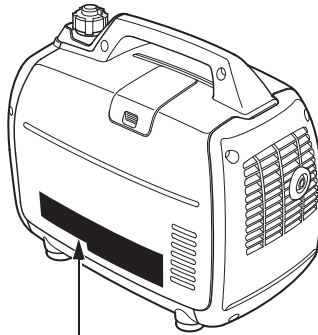


- Connect and remove the receptacle box for parallel operation with the engine stopped.
- For single operation, the receptacle box for parallel operation must be removed.



- A hot exhaust system can cause serious burns. Avoid contact if the engine has been running.

[For Australian model: U type]



▲ CAUTION

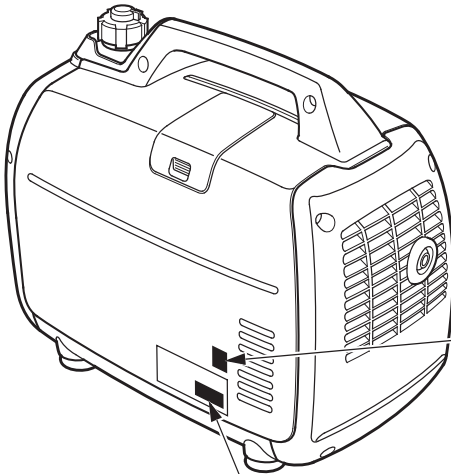
- DO NOT USE INDOORS DUE TO DANGER OF CARBON MONOXIDE POISONING.
- DO NOT CONNECT THE RECEPTACLE OF THIS GENERATOR TO HOUSE WIRING.
- STOP THE ENGINE BEFORE REFUELING.
- CHECK FOR SPILLED FUEL OR FUEL LEAKS.
- DO NOT FILL THE FUEL TANK BEYOND THE UPPER LIMIT LINE.
- FOR DETAILED EXPLANATION, READ THE OWNER'S MANUAL.
- WHEN STORED OR IN TRANSIT, MAKE CERTAIN THAT THE ENGINE SWITCH AND THE FUEL TANK CAP LEVER ARE IN "OFF" POSITION TO PREVENT FUEL LEAKS.
- BE SURE TO CONNECT ONLY THE SPECIAL LEAD TO THE PARALLEL OPERATION RECEPTACLE.

▲ ATTENTION

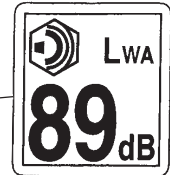
- NE PAS UTILISER DANS UN LOCAL CLOS OU LES VAPEURS NOCIVES DE MONOXYDE DE CARBONE PEUVENT S'ACCUMULER.
- NE JAMAIS CONNECTER LE GROUPE ÉLECTROGÈNE À UNE PRISE DE SECTEUR.
- ARRÊTER LE MOTEUR AVANT DE FAIRE LE PLEIN D'ESSENCE.
- CONTRÔLER QU'IL N'Y A NI FUITE D'ESSENCE, NI D'ESSENCE RÉPANDUE SUR L'APPAREIL.
- NE PAS REMPLIR LE RÉSERVOIR D'ESSENCE AU-DESSUS DU REPÈRE DE NIVEAU MAXIMUM.
- POUR PLUS D'INFORMATIONS, LIRE LE MANUEL DE L'UTILISATEUR.
- QUAND LE GROUPE ÉLECTROGÈNE EST REMISÈ OU TRANSPORTÉ, S'ASSURER QUE LE CONTACT D'ARRÊT DU MOTEUR ET LA MISE À L'AIR LIBRE DU RÉSERVOIR D'ESSENCE SONT SUR LA POSITION "OFF" AFIN D'ÉVITER TOUTE FUITE D'ESSENCE.
- CONNECTER UNIQUEMENT LE CORDON SPÉCIAL À LA PRISE POUR UTILISATION EN PARALLÈLE.

• CE mark and noise label locations

[For European model: G, GP3, GW, GW1, B, F, W, CL types]



NOISE LABEL



CE MARK

Year of manufacture

CE	Low power generator set		EU20i	
	EN 12601			
Rated power COP	1.6 kW	50 Hz	G1	A
Rated power factor	1.0	230 V	IP23M	
Year of Mfg.		7.0 A	Mass	kg
Honda Motor Co., Ltd. 2-1-1 Minamiaoyama, Minato-ku, Tokyo, Japan		Honda Motor Europe Ltd. Aalst Office Wijngaardveld 1 (Noord V), 9300 Aalst - BELGIUM		

Performance class

Quality class

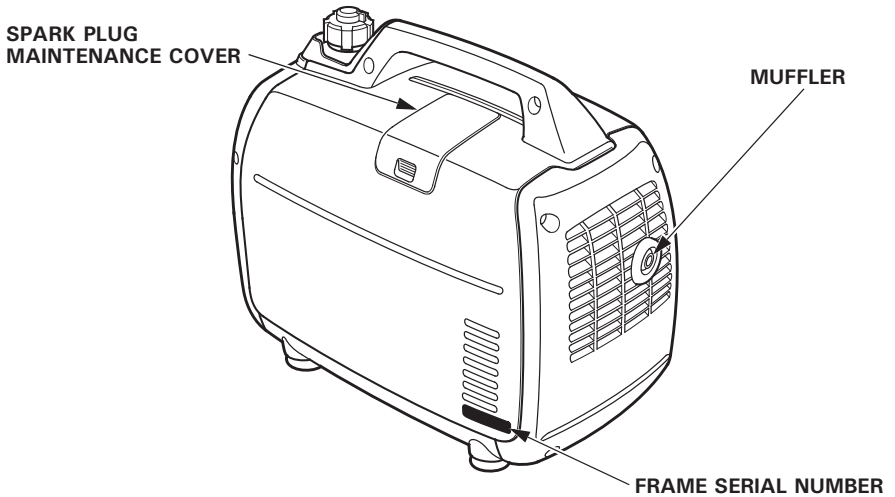
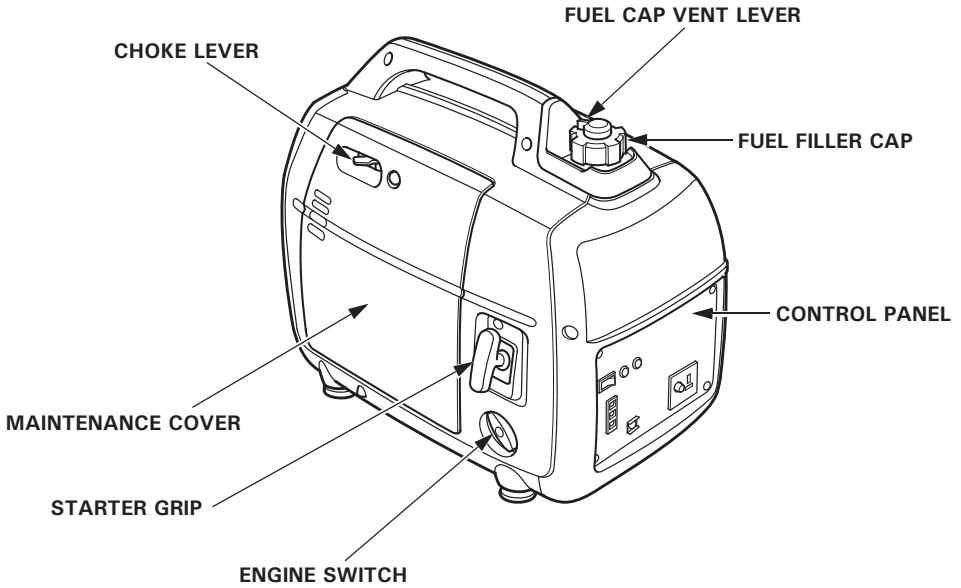
IP code

Dry mass (weight)

Manufacturer and address

Name and address of authorized representative

3. COMPONENT IDENTIFICATION

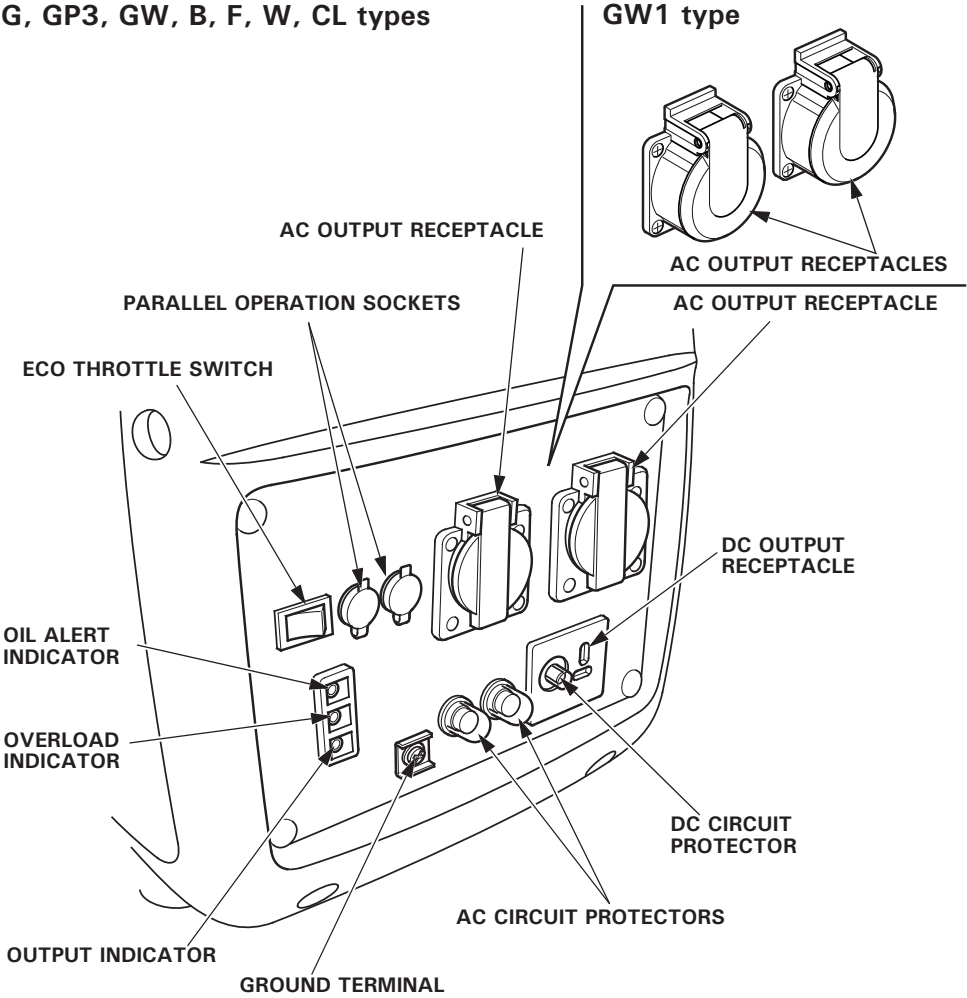


Record the frame serial number in the space below. You will need this serial number when ordering parts.

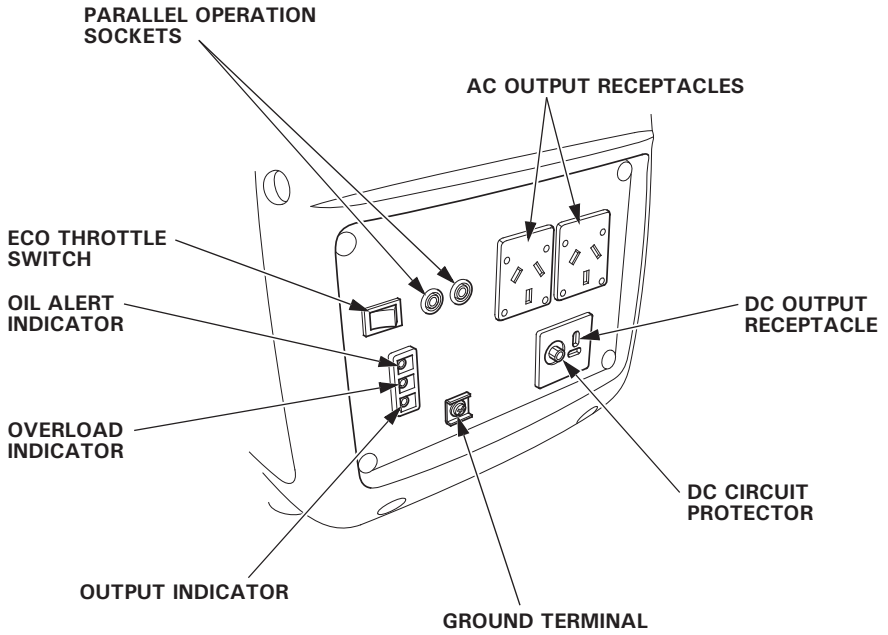
Frame serial number: _____

CONTROL PANEL

G, GP3, GW, B, F, W, CL types



U type



Eco Throttle

ECO:

Engine speed is kept at idle automatically when the electrical appliance is disconnected and it returns to the proper speed by the electrical load when electrical appliance is connected. This position is recommended to minimize the fuel consumption while in operation.

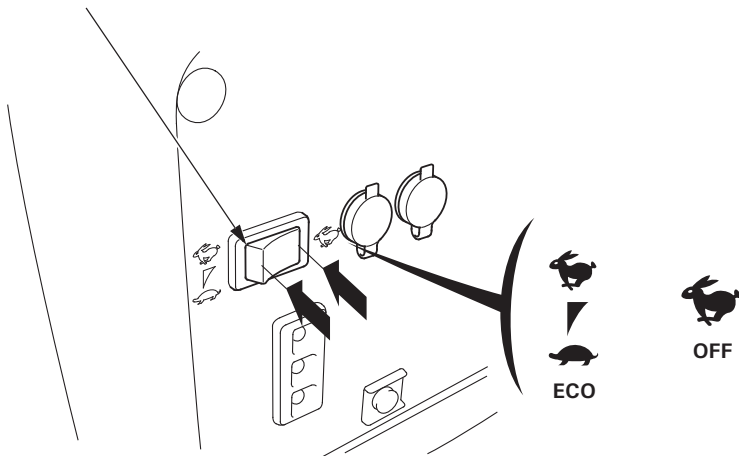
NOTE:

- Eco Throttle system does not operate sufficiently if the electrical appliance requires the momentary electric power.
- When high electrical load appliances is connected simultaneously, turn the Eco Throttle switch to the OFF position to reduce voltage changes.
- In DC operation, turn the eco throttle switch to the OFF position.

OFF:

Eco Throttle system does not operate. Engine speed is kept in the range on the Engine speed (with eco throttle off) in the "SPECIFICATION" page.

ECO THROTTLE SWITCH



4. PRE-OPERATION CHECK

CAUTION:

Be sure to check the generator on a level surface with the engine stopped.

1. Check the engine oil level.

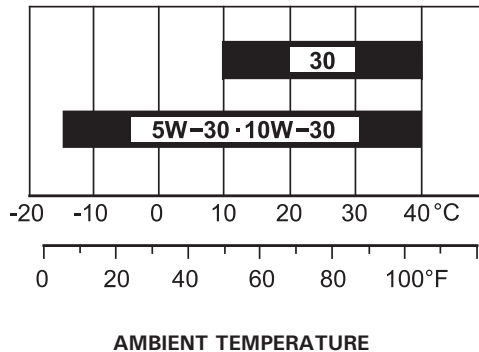
CAUTION:

Using non detergent oil or 2-stroke engine oil could shorten the engine's service life.

Recommended oil

Use 4-stroke motor oil that meets or exceeds the requirements for API service category SE or later (or equivalent). Always check the API service label on the oil container to be sure it includes the letters SE or later (or equivalent).

Read the instruction on the oil container before use.

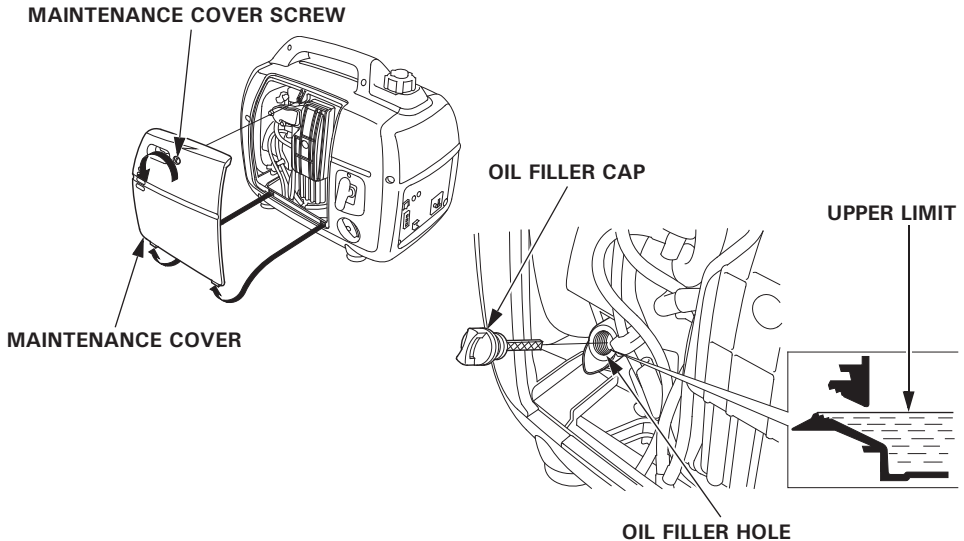


SAE 10W-30 is recommended for general use. Other viscosities shown in the chart may be used when the average temperature in your area is within the recommended range.

-
- (1) Loosen the maintenance cover screw and remove the maintenance cover.
 - (2) Remove the oil filler cap.
 - (3) Check the oil level. If it is below the upper limit, fill with the recommended oil to the upper limit.
 - (4) Reinstall the oil filler cap securely.

CAUTION:

Running the engine with insufficient oil can cause serious engine damage.



NOTE:

The Oil Alert system will automatically stop the engine before the oil level falls below the safe limit. However, to avoid the inconvenience of an unexpected shutdown, it is still advisable to visually inspect the oil level regularly.

2. Check the fuel level.

If the fuel level is low, refuel the fuel tank until the level as specified. After refueling, tighten the fuel filler cap securely.

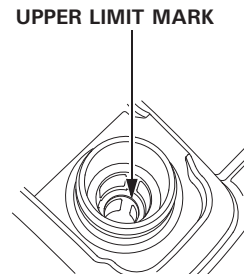
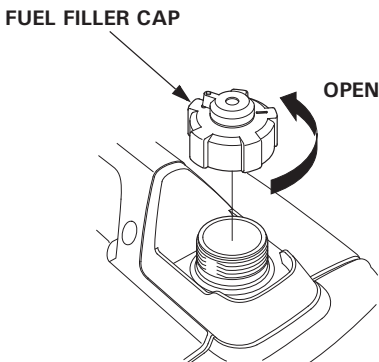
Use automotive unleaded gasoline with a Research Octane Number of 91 or higher (a Pump Octane Number of 86 or higher).

Never use stale or contaminated gasoline or an oil/gasoline mixture.

Avoid getting dirt or water in the fuel tank.

▲WARNING

- Gasoline is extremely flammable and is explosive under certain conditions.
- Refuel in a well ventilated area with the engine stopped. Do not smoke or allow flames or sparks in the area where the engine is refueled or where gasoline is stored.
- Do not overfill the fuel tank (there should be no fuel above the upper limit mark). After refueling, make sure the fuel filler cap is closed properly and securely.
- Be careful not to spill fuel when refueling. Spilled fuel or fuel vapor may ignite. If any fuel is spilled, make sure the area is dry before starting the engine.
- Avoid repeated or prolonged contact with skin or breathing of vapor. **KEEP OUT OF REACH OF CHILDREN.**



NOTE:

Gasoline spoils very quickly depending on factors such as light exposure, temperature and time.

In worst cases, gasoline can be contaminated within 30 days. Using contaminated gasoline can seriously damage the engine (carburetor clogged, valve stuck).

Such damage due to spoiled fuel is disallowed from coverage by the warranty.

To avoid this please strictly follow these recommendations:

- Only use specified gasoline (see page 18).
- Use fresh and clean gasoline.
- To slow deterioration, keep gasoline in a certified fuel container.
- If long storage (more than 30 days) is foreseen, drain fuel tank and carburetor (see page 46).

Gasolines Containing Alcohol

If you decide to use a gasoline containing alcohol (gasohol), be sure its octane rating is at least as high as that recommended by Honda.

There are two types of "gasohol": one containing ethanol, and the other containing methanol.

Do not use gasohol that contains more than 10% ethanol.

Do not use gasoline containing more than 5% methanol (methyl or wood alcohol) and that does not also contain co-solvents and corrosion inhibitors for methanol.

NOTE:

- Fuel system damage or engine performance problems resulting from the use of gasoline that contains more alcohol than recommended is not covered under the warranty.
- Before buying gasoline from an unfamiliar station, first determine if the gasoline contains alcohol, if it does, find out the type and percentage of alcohol used.

If you notice any undesirable operating symptoms while using a particular gasoline. Switch to a gasoline that you know contains less than the recommended amount of alcohol.

3. Check the air cleaner.

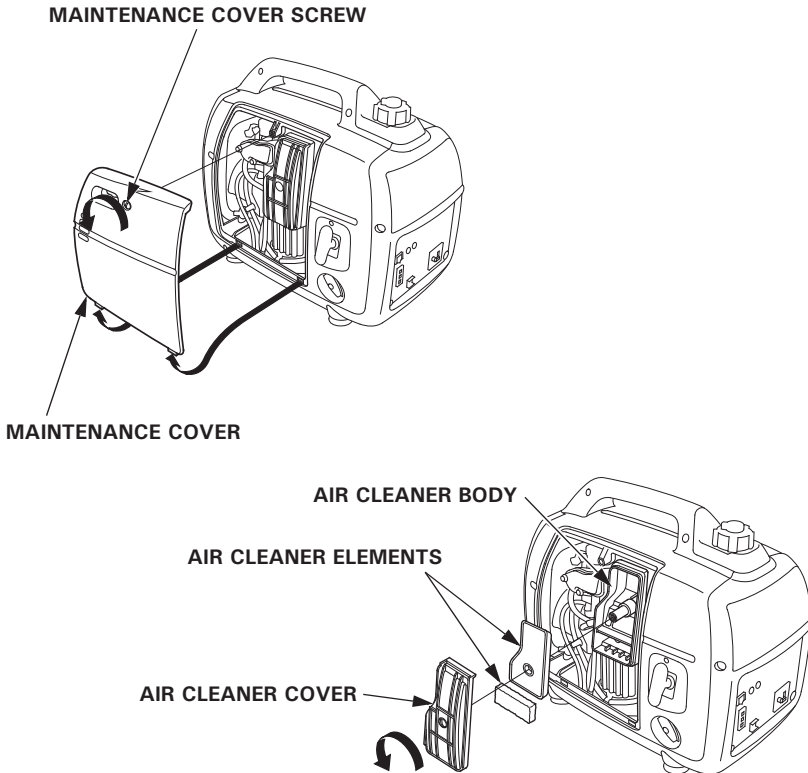
Check the air cleaner elements to be sure they are clean and in good condition.

Loosen the maintenance cover screw and remove the maintenance cover. Press the latch tab on the top of the air cleaner body, remove the air cleaner cover, check the elements.

Clean or replace the elements if necessary (see page 42).

CAUTION:

Never run the engine without the air cleaner elements. Rapid engine wear will result from contaminants, such as dust and dirt, being drawn through the carburetor, into the engine.



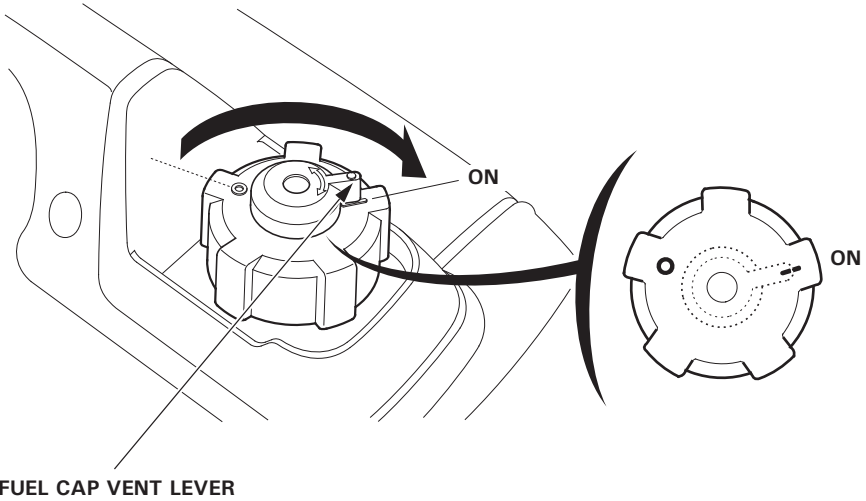
5. STARTING THE ENGINE

Before starting the engine disconnect any load from the AC receptacle.

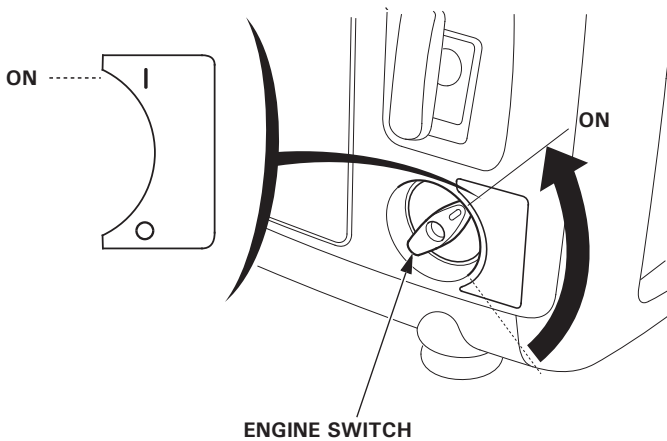
1. Turn the fuel cap lever fully clockwise to the ON position.

NOTE:

Turn the fuel tank cap vent lever to the OFF position when transporting the generator.



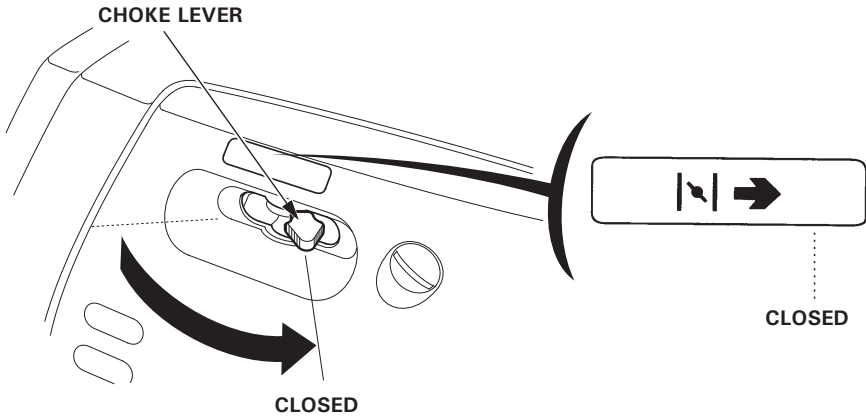
2. Turn the engine switch to the ON position.



3. Move the choke lever to the CLOSED position.

NOTE:

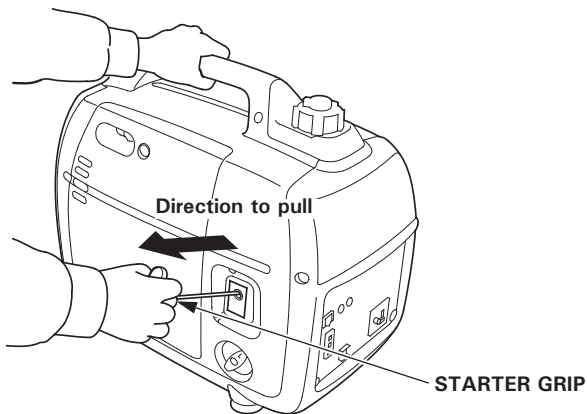
Do not use the choke when the engine is warm or the air temperature is high.



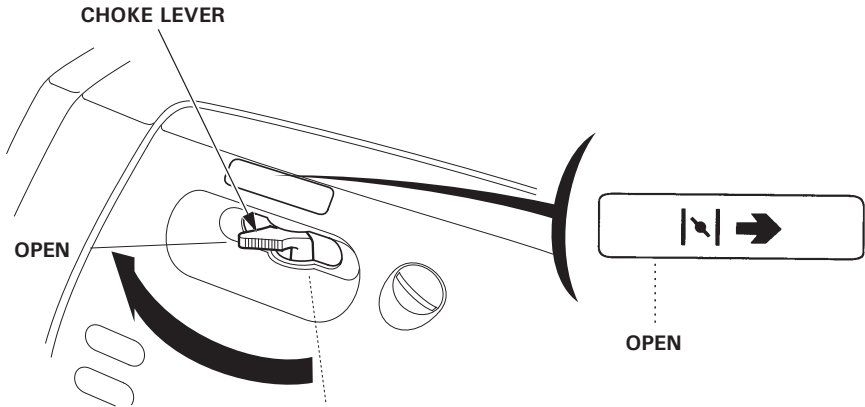
4. Pull the starter grip lightly until you feel resistance, then pull the starter grip briskly toward in the direction of the arrow as shown below.

CAUTION:

- The starter grip can be drawn back very quickly before you release it. This may pull your hand forcefully toward the engine and cause an injury.
- Do not allow the starter grip to snap back. Return it slowly by hand.



5. Move the choke lever to the OPEN position as the engine warms up.



NOTE:

If the engine stops and will not restart, check the engine oil level (see page 17) before troubleshooting in other areas.

- **Carburetor Modification for High Altitude Operation**

At high altitude, the standard carburetor air-fuel mixture will be too rich. Performance will decrease, and fuel consumption will increase. A very rich mixture will also foul the spark plug and cause hard starting. Operation at an altitude that differs from that at which this engine was certified, for extended periods of time, may increase emissions.

High altitude performance can be improved by specific modifications to the carburetor. If you always operate your generator at altitudes above 1,500 meters (5,000 feet), have your servicing dealer perform this carburetor modification. This engine, when operated at high altitude with the carburetor modifications for high altitude use, will meet each emission standard throughout its useful life.

Even with carburetor modification, engine horsepower will decrease about 3.5% for each 300-meter (1,000-foot) increase in altitude. The effect of altitude on horsepower will be greater than this if no carburetor modification is made.

CAUTION:

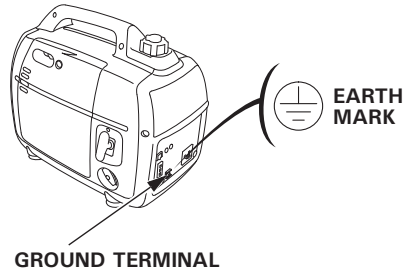
Operation of the generator at an altitude lower than the carburetor is jetted for may result in reduced performance, overheating, and serious engine damage caused by an excessively lean air/fuel mixture.

6. GENERATOR USE

The generator produces enough electric power to cause a serious shock or electrocution if misused.

Be sure to ground the generator when the connected appliance is grounded.

To ground the terminal of the generator, use a copper wire with same or larger diameter than the cord of the connected appliance.

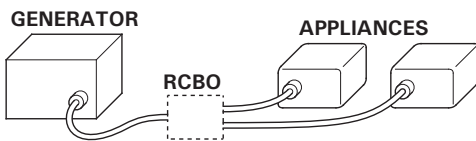


Use extension cord set with ground conductor when connecting an appliance with ground conductor.

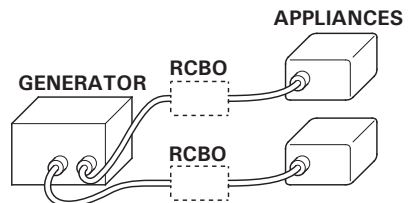
To identify the Ground pin in the plug, see RECEPTACLE page 54.

Connect a RCBO (Residual current circuit breaker with overload protection) of 30 mA ground fault detection and cut-off of less than 0.4 seconds at more than 30 A of output current, if you are using two or more appliance.

Follow the instructions provided by each RCBO manufacturer before use.



Connecting with one RCBO



Connecting with two RCBO

⚠ WARNING

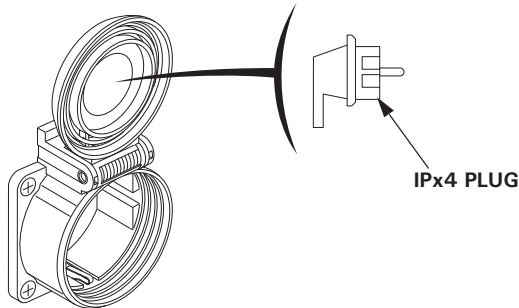
Improper connections to a building's electrical system can allow current from the generator to backfeed into the utility lines. Such backfeed may electrocute utility company workers or others who contact the lines during a power outage, and the generator may explode, burn, or cause fires when utility power is restored. Consult the utility company or a qualified electrician prior to making any power connections.

CAUTION:

- Do not exceed the current limit specified for any one receptacle.
- Do not modify or use the generator for other purposes than it is intended for. Also observe the following when using the generator.
- Do not connect an extension to the exhaust pipe.
- When an extension cable is required, be sure to use a tough rubber sheathed flexible cable (IEC 245 or equivalent).
- Limit length of extension cables; 60 m (200 feet) for cables of 1.5 mm² (0.0023 in²) and 100 m (330 feet) for cables of 2.5 mm² (0.0039 in²). Long extension cables will lower usable power due to resistance in the extension cable.
- Keep the generator away from other electric cables or wires such as commercial power supply lines.

▲WARNING**GW1 Type**

When connecting an angled plug, be sure to use only a IPx4 plug.

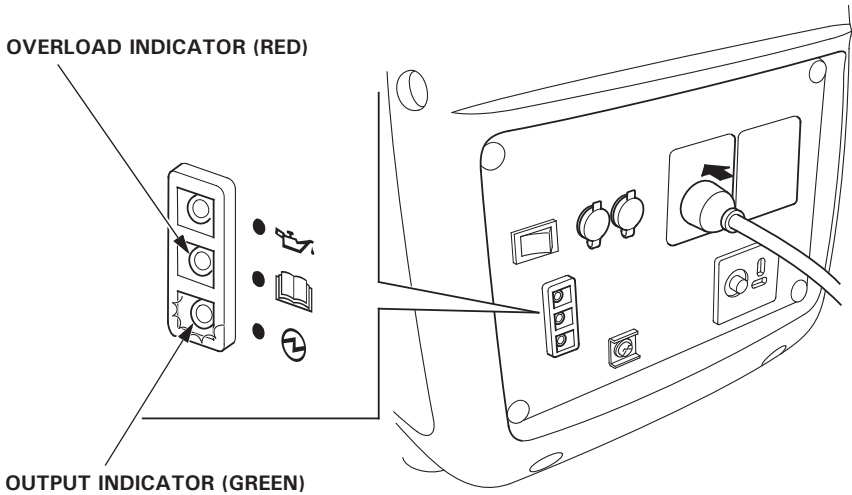


NOTE:

- The DC receptacle can be used while the AC power is in use. If you use both at the same time, do not exceed the maximum AC power.
Maximum AC power: 1.5 kVA
- Most appliance motors require more than their rated wattage for startup.
- Make sure the electrical rating of the tool or appliance does not exceed that of the generator. Never exceed the maximum power rating of the generator. Power levels between rated and maximum may be used for no more than 30 minutes.
- Substantial overloading will switch OFF the AC circuit protector (Except U type). Exceeding the time limit for maximum power operation or slightly overloading the generator may not switch the AC circuit protector OFF, but will shorten the service life of the generator.
- Limit operation requiring maximum power to 30 minutes.
Maximum power is: 2.0 kVA
- For continuous operation, do not exceed the rated power.
Rated power is: 1.6 kVA
- In either case, the total power requirements (VA) of all appliances connected must be considered.

AC applications

1. Start the engine and make sure the Output indicator (green) comes on.
2. Confirm that the appliance to be used is switched off, and plug in the appliance.



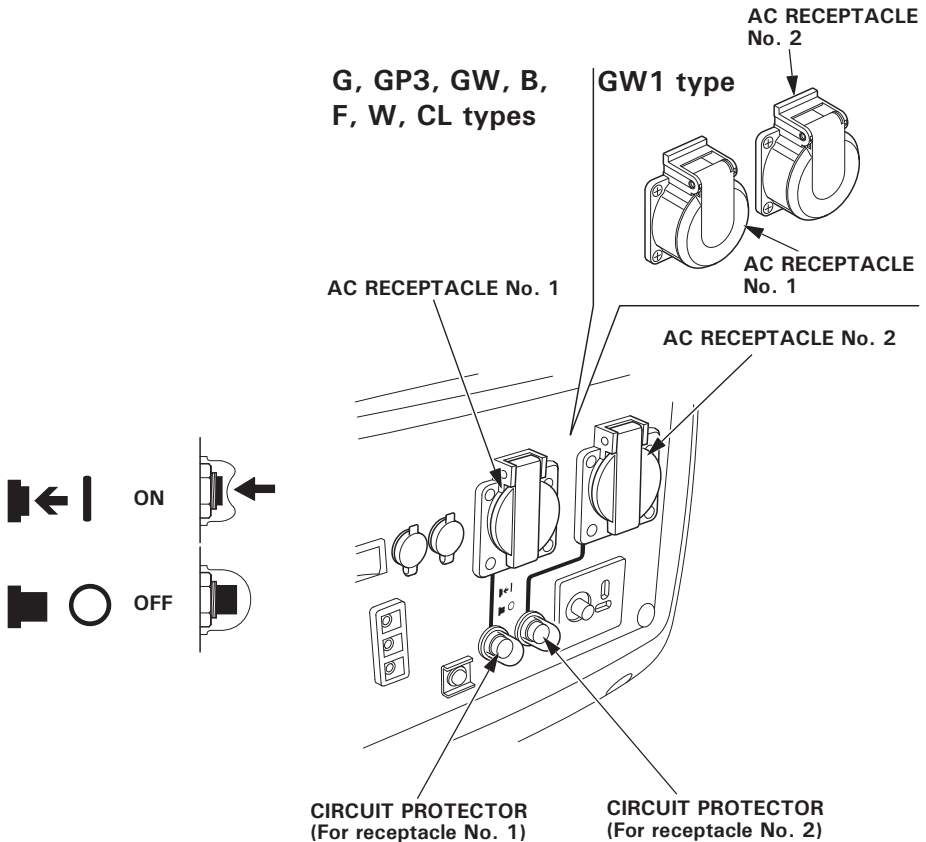
CAUTION:

- Substantial overloading that continuously lights the Overload indicator (red) may damage the generator. Marginal overloading that temporarily lights the Overload indicator (red) may shorten the service life of the generator.
- Be sure that all appliances are in good working order before connecting them to the generator. Electrical equipment (including lines and plug connections) should not be defective. If an appliance begins to operate abnormally, becomes sluggish, or stops suddenly, turn off the generator engine switch immediately. Then disconnect the appliance, and examine it for signs of malfunction.

AC Circuit Protector (G, GP3, GW, GW1, B, F, W, CL types)

The AC circuit protectors will automatically switch OFF (push button comes out) if there is a short circuit or a significant overload of the generator at receptacle.

If an AC circuit protector switches OFF automatically, check that the appliance is working properly and does not exceed the rated load capacity of the circuit before resetting the AC circuit protector ON (pushing the push button in).



Output and Overload Indicators

The Output indicator (green) will remain on during normal operating conditions.

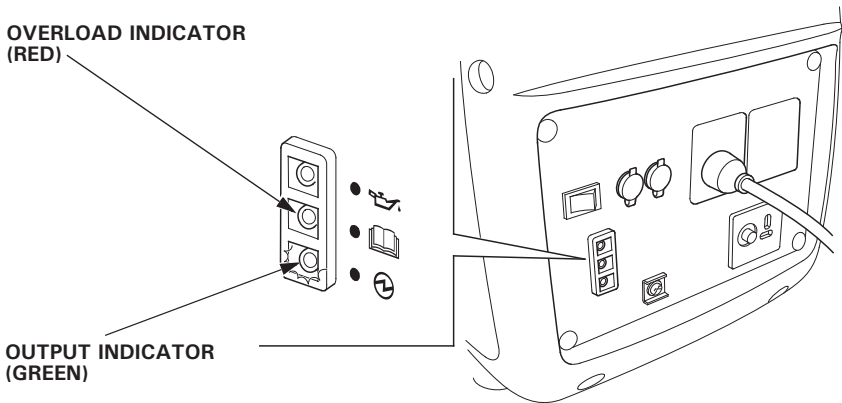
In addition, the Output indicator has a simplified hour meter function. When you start the engine, the indicator blinks according to the generator's cumulative operating hours as follows:

- No blinks: 0–100 hours
- 1 blink: 100–200 hours
- 2 blinks: 200–300 hours
- 3 blinks: 300–400 hours
- 4 blinks: 400–500 hours
- 5 blinks: 500 or more hours

If the generator is overloaded (see page 27), or if there is a short in the connected appliance, the Output indicator (green) will go off, the Overload indicator (red) will come on and current to the connected appliance will be shut off.

Stop the engine if the Overload indicator (red) comes on and investigate the overload source.

- Before connecting an appliance to the generator, check that it is in good order, and that its electrical rating does not exceed that of the generator. Then connect the power cord of the appliance, and start the engine.



NOTE:

When an electric motor is started, both the Overload indicator (red) and the Output indicator (green) may come on simultaneously. This is normal if the Overload indicator (red) goes off after about 4 seconds. If the Overload indicator (red) stays on, consult your Honda generator dealer.

Parallel operation

Please read the item "GENERATOR USE" before connecting any equipment to be used.

Use only a Honda approved receptacle box for parallel operation (optional) when connecting two EU20i generators for parallel operation.

Make sure that the electrical rating of the tool or appliance does not exceed that of the generator. Never exceed the maximum power rating of the generator. Power levels between rated and maximum may be used for no more than 30 minutes.

Limit operation requiring maximum power to 30 minutes.

Maximum power in parallel operation is:

Except U type : 3.6 kVA

U type : 4.0 kVA

For continuous operation, do not exceed the rated power.

Rated power in parallel operation is: 3.2 kVA

In either case, the total power requirements (VA) of all appliances connected must be considered.

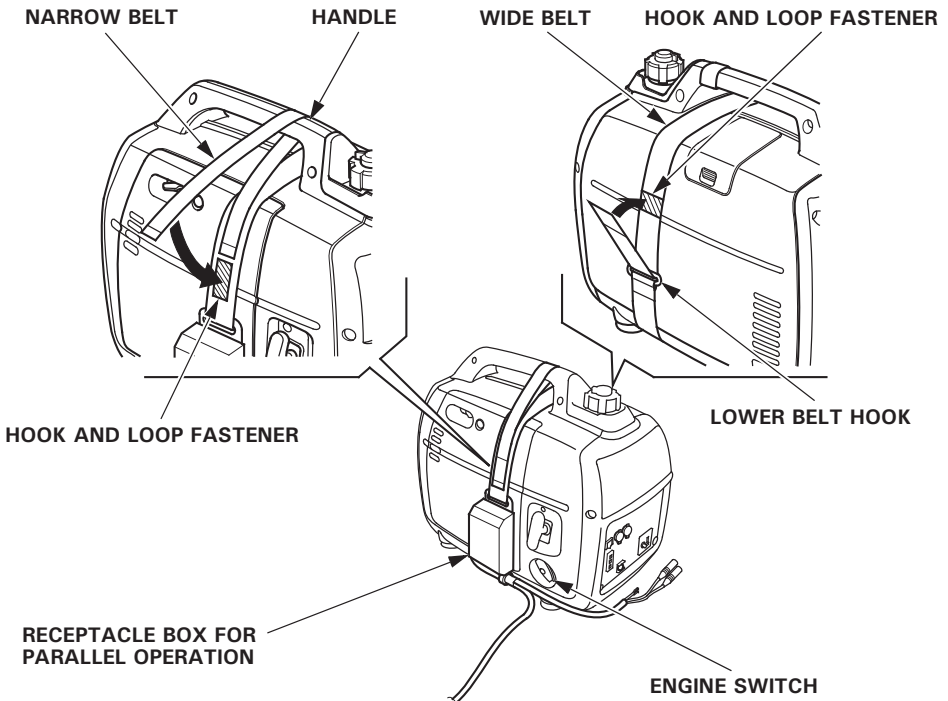
CAUTION:

Substantial overloading that continuously lights the Overload indicator (red) may damage the generator. Marginal overloading that temporarily lights the Overload indicator (red) may shorten the service life of the generator.

▲ WARNING

- **Never connect the different generator models and types.**
- **Never connect a cable other than the receptacle box for parallel operation.**
- **Connect and remove the receptacle box for parallel operation with the engine stopped.**
- **For single operation, the receptacle box for parallel operation must be removed.**

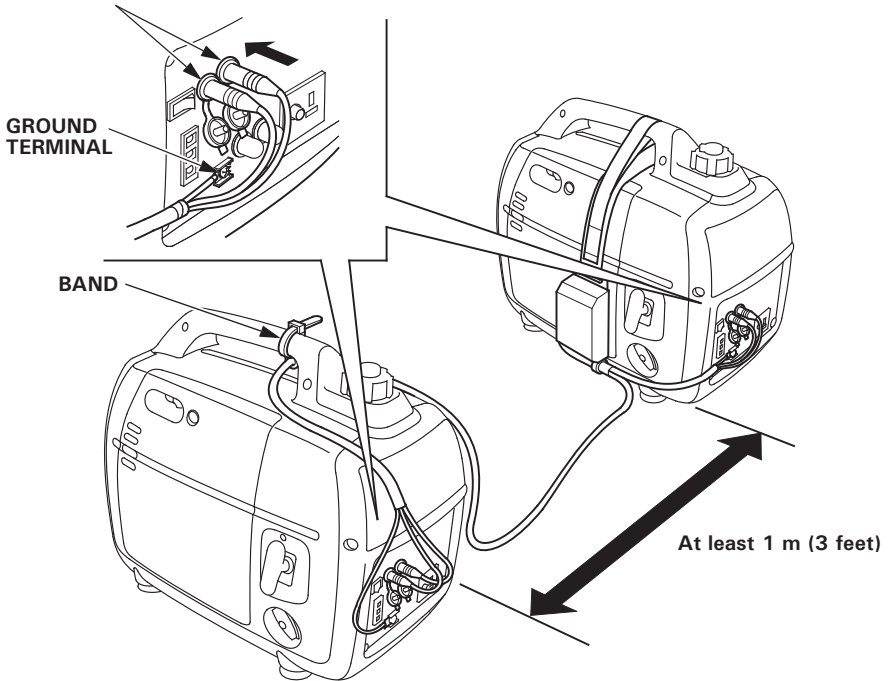
1. Install the receptacle box for parallel operation on to the one generator and secure it with setting band as shown.
 - Set the belt on the front side of the handle.
 - Secure the narrow belt to the handle with the hook and loop fastener.
 - Pass the upper wide belt through the lower belt hook and secure with the hook and loop fastener.
 - Route the receptacle box wires under the engine switch.
 - Install the belts so they are not slack.



2. Connect the cable connectors and ground terminals of the receptacle box for parallel operation to the generators and secure the cord clamp to handle.

- Place two generators at least 1 meter (3 feet) away from each other during parallel operation.
- Route the wire through the handle and clamp it to the handle using the band.
- Take care not to slacken the wire toward the starter grip side.
- Connect the longer wire to the generator on which the receptacle box for parallel operation is not installed.
- Do not set the generators with the exhaust side face to face each other.

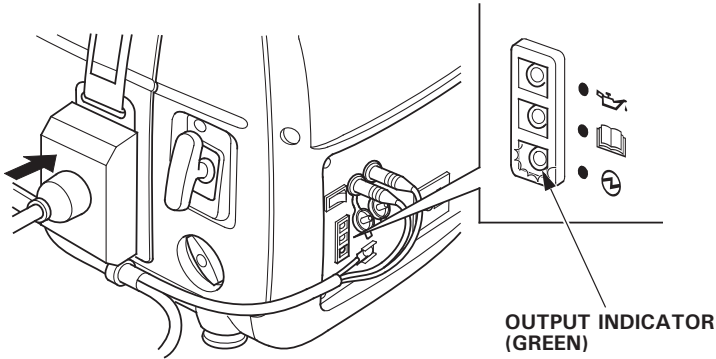
CABLE CONNECTORS



3. Connect the ground terminal of one generator to the ground.

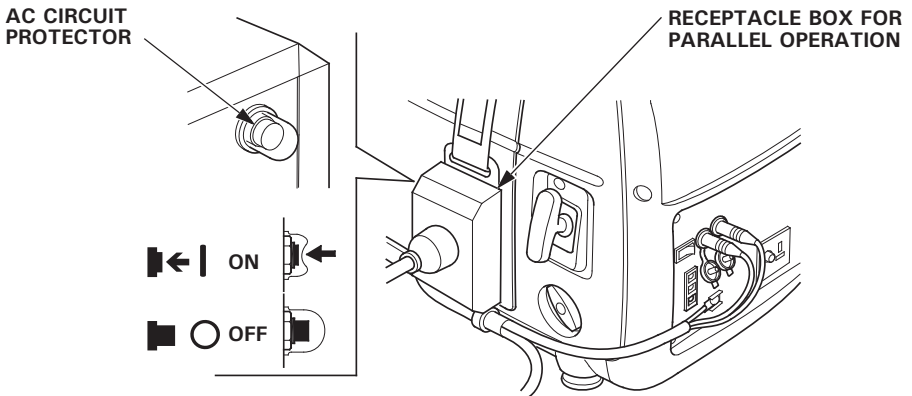
- When an appliance is connected to the ground, connect the generator to the ground as well.

4. Start the engines and make sure the Output indicators (green) come on.
5. Confirm that the appliance to be used is switched off, and plug in the appliance.
6. Switch on the equipment to be used.



AC Circuit Protector (Except U type)

The AC circuit protector on the receptacle box for parallel operation will automatically switch OFF (push button comes out) if there is a short circuit or a significant overload of the generator at receptacle. If an AC circuit protector switches OFF automatically, check that the appliance is working properly and does not exceed the rated load capacity (16 A) of the circuit before resetting the AC circuit protector ON (pushing the push button in).



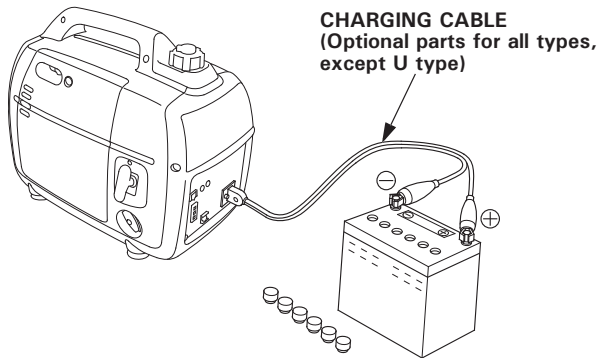
DC application

The DC receptacle may be used for charging 12 volt automotive-type batteries only.

NOTE:

In DC operation, turn the Eco Throttle switch to the OFF position.

1. Connect the charging cable to the DC receptacle of the generator and then to the battery terminals.



⚠ WARNING

- To prevent the possibility of creating a spark near the battery, connect charging cable first to the generator, then to the battery. Disconnect cable first at the battery.
- Before connecting charging cable to a battery that is installed in a vehicle, disconnect the vehicle's battery cable. Reconnect the vehicle's battery cable after the charging cables are removed. This procedure will prevent the possibility of a short circuit and sparks if you make accidental contact between a battery terminal and the vehicle's frame or body.

CAUTION:

- Do not attempt to start an automobile engine with the generator still connected to the battery. The generator may be damaged.
- Connect the positive battery terminal to the positive charging cord. Do not reverse the charging cables, or serious damage to the generator and/or battery may occur.

▲WARNING

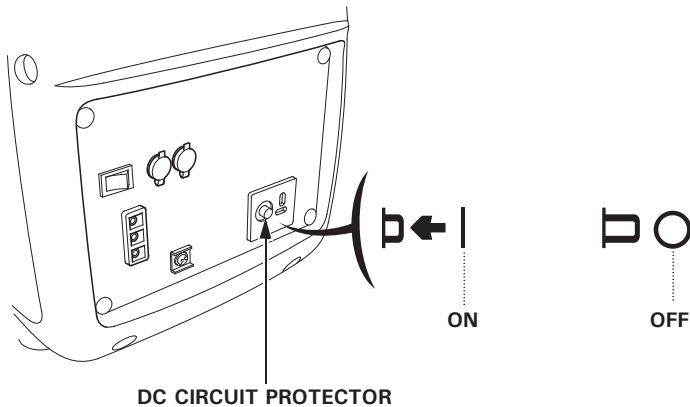
- **Batteries produce explosive gases:** If ignited, and explosion can cause serious injury or blindness. Provide adequate ventilation when charging.
- **CHEMICAL HAZARD:** Battery electrolyte contains sulfuric acid. Contact with eyes or skin, even through clothing, may cause severe burns. Wear a faceshield and protective clothing.
- **Keep flames and sparks away, and do not smoke in the area.**
ANTIDOTE: If electrolyte gets into your eyes, flush thoroughly with warm water for at least 15 minutes and call a physician immediately.
- **POISON:** Electrolyte is poison.
ANTIDOTE
 - **External:** Flush thoroughly with water.
 - **Internal:** Drink large quantities of water or milk.
Follow with milk of magnesia or vegetable oil, and call a physician immediately.
- **KEEP OUT OF REACH OF CHILDREN.**

2. Start the engine.

NOTE:

- The DC receptacle can be used while the AC power is in use.
- An overload DC circuit will trip the DC circuit protector (push button comes out).

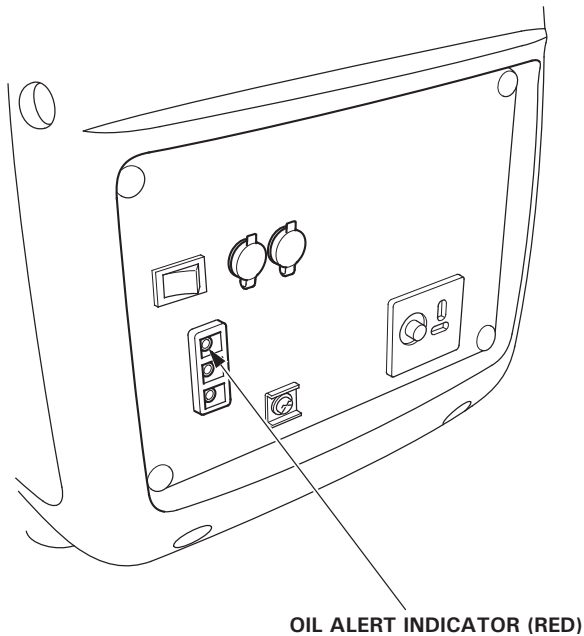
If this happens, wait a few minutes before pushing in the circuit protector to resume operation.



Oil Alert system

The Oil Alert system is designed to prevent engine damage caused by an insufficient amount of oil in the crankcase. Before the oil level in the crankcase falls below a safe limit, the Oil Alert system will automatically shut down the engine (the engine switch will remain in the ON position).

If the Oil Alert system shuts down the engine, the Oil Alert indicator (red) will come on when you operate the starter, and the engine will not run. If this occurs, check the engine oil level (see page 17).

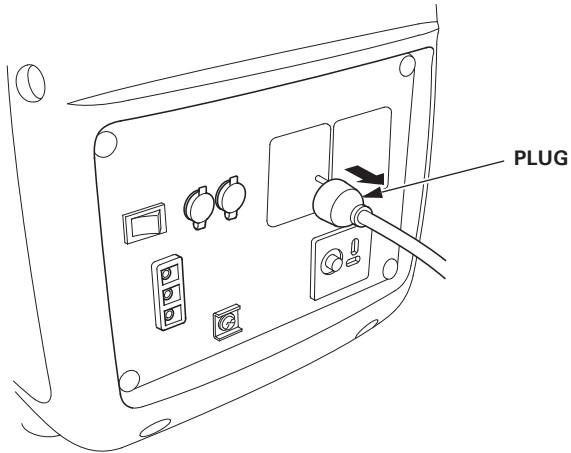


7. STOPPING THE ENGINE

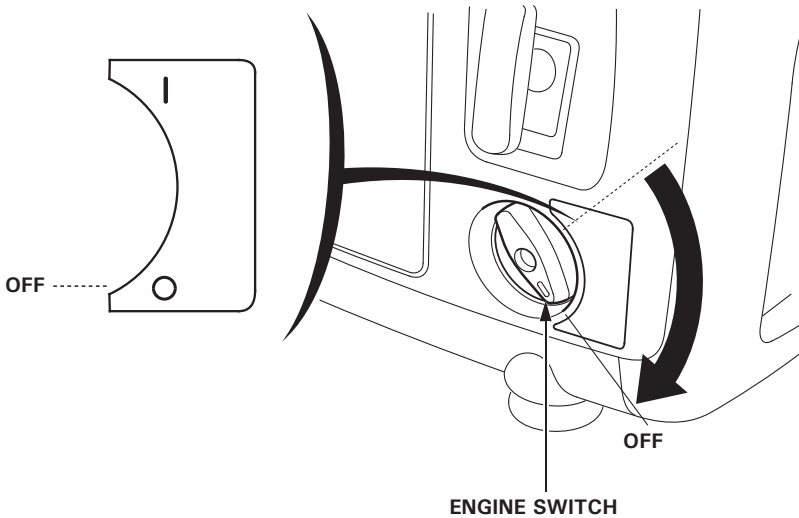
To stop the engine in an emergency, turn the engine switch to the OFF position.

IN NORMAL USE:

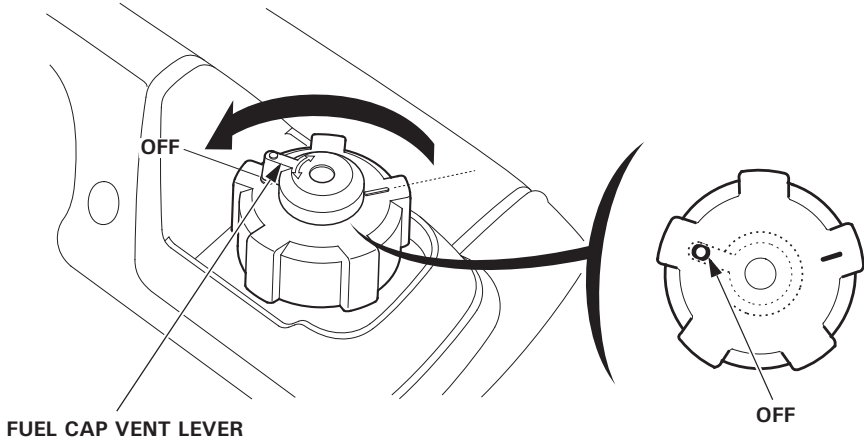
1. Switch off the connected equipment and pull the inserted plug.



2. Turn the engine switch to the OFF position.



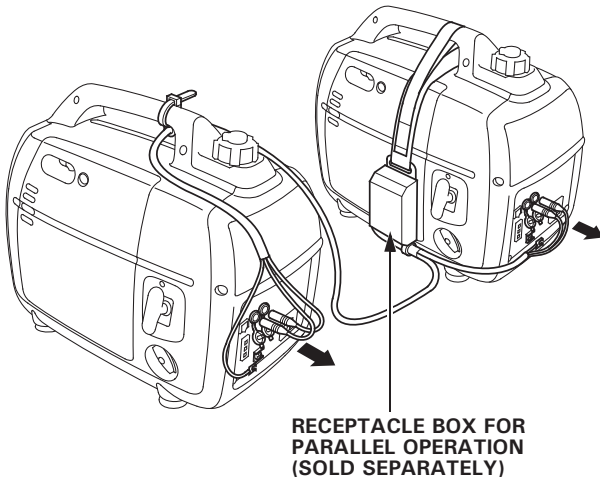
3. Turn the fuel cap vent lever fully counterclockwise to the OFF position.



CAUTION:

Be sure the fuel cap vent lever and the engine switch are in the OFF position when stopping, transporting and/or storing the generator.

4. When parallel operation has been executed, pull the receptacle box for parallel operation.



8. MAINTENANCE

The purpose of the maintenance and adjustment schedule is to keep the generator in the best operating condition.

Inspect or service as scheduled in the table below.

▲WARNING

Make sure the engine is off before you begin any maintenance or repairs. This will eliminate several potential hazards:

- Carbon monoxide poisoning from engine exhaust. Be sure there is adequate ventilation whenever you operate the engine.
- Burns from hot parts. Let the engine and exhaust system cool before touching.
- Injury from moving parts. Do not run the engine unless instructed to do so.

The muffler becomes very hot during operation and remains hot for a while after stopping the engine. Be careful not to touch the muffler while it is hot. Let the engine cool before maintenance.

CAUTION:

Use Honda Genuine parts or their equivalent. The use of replacement parts which are not of equivalent quality may damage the generator.

Maintenance Schedule

ITEM	REGULAR SERVICE PERIOD (1) Perform at every indicated month or operating hour interval, whichever comes first.	Each use	First month or 20 hrs.	Every 3 months or 50 hrs.	Every 6 months or 100 hrs.	Every years or 200 hrs.
	Engine oil	Check level Change	o	o		o
Air cleaner	Check Clean	o		o (2)		
Spark plug	Check-adjust Replace				o	o
Valve Clearance	Check-adjust					o (3)
Combustion chamber	Clean	After every 300 hrs (3)				
Fuel tank & filter	Clean				o (3)	
Fuel tube	Check	Every 2 years (Replace if necessary) (3)				

NOTE: (1) For commercial use, log hours of operation to determine proper maintenance intervals.

(2) Service more frequently when used in dusty areas.

(3) These items should be serviced by your servicing dealer, unless you have the proper tools and are mechanically proficient. Refer to the Honda shop manual for service procedures.

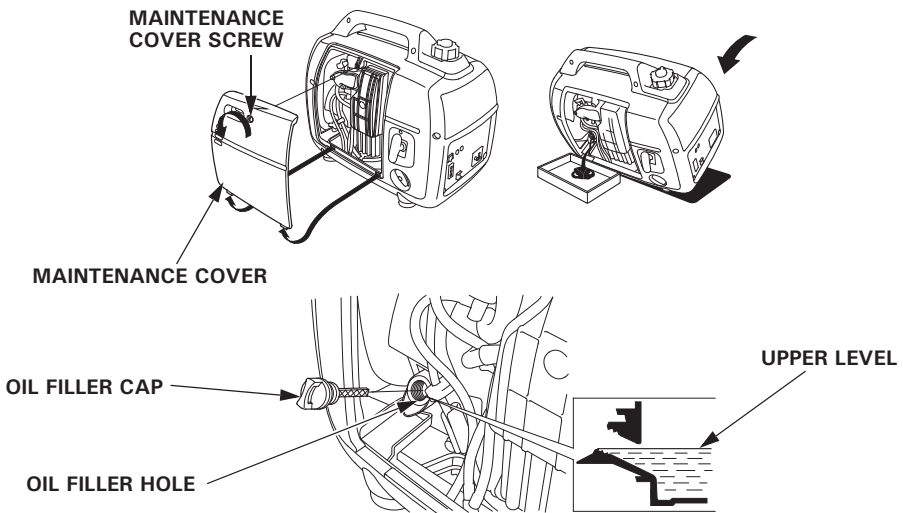
1. CHANGING OIL

Drain the oil while the engine is still warm to assure rapid and complete draining.

CAUTION:

Make sure to turn the engine switch and the fuel cap vent lever to the OFF position before draining.

1. Loosen the maintenance cover screw and remove the maintenance cover.
2. Remove the oil filler cap.
3. Drain dirty oil into a suitable container thoroughly.
4. Refill with the recommended oil (see page 16) and check the oil level.
5. Wipe off all the spilled oil from the generator.
6. Reinstall the maintenance cover and tighten the cover screw securely.



Wash your hands with soap and water after handling used oil.

NOTE:

Please dispose of used motor oil in a manner that is compatible with the environment. We suggest you take it in a sealed container to your local service station for reclamation. Do not throw it in the trash or pour it on the ground.

2. AIR CLEANER SERVICE

A dirty air cleaner will restrict air flow to the carburetor. To prevent carburetor malfunction, service the air cleaner regularly. Service more frequently when operating the generator in extremely dusty areas.

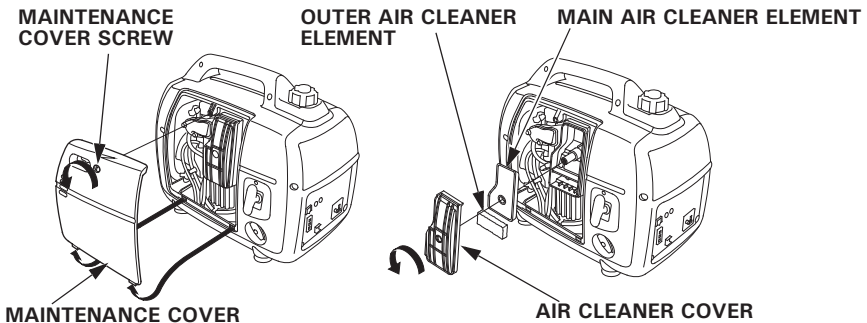
▲WARNING

Do not use gasoline or low flash point solvents for cleaning. They are flammable and explosive under certain conditions.

CAUTION:

Never run the generator without the air cleaner. Rapid engine wear may result.

1. Loosen the maintenance cover screw and remove the maintenance cover.
2. Loosen the air cleaner cover screw, and remove the air cleaner cover.



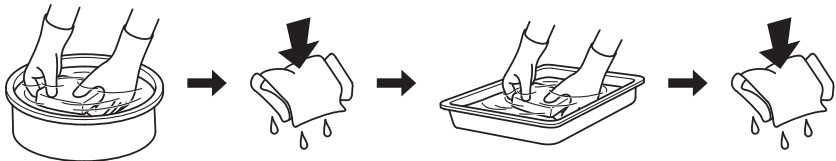
3. Clean in warm soapy water, rinse and allow to dry thoroughly. Or clean in high flash point solvent and allow to dry. Dip the main and outer air cleaner elements in clean engine oil and squeeze out all the excess. The engine will smoke during initial startup if too much oil is left in the foam.

Clean

Squeeze and dry
Do not twist.

Dip in oil

Squeeze
Do not twist.



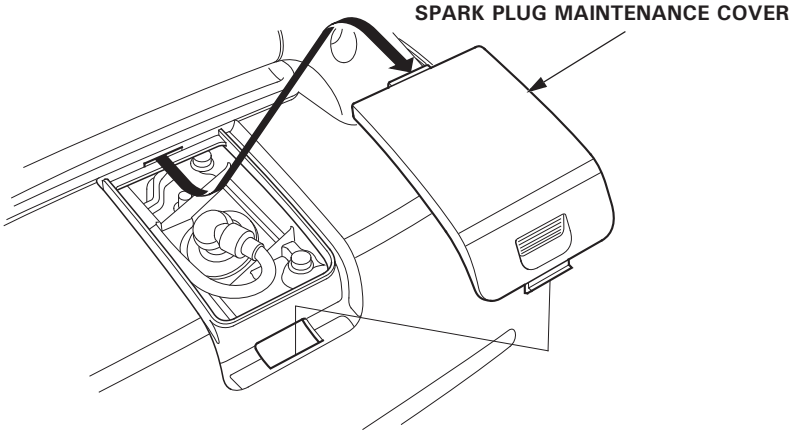
4. Reinstall the main and outer air cleaner elements and the air cleaner cover. Tighten the cover screw securely.
5. Reinstall the maintenance cover and tighten the cover screw securely.

3. SPARK PLUG SERVICE

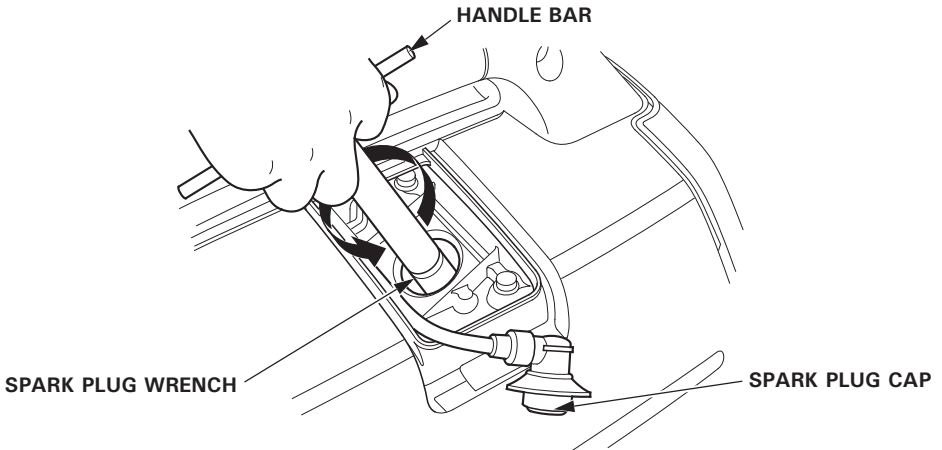
RECOMMENDED SPARK PLUG: CR5HSB (NGK)

To ensure proper engine operation, the spark plug must be properly gapped and free of deposits.

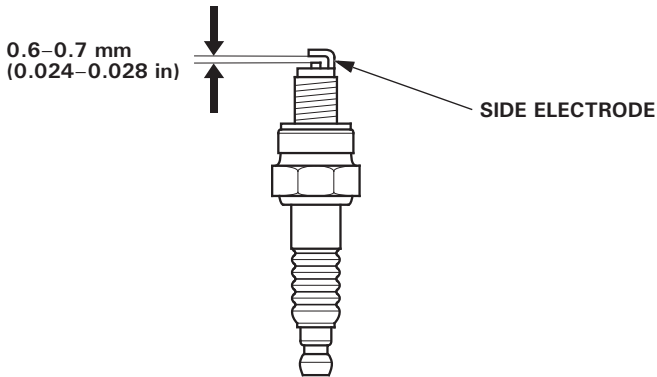
1. Remove the spark plug maintenance cover.



2. Remove the spark plug cap.
3. Clean any dirt from around the spark plug base.
4. Use a spark plug wrench to remove the spark plug.



-
5. Visually inspect the spark plug. Discard it if the insulator is cracked, chipped, or fouled. Clean the spark plug with a wire brush if it is to be reused.
 6. Measure the plug gap with a feeler gauge. Correct as necessary by carefully bending the side electrode. The gap should be:
0.6–0.7 mm (0.024–0.028 in)



7. Install the spark plug carefully by hand, to avoid cross-threading.
8. After a new spark plug has been seated by hand, it should be tightened 1/2 turn with a wrench to compress its washer. If a used plug is being reinstalled, it should only require 1/8 to 1/4 turn after being seated.
9. Reinstall the spark plug cap on the spark plug securely.
10. Reinstall the spark plug maintenance cover.

CAUTION:

- The spark plug must be securely tightened. An improperly tightened plug can become very hot and possibly damage the generator.
- Never use a spark plug with an improper heat range.

9. TRANSPORTING/STORAGE

To prevent fuel spillage when transporting or during temporary storage, the generator should be secured upright in its normal operating position, with the engine switch OFF.

The fuel cap vent lever is turned fully counterclockwise to the OFF position.

Allow the engine to cool well before turning the fuel cap vent lever to the OFF position.

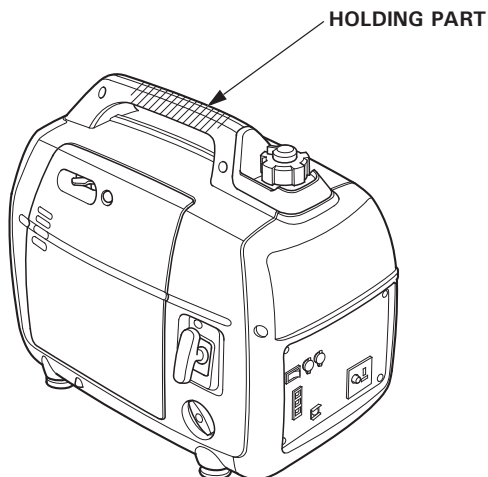
▲WARNING

When transporting the generator:

- Do not overfill the tank (there should be no fuel in the filler neck).
- Do not operate the generator while it is on a vehicle. Take the generator off the vehicle and use it in a well ventilated place.
- Avoid a place exposed to direct sunlight when putting the generator on a vehicle. If the generator is left in an enclosed vehicle for many hours, high temperature inside the vehicle could cause fuel to vaporize resulting in a possible explosion.
- Do not drive on a rough road for an extended period with the generator on board. If you must transport the generator on a rough road, drain the fuel from the generator beforehand.

NOTE:

To transport the generator, hold the holding part (shaded areas in the figure below).



Before storing the unit for an extended period:

1. Be sure the storage area is free of excessive humidity and dust.
2. Drain the fuel.

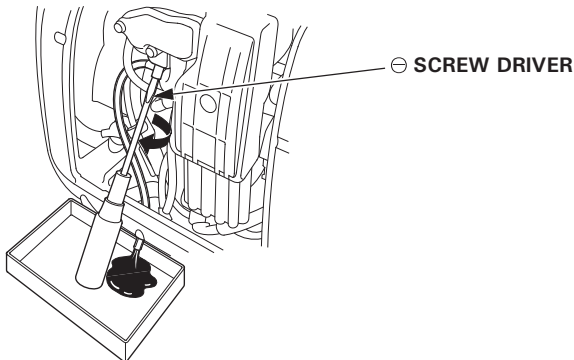
▲WARNING

Gasoline is extremely flammable and is explosive under certain conditions. Perform this task in a well ventilated area with the engine stopped. Do not smoke or allow flames or sparks in the area during this procedure.

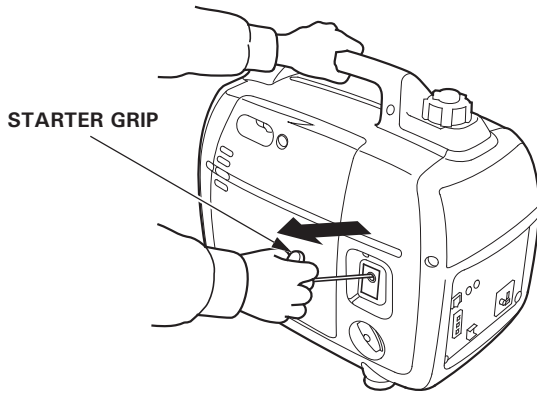
- a. Unscrew the fuel filler cap and remove the fuel filter.
- b. Drain all gasoline from the fuel tank into an approved gasoline container. We recommend using a commercially available gasoline hand pump. Do not use an electric pump.



- c. Turn the engine switch to the ON position, and loosen the carburetor drain screw and drain the gasoline from the carburetor into a suitable container.
- d. With the drain screw loosened remove the spark plug cap, and pull the starter grip 3 to 4 times to drain the gasoline from the fuel pump.
- e. Turn the engine switch to the OFF position, and tighten the drain screw securely.
- f. Reinstall the spark plug cap on the spark plug securely.

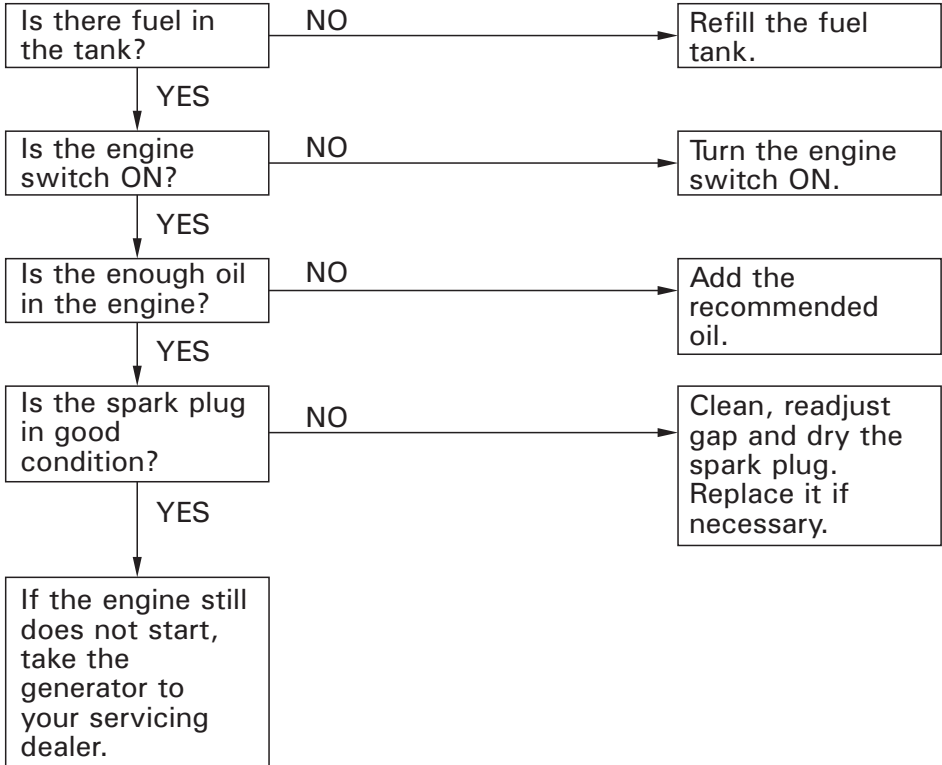


-
3. Change the engine oil.
 4. Remove the spark plug and pour about a tablespoon of clean engine oil into the cylinder. Crank the engine several revolutions to distribute the oil, then reinstall the spark plug.
 5. Slowly pull the starter grip until resistance is felt. At this point, the piston is coming up on its compression stroke and both the intake and exhaust valves are closed. Storing the engine in this position will help to protect it from internal corrosion.

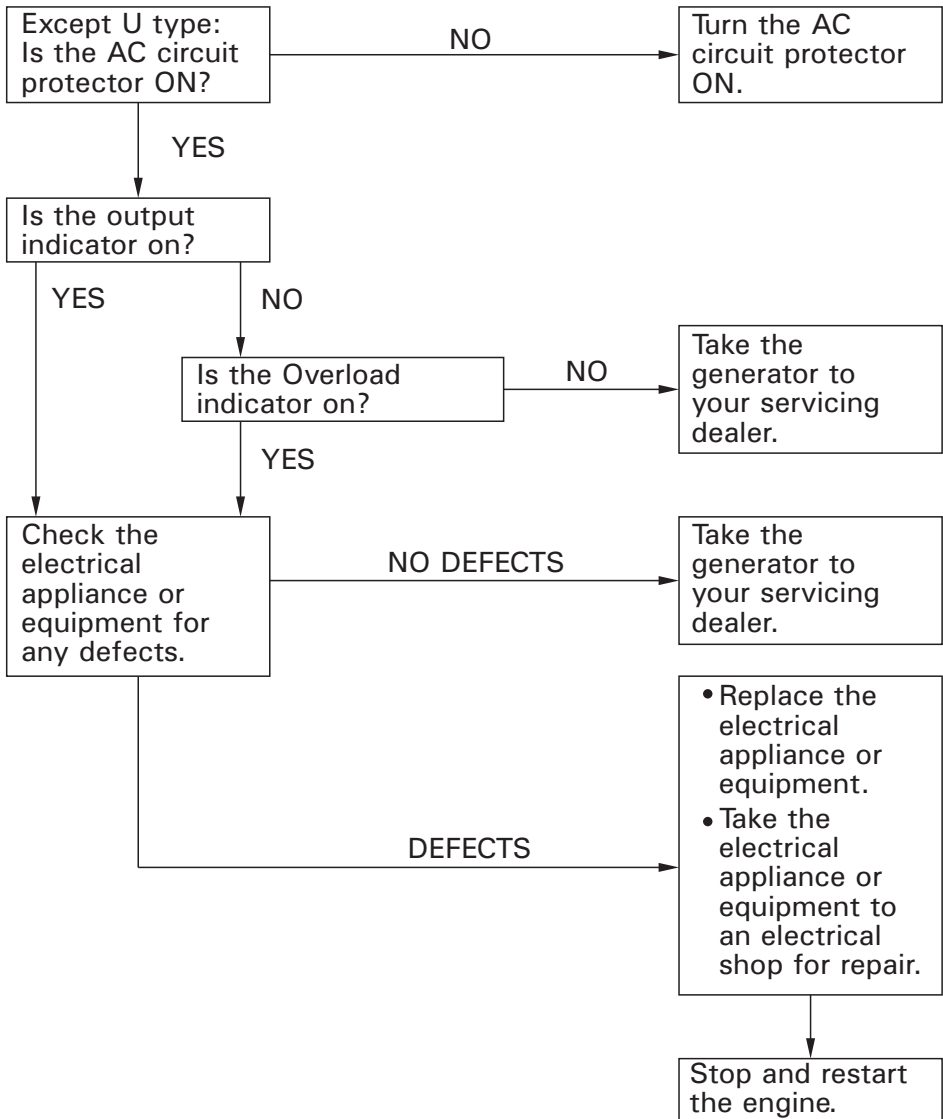


10. TROUBLESHOOTING

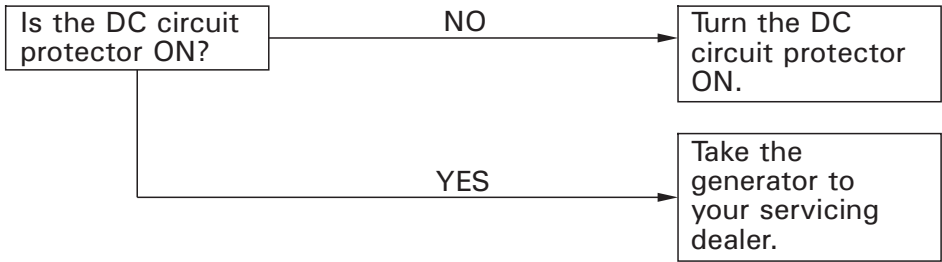
When the engine will not start:



Appliance does not operate:



No electricity at the DC receptacle:



11. SPECIFICATIONS

Dimensions and Weight

Model	EU20i	
Type	G, GP3, GW, B, F, W, CL, U	GW1
Description code	EAAJ	
Length	512 mm (20.2 in)	521 mm (20.5 in)
Width	290 mm (11.4 in)	
Height	425 mm (16.7 in)	
Dry weight	20.7 kg (45.6 lbs)	

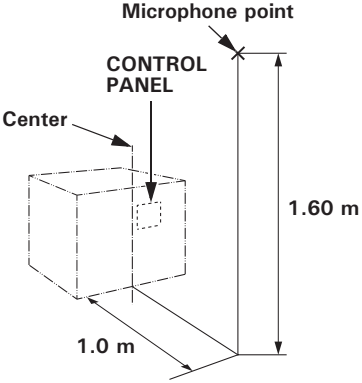
Engine

Model	GX100	
Engine type	4-stroke, overhead camshaft, single cylinder	
Displacement	98.5 cm ³ (6.01 cu-in)	
Bore × Stroke	56.0 × 40.0 mm (2.20 in × 1.57 in)	
Compression ratio	8.5:1	
Engine speed	3,000–5,000 rpm 4,300–5,000 rpm (with eco throttle switch OFF)	
Cooling system	Forced air	
Ignition system	Full transistor	
Oil capacity	0.4 L (0.42 US qt, 0.35 Imp qt)	
Fuel tank capacity	3.6 L (3.80 US gal, 3.17 Imp gal)	
Spark plug	CR5HSB (NGK)	

Generator

Model	EU20i		
Type	G, GP3, GW, GW1, B, F, W, CL	U	
AC output	Rated voltage (V)	230	240
	Rated frequency (Hz)	50	
	Rated Ampere (A)	7.0	6.7
	Rated Output (kVA)	1.6	
	Max Output (kVA)	2.0	
DC rated output	Only for charging 12 V automotive batteries. 12 V, 8 A		

Noise

Model	EU20i	
Type	G, GP3, GW, GW1, B, F, W, CL	U
Sound pressure level at the workstation (2006/42/EC)	71 dB (A)	–
		
Uncertainty	2 dB (A)	–
Measured sound power level (2000/14/EC, 2005/88/EC)	87 dB (A)	–
Uncertainty	2 dB (A)	–
Guaranteed sound power level (2000/14/EC, 2005/88/EC)	89 dB (A)	–

“the figures quoted are emission levels and are not necessarily safe working levels. Whilst there is a correlation between the emission and exposure levels, this cannot be used reliably to determine whether or not further precautions are required. Factors that influence the actual level of exposure of work-force include the characteristics of the work room, the other sources of noise, etc. i.e. the number of machines and other adjacent processes, and the length of time for which an operator is exposed to the noise. Also the permissible exposure level can vary from country. This information, however, will enable the user of the machine to make a better evaluation of the hazard and risk”.

NOTE:

Specifications are subject to change without notice.

12. WIRING DIAGRAM

INDEX

(See inside back cover)

G, GP3, GW, GW1, B, F, W, CL Types	W-1
U Type	W-2

ABBREVIATIONS

Symbol	Part name
AC, CP	AC Circuit Protector
ACOR	AC Output Receptacle
(B)	B Type
Cot	Parallel operation socket
CPB	Control Panel Block
DC, CP	DC Circuit Protector
DC, D	DC Diode
DC, NF	DC Noise Filter
DCOR	DC Output Receptacle
DC, W	DC Winding
EcoSw	Eco throttle switch
EgB	Engine Block
EgG	Engine Ground
ESw	Engine Switch
ExW	Exciter Winding
FrB	Frame Block
FrG	Frame Ground
(F)	F Type
(G)	G, GW, GW1, GP3, CL Types
GeB	Generator Block
GT	Ground Terminal
IgC	Ignition Coil
IU	Inverter Unit
MW	Main Winding
OAL	Oil Alert Indicator
OI	Overload Indicator
OLS ^w	Oil Level Switch
PC	Pulser Coil
PL	Output Indicator
RBx	Receptacle Box for Parallel Operation
SP	Spark Plug
SpU	Spark Unit






Symbol	Part name
StpM	Stepping Motor (Throttle Control)
SW	Sub Winding
To Ge	To Generator
(W)	W Type

WIRE COLOR CODE

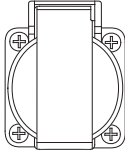

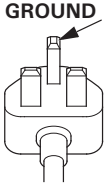
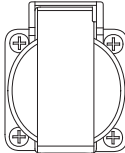

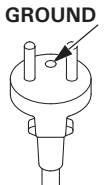
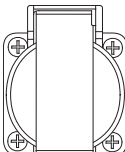

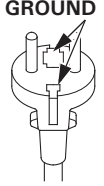
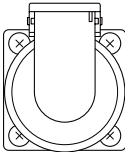
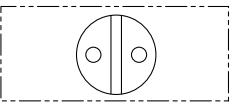
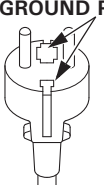
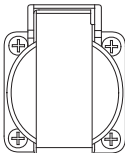

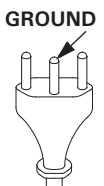
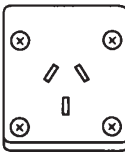

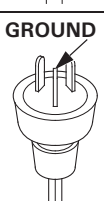
Bl	BLACK
Y	YELLOW
Bu	BLUE
G	GREEN
R	RED
W	WHITE
Br	BROWN
Lg	LIGHT GREEN
Gr	GRAY
Sb	SKY BLUE
O	ORANGE
P	PINK

SWITCH CONNECTIONS

ECO THROTTLE SWITCH

		COM (-)	SW
ON			
			
			
OFF			

RECEPTACLE

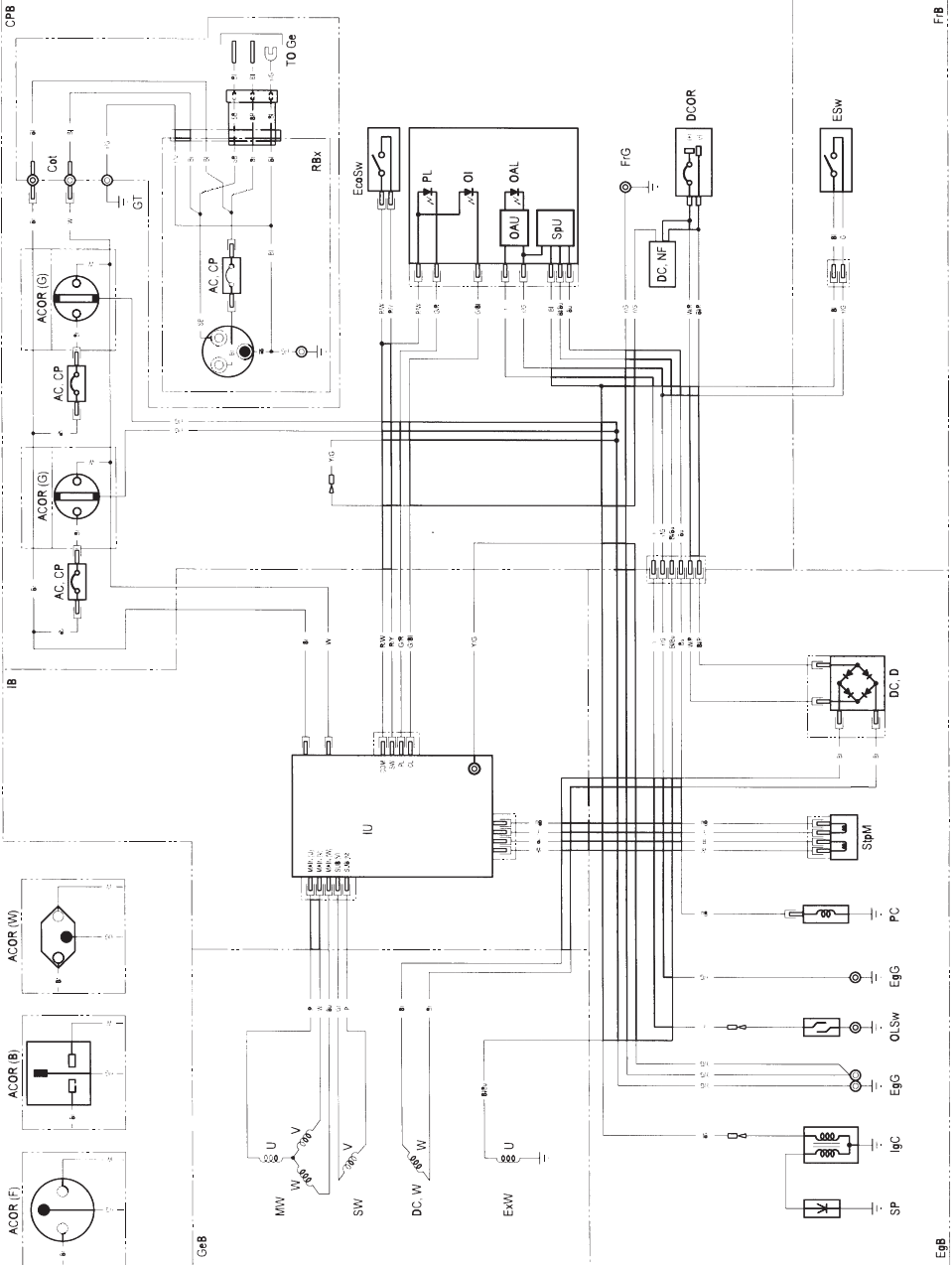
Type	Shape		Plug
B			
F			
G, GP3, GW, CL			
GW1			
W			
U			

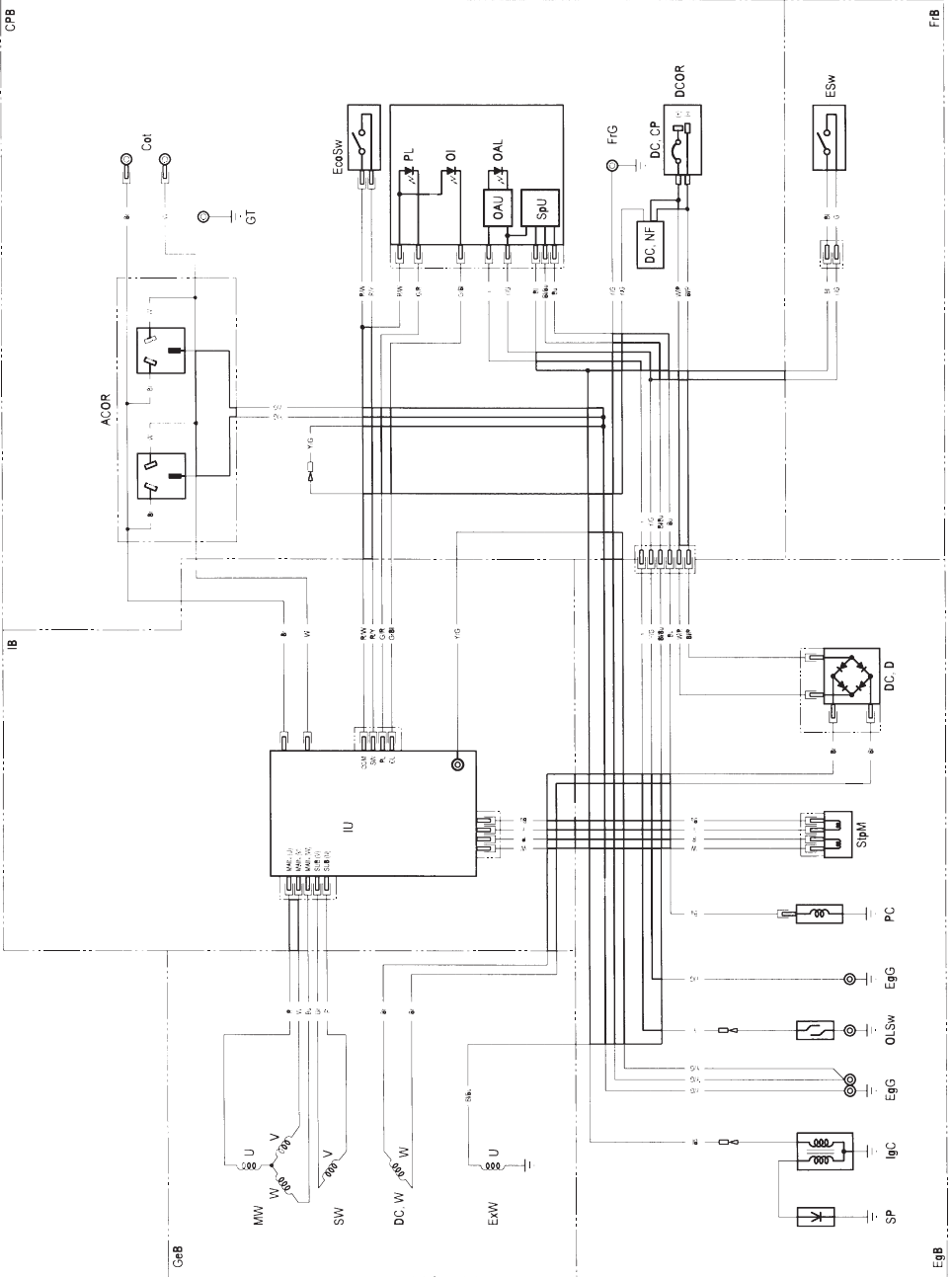
WIRING DIAGRAM

SCHÉMA DE CABLAGE

SCHALTPLAN

DIAGRAMA DE CONEXIONES





MAJOR Honda DISTRIBUTOR ADDRESSES

For further information, please contact Honda Customer Information Centre at the following address or telephone number:

ADRESSES DES PRINCIPAUX DISTRIBUTEURS Honda

Pour plus d'informations, s'adresser au Centre d'informations clients Honda à l'adresse ou numéro de téléphone suivants:

ADRESSEN DER HAUPT-Honda-VERTEILER

Weitere Informationen erhalten Sie gerne vom Honda-Kundeninformationszentrum unter der folgenden Adresse oder Telefonnummer:

DIRECCIONES DE LOS PRINCIPALES CONCESIONARIOS Honda

Para obtener más información, póngase en contacto con el Centro de información para clientes Honda en la dirección o número de teléfono siguientes:

AUSTRIA

Honda Austria GmbH

Hondastraße 1

2351 Wiener Neudorf

Tel. : +43 (0)2236 690 0

Fax : +43 (0)2236 690 480

<http://www.honda.at>

✉ HondaPP@honda.co.at

BALTIC STATES (Estonia/Latvia/ Lithuania)

Honda Motor Europe Ltd.

Estonian Branch

Tulika 15/17

10613 Tallinn

Tel. : +372 6801 300

Fax : +372 6801 301

✉ honda.baltic@honda.eu.com.

BELGIUM

Honda Belgium

Doornveld 180-184

1731 Zellik

Tel. : +32 2620 10 00

Fax : +32 2620 10 01

<http://www.honda.be>

✉ BH_PE@HONDA-EU.COM

BULGARIA

Kirov Ltd.

49 Tsaritsa Yoana blvd

1324 Sofia

Tel. : +359 2 93 30 892

Fax : +359 2 93 30 814

<http://www.kirov.net>

✉ honda@kirov.net

CROATIA

Hongoldonia d.o.o.

Vrbaska 1c

31000 Osijek

Tel. : +38531320420

Fax : +38531320429

<http://www.hongoldonia.hr>

✉ prodaja@hongoldonia.hr

CYPRUS

**Alexander Dimitriou & Sons
Ltd.**

162, Yiannos Kranidiotis

Avenue

2235 Latsia, Nicosia

Tel. : +357 22 715 300

Fax : +357 22 715 400

CZECH REPUBLIC

BG Technik cs, a.s.

U Zavodiste 251/8

15900 Prague 5 - Velka

Chuchle

Tel. : +420 2 838 70 850

Fax : +420 2 667 111 45

<http://www.honda-stroje.cz>

DENMARK

Tima Products A/S

Tårnfalkevej 16

2650 Hvidovre

Tel. : +45 36 34 25 50

Fax : +45 36 77 16 30

<http://www.tima.dk>

FINLAND

OY Brandt AB.

Tuupakantie 7B

01740 Vantaa

Tel. : +358 207757200

Fax : +358 9 878 5276

<http://www.brandt.fi>

FRANCE

Honda Relations Clients

TSA 80627

45146 St Jean de la Ruelle Cedex

Tel. : 02 38 81 33 90

Fax : 02 38 81 33 91

<http://www.honda-fr.com>

✉ espaceclient@honda-eu.com

GERMANY

**Honda Deutschland
GmbH**

Sprendlinger Landstraße 166

63069 Offenbach am Main

Tel. : 01 80 5/20 20 90

Fax : +49 69 8320 20

<http://www.honda.de>

✉ info@post.honda.de

GREECE

Saracakis Brothers S.A.

71 Leoforos Athinon

10173 Athens

Tel. : +30 210 3497809

Fax : +30 210 3467329

<http://www.honda.gr>

✉ info@saracakis.gr

HUNGARY

Motor Pedo Co., Ltd.

Kamaraerdei ut 3.

2040 Budaors

Tel. : +36 23 444 971

Fax : +36 23 444 972

<http://www.hondakisgepek.hu>

✉ info@hondakisgepek.hu

ICELAND

Bernhard ehf.

Vatnagarðar 24-26

104 Reykjavík

Tel. : +354 520 1100

Fax : +354 520 1101

<http://www.honda.is>

IRELAND

Two Wheels Ltd

M50 Business Park, Ballymount

Dublin 12

Tel. : +353 1 4381900

Fax : +353 1 4607851

<http://www.hondaireland.ie>

✉ Service@hondaireland.ie

ITALY

Honda Italia Industriale S.p.A.

Via della Cecchignola, 13

00143 Roma

Tel. : +848 846 632

Fax : +39 065 4928 400

<http://www.hondaitalia.com>

✉ info.power@honda-eu.com

MALTA

The Associated Motors

Company Ltd.

New Street in San Gwakklin Road

Mriehel Bypass, Mriehel QRM17

Tel. : +356 21 498 561

Fax : +356 21 480 150

NETHERLANDS

Honda Nederland B.V.

Afd. Power Equipment

Capronilaan 1

1119 NN Schiphol-Rijk

Tel. : +31 20 7070000

Fax : +31 20 7070001

<http://www.honda.nl>

NORWAY

Berema AS

P.O. Box 454

1401 Ski

Tel. : +47 64 86 05 00

Fax : +47 64 86 05 49

<http://www.berema.no>

✉ berema@berema.no

POLAND

Aries Power Equipment Sp. z o.o.

ul. Wroclawska 25

01-493 Warszawa

Tel. : +48 (22) 861 43 01

Fax : +48 (22) 861 43 02

<http://www.ariespower.pl>

<http://www.mojahonda.pl>

✉ info@ariespower.pl

PORTUGAL

Honda Portugal, S.A.

Rua Fontes Pereira de Melo 16

Abrunheira, 2714-506 Sintra

Tel. : +351 21 915 53 33

Fax : +351 21 915 23 54

<http://www.honda.pt>

✉ honda.produtos@honda-eu.com

REPUBLIC OF BELARUS

Scanlink Ltd.

Kozlova Drive, 9

220037 Minsk

Tel. : +375 172 999090

Fax : +375 172 999900

<http://www.hondapower.by>

ROMANIA

Hit Power Motor Srl

str. Vasile Stroescu nr. 12,

Camera 6, Sector 2

021374 Bucuresti

Tel. : +40 21 637 04 58

Fax : +40 21 637 04 78

<http://www.honda.ro>

✉ hit_power@honda.ro

RUSSIA

Honda Motor RUS LLC

1, Pridirizhnaya Street, Sharapovo settlement, Naro-Fominsky district,

Moscow Region, 143350 Russia

Tel. : +7 (495) 745 20-80

Fax : +7 (495) 745 20 81

<http://www.honda.co.ru>

✉ postoffice@honda.co.ru

SERBIA & MONTENEGRO

BPP Group d.o.o.

Generala Horvatovica 68
11000 Belgrade

Tel. : +381 11 3820 295

Fax : +381 11 3820 296

<http://www.hondasrbija.co.rs>

✉ honda@bazis.co.rs

SLOVAK REPUBLIC

Honda Slovakia, spol. s r.o.

Prievozká 6
821 09 Bratislava

Tel. : +421 2 32131112

Fax : +421 2 32131111

<http://www.honda.sk>

SLOVENIA

AS Domzale Moto Center D.O.O.

Blatnica 3A
1236 Trzin

Tel. : +386 1 562 22 62

Fax : +386 1 562 37 05

www.honda-as.com

✉ infomacije@honda-as.com

SPAIN & Las Palmas province (Canary Islands)

Greens Power Products, S.L.

Poligono Industrial Congost -
Av Ramon Ciurans n°2

08530 La Garriga - Barcelona

Tel. : +34 93 860 50 25

Fax : +34 93 871 81 80

<http://www.hondaencasa.com>

Tenerife province

(Canary Islands)

Automocion Canarias S.A.

Carretera General del Sur, KM. 8,8

38107 Santa Cruz de Tenerife

Tel. : +34 (922) 620 617

Fax : +34 (922) 618 042

<http://www.aucasa.com>

✉ ventas@aucasa.com

✉ taller@aucasa.com

SWEDEN

Honda Nordic AB

Box 31002 - Långhusgatan 4
215 86 Malmö

Tel. : +46 (0)40 600 23 00

Fax : +46 (0)40 600 23 19

<http://www.honda.se>

✉ hpesinfo@honda-eu.com

SWITZERLAND

Honda Suisse S.A.

10, Route des Moulières
1214 Vernier - Genève

Tel. : +41 (0)22 939 09 09

Fax : +41 (0)22 939 09 97

<http://www.honda.ch>

TURKEY

Anadolu Motor Uretim ve
Pazarlama AS

Esentepe mah. Anadolu
cad. No: 5

Kartal 34870 Istanbul

Tel. : +90 216 389 59 60

Fax : +90 216 353 31 98

<http://www.anadolumotor.com.tr>

✉ antor@antor.com.tr

UKRAINE

Honda Ukraine LLC

101 Volodymyrska Str. - Build. 2

Kyiv 01033

Tel. : +380 44 390 14 14

Fax : +380 44 390 14 10

<http://www.honda.ua>

✉ CR@honda.ua

UNITED KINGDOM

Honda (UK) Power Equipment

470 London Road
Slough - Berkshire, SL3 8QY

Tel. : +44 (0)845 200 8000

<http://www.honda.co.uk>

AUSTRALIA

Honda Australia Motorcycle and
Power Equipment Pty. Ltd

1954-1956 Hume Highway
Campbellfield Victoria 3061

Tel. : (03) 9270 1111

Fax : (03) 9270 1133

"EC Declaration of Conformity" CONTENT OUTLINE
"CE-Déclaration de conformité" DESCRIPTION DE TABLE DES MATIERES
"EU-Konformitätserklärung" INHALTSÜBERSICHT
DESCRIPCIÓN GENERAL DEL CONTENIDO DE LA "Declaración de Conformidad CE"
DESCRIZIONE DEL CONTENUTO DELLA "Dichiarazione CE di Conformità"

EC Declaration of Conformity

1. The undersigned, Piet Renneboog, on behalf of the authorized representative, herewith declares that the machinery described below fulfils all the relevant provisions of:

- Directive 2006/42/EC on machinery
- Directive 2004/108/EC on electromagnetic compatibility
- Directive 2000/14/EC – 2005/88/EC on outdoor noise

2. Description of the machinery

- a) Generic denomination: Generating sets
 b) Function: producing electrical power

c) Commercial name	d) Type	e) Serial number
*1	*1	

3. Manufacturer

Honda Motor Co., Ltd.
 2-1-1 Minamiaoyama
 Minato-ku, Tokyo, JAPAN

4. Authorized representative

Honda Motor Europe Ltd. Aalst Office
 Wijngaardveld 1 (Noord V),
 9300 Aalst – BELGIUM

5. References to harmonized standards	6. Other standards or specifications
EN 12601:2010	-

7. Outdoor noise Directive

- a) Measured sound power dB(A): *1
 b) Guaranteed sound power dB(A): *1
 c) Noise parameter: *1
 d) Conformity assessment procedure: ANNEX VI
 e) Notified body: AIB-VINCOTTE International nv
 Jan Olieslagerslaan 35
 B-1800 Vilvoorde BELGIUM
 Aalst , BELGIUM

8. Done at:

9. Date:

 Piet Renneboog
 Homologation Manager
 Honda Motor Europe, Ltd., Aalst Office

*1: see specification page.

*1: voir page de spécifications

*1: Siehe Spezifikationen-Seite

*1: consulte la página de las especificaciones

*1: vedi la pagina delle caratteristiche tecniche

<p>Français. (French) Déclaration CE de Conformité 1. Le sous signé, Piet Renneboog, de la part du représentant autorisé, déclare que la machine décrit ci-dessous répond à toutes les dispositions applicables de * Directive Machine 2006/42/CE * Directive 2004/108/CE sur la compatibilité électromagnétique * Directive 2000/14/CE - 2005/88/CE des émissions sonores dans l'environnement des matériels destinés à être utilisé à l'extérieur des bâtiments 2. Description de la machine a) Denomination générique : Générateur b) Fonction : produire du courant électrique c) Nom Commercial d) Type e) Numéro de série 3. Constructeur 4. Représentant autorisé 5. Référence aux normes harmonisées 6. Autres normes et spécifications 7. Directives des émissions sonores dans l'environnement des matériels destinés à être utilisé à l'extérieur des bâtiments a) Puissance acoustique mesurée b) Puissance acoustique garantie c) Paramètre du bruit d) Procédure d'évaluation de conformité e) Organisme notifié 8. Fait à 9. Date</p>	<p>Italiano (Italian) Dichiarazione CE di Conformità 1. Il sottoscritto, Piet Renneboog, in qualità di rappresentante autorizzato, dichiara qui di seguito che la macchina sotto descritta soddisfa tutte le disposizioni pertinenti delle: * Direttiva macchine 2006/42/CE * Direttiva sulla compatibilità elettromagnetica 2004/108/CE * Direttiva sulla emissione acustica delle macchine e attrezzature destinate a funzionare all'aperto 2000/14/CE - 2005/88/CE 2. Descrizione della macchina a) Denominazione generica : Generatore b) Funzione : Produzione di energia elettrica c) Denominazione commerciale d) Tipo e) Numero di serie 3. Costruttore 4. Rappresentante Autorizzato 5. Riferimento agli standard armonizzati 6. Altri standard o specifiche 7. Direttiva sulla emissione acustica delle macchine e attrezzature destinate a funzionare all'aperto a) Livello di potenza sonora misurato b) Livello di potenza sonora garantito c) Parametri emissione acustica d) Procedura di valutazione della conformità e) Organismo notificato 8. Fatto a 9. Data</p>	<p>Deutsch (German) EG-Konformitätserklärung 1. Der Unterzeichner, Piet Renneboog erklärt hiermit im Namen der Bevollmächtigten, dass das hierunter genannte Maschine allen einschlägigen Bestimmungen der * entspricht. * Maschinenrichtlinie 2006/42/EG * Richtlinie der Elektromagnetischen Kompatibilität 2004/108/EG * Geräuschrichtlinie im Freien 2000/14EG - 2005/88/EG 2. Beschreibung der Maschine a) Allgemeine Bezeichnung : Stromerzeuger b) Funktion : Strom produzieren c) Handelsbezeichnung d) Typ e) Seriennummer 3. Hersteller 4. Bevollmächtigter 5. Verweis auf harmonisierte Normen 6. Andere Normen oder Spezifikationen 7. Geräuschrichtlinie im Freien a) gemessene Lautstärke b) Schalleistungspegel c) Geräuschvorgabe d) Konformitätsbewertungs Ablauf e) Benannte Stelle 8. Ort 9. Datum</p>
<p>Nederlands (Dutch) EG-verklaring van overeenstemming 1. Ondergetekende, Piet Renneboog, in naam van de gemachtigde van de fabrikant, verklaart hiermee dat het hieronder beschreven machine voldoet aan alle toepasselijke bepalingen van : * Richtlijn 2006/42/EG betreffende machines * Richtlijn 2004/108/EG betreffende elektromagnetische overeenstemming * Richtlijn 2000/14/EG - 2005/88/EG betreffende geluidsemissie (openlucht) 2. Beschrijving van de machine a) Algemene benaming : Generator b) Functie : elektriciteit produceren c) Handelsbenaming d) Type e) Seriennummer 3. Fabrikant 4. Gemachtigde van de fabrikant 5. Refereert naar geharmoniseerde normen 6. Andere normen of specificaties 7. Geluidsemissierichtlijn (openlucht) a) Gemeten geluidsvormogenniveau b) Gewaarborgd geluidsvormogenniveau c) Geluidspanometer d) Conformiteitsbeoordelingsprocedure e) Aangemelde instantie 8. Plaats 9. Datum</p>	<p>Dansk (Danish) EF OVERENSTEMMELSEERKLÆRING 1. UNDERTEGNEDE, PIET RENNEBOOG, PÅ VEGNE AF DEN AUTORISEREDE REPRÆSENTANT, ERKLÆRER HERMED AT MASKINEN, SOM ER BESKREVET NEDENFOR, OPFYLDER ALLE RELEVANTE BESTEMMELSER IFØLGE: * MASKINDIREKTIV 2006/42/EF * EMC-DIREKTIV 2004/108/EF * DIREKTIV OM STØJEMMISSION 2000/14/EF - 2005/88/EF 2. BESKRIVELSE AF PRODUKTET a) FÆLLESBETEGNELSE : Generator b) ANVENDELSE : Produktion af elektricitet c) HANDELSBETEGNELSE d) TYPE e) SERIENUMMER 3. PRODUCENT 4. AUTORISERET REPRÆSENTANT 5. REFERENCE TIL HARMONISEREDE STANDARDER 6. ANDRE STANDARDER ELLER SPECIFIKATIONER 7. DIREKTIV OM STØJEMMISSION FRA MASKINER TIL UDENDØRS BRUG a) MÅLT LYEFFEKTNIVEAU b) GARANTERET LYEFFEKTNIVEAU c) STØJPARAMETER d) PROCEDURE FOR OVERENSTEMMELSESVURDERING e) BEMYNDIGET ORGAN 8. STED 9. DATO</p>	<p>Ελληνικά (Greek) ΕΚ-Δήλωση συμμόρφωσης 1. Ο κάτωθι υπογεγραμμένος „Piet Renneboog, εκ μέρους του εξουσιοδοτημένου αντιπροσώπου με το παρόν δηλώνω ότι το παρακάτω περιγραφόμενο όχημα πληροί όλες τις σχετικές προδιαγραφές του: * Οδηγία 2006/42/ΕΚ για μηχανές * Οδηγία 2004/108/ΕΚ για την ηλεκτρομαγνητική συμβατότητα * Οδηγία 2000/14/ΕΚ - 2005/88/ΕΚ για το επίπεδο θορύβου σε εξωτερικούς χώρους. 2. Περιγραφή μηχανήματος a) Γενική ονομασία : Ηλεκτοπαραγωγό ζεύγος b) Λειτουργία : για παραγωγή ηλεκτρικής ενέργειας c) Εμπορική ονομασία d) Τύπος e) Αριθμός σειράς παραγωγής 3. Κατασκευαστής 4. Εξουσιοδοτημένος αντιπρόσωπος 5. Αναφορά σε εναρμονισμένα πρότυπα 6. Λοιπά πρότυπα ή προδιαγραφές 7. Οδηγία επιπέδου θορύβου εξωτερικών χώρων a) Μετρηθείσα ηχητική ένταση b) Εγγυημένη ηχητική ένταση c) Ηχητική παράμετρος d) Διαδικασία πιστοποίησης e) Οργανισμός πιστοποίησης 8. Η δοκιμή έγινε 9. Ημερομηνία</p>
<p>Svenska (Swedish) EG-försäkran om överensstämmelse 1. Undertecknad, Piet Renneboog, på uppdrag av auktoriserad representant, deklarerar härmed att maskinen beskriven nedan fullföljer alla relevanta bestämmelser enligt: * Direktiv 2006/42/EG gällande maskiner * Direktiv 2004/108/EG gällande elektromagnetisk kompatibilitet * Direktiv 2000/14/EG - 2005/88/EG gällande buller utomhus 2. Maskinbeskrivning a) Allmän benämning : Elverk b) Funktion : producera el c) Och varunamn d) Typ e) Serienummer 3. Tillverkare 4. Auktoriserad representant 5. referens till överensstämmande standarder 6. Andra standarder eller specifikationer 7. Direktiv för buller utomhus a) Uppmått ljudnivå b) Garanterad ljudnivå c) Buller parameter d) Förfarande för bedömning e) Anmälda organ 8. Utfärdad vid 9. Datum</p>	<p>Español (Spanish) Declaración de Conformidad CE 1. El abajo firmante, Piet Renneboog, en representación del representante autorizado, adjunto declara que la máquina abajo descrita, cumple las cláusulas relevantes de: * Directiva 2006/42/CE de maquinaria * Directiva 2004/108/CE de compatibilidad electromagnética * Directiva 2000/14/CE - 2005/88/CE de ruido exterior 2. Descripción de la máquina a) Denominación genérica : Generador b) Función : Producción de electricidad c) Denominación comercial d) Tipo e) Número de serie 3. Fabricante 4. Representante autorizado 5. Referencia de los estándar armonizados 6. Otros estándar o especificaciones 7. Directiva sobre ruido exterior a) Potencia sonora Medida b) Potencia sonora Garantizada c) Parámetros ruido d) Procedimiento evaluación conformidad e) Organismo notificado 8. Realizado en 9. Fecha</p>	<p>Română (Romanian) CE -Declaratie de Conformitate 1. Subsemnatul Piet Renneboog, in numele reprezentantului autorizat, declar prin prezenta faptul ca echipamentul descris mai jos indeplineste toate conditiile necesare din: * Directiva 2006/42/CE privind echipamentul * Directiva 2004/108/CE privind compatibilitatea electromagnetica * Directiva 2000/14/CE - 2005/88/CE privind poluarea fonica in spatiu deschis 2. Descrierea echipamentului a) Denumire generica : Motogenerator electric b) Domeniul de utilizare : generarea energiei electrice c) Denumire comerciala d) Tip e) Serie produs 3. Producator 4. Reprezentantul Autorizat 5. Referinta la standardele armonizate 6. Alte standarde sau norme 7. Directiva privind poluarea fonica in spatiu inchis a) Puterea acustica masurata b) Putere acustica maxim garantata c) Indice poluare fonica d) Procedura de evaluare a conformitatii e) Notificari 8. Emisa la 9. Data</p>

<p>Português (Portuguese) Declaração CE de Conformidade</p> <p>1. O abaixo assinado, Piet Renneboog, declara deste modo, em nome do mandatário, que o máquina abaixo descrito cumpre todas as estipulações relevantes da:</p> <ul style="list-style-type: none"> * Directiva 2006/42/CE de máquina * Directiva 2004/108/CE de compatibilidade electromagnética * Directiva 2000/14/CE - 2005/88/CE de ruído exterior <p>2. Descrição da máquina</p> <p>a) Denominação genérica : Gerador b) Função : produção de energia eléctrica c) Marca d) Tipo e) Número de série 3. Fabricante 4. Mandatário 5. Referência a normas harmonizadas 6. Outras normas ou especificações 7. Directiva de ruído exterior a) Potência sonora medida b) Potência sonora garantida c) Parametro de ruído d) Procedimento de avaliação da conformidade e) Organismo notificado 8. Feito em 9. Data</p>	<p>Polski (Polish) Deklaracja zgodności WE</p> <p>1. Niżej podpisany, Piet Renneboog, w imieniu upoważnionego przedstawiciela, niniejszym deklaruje, że urządzenie opisane poniżej spełnia wszystkie odpowiednie postanowienia:</p> <ul style="list-style-type: none"> * Dyrektywa Maszynowa 2006/42/WE * Dyrektywa Kompatybilności Elektromagnetycznej 2004/108/WE * Dyrektywa Hałasowa 2000/14/WE - 2005/88/WE <p>2. Opis urządzenia a) Ogólne określenie : Agregat prądotwórczy b) Funkcja : produkcja energii elektrycznej c) Nazwa handlowa d) Typ e) Numery seryjne 3. Producent 4. Upoważniony Przedstawiciel 5. Zastosowane normy zharmonizowane 6. Pozostałe normy i przepisy 7. Dyrektywa Hałasowa a) Zmierzony poziom mocy akustycznej b) Gwarantowany poziom mocy akustycznej c) Wartość hałasu d) Procedura oceny zgodności e) Jednostka notyfikowana 8. Miejsce 9. Data</p>	<p>Suomi / Suomen kieli (Finnish) EY-VAATIMUSTENMUKAISUUSVAKUUTUS</p> <p>1. Allekirjoittanut, Piet Renneboog valtuutettu valmistajan edustaja, vakuuttaa täten että alla mainittu kone/tuote täyttää kaikki seuraavia määräyksiä:</p> <ul style="list-style-type: none"> * Kone-direktiivi 2006/42/EY * Direktiivi 2004/108/EY sähkömagneettinen yhteensopivisuus * Direktiivi 2000/14/EY - 2005/88/EY ympäristön melu <p>2. TUOTTEEN KUVAUUS a) Yleisarvomäärä : Aggregaatti b) Toiminto : sähköä tuottaminen c) KAUPALLINEN NIMI d) TYYPPI e) SARJANUMERO 3. VALMISTAJA 4. VALMISTAJAN EDUSTAJAN 5. VIITTAUS YHTEISIIN STANDARDIEIHIN 6. MUU STANDARDI TAI TEKNISET TIEDOT 7. Ympäristön meludirektiivi a) Mittau melutaso b) Todenmukainen melutaso c) Melu parametrit d) Yhdenmukaisuuden arvioinnin menetelmä e) Tiedonantolin 8. TEHTY 9. PÄIVÄMÄÄRÄ</p>
<p>Magyar (Hungarian) EK-megfelelőségi nyilatkozata</p> <p>1. Alulírott Piet Renneboog, a gyártó cég törvényes képviselőjeként nyilatkozom, hogy az általam gyártott gép megfelel az összes, alább felsorolt direktívának:</p> <ul style="list-style-type: none"> * 2006/42/EK Direktívának berendezésekre * 2004/108/EK Direktívának elektromágneses megfeleléségre * 2000/14/EK - 2005/88/EK Direktívának kültéri zajszintre <p>2. A gép leírása a) Általános megnevezés : Áramfejlesztő b) Funkció : elektromos áram előállítás c) Kereskedelmi nevét d) Típus e) Sorozatszám 3. Gyártó 4. Jogosult képviselő 5. Hivatkozással a szabványokra 6. Más előírások, megjegyzések 7. Kültéri zajszint Direktíva a) Mért hangerő b) Szavatolt hangerő c) Zajszint paraméter d) Megfelelőségi becslési eljárás e) Kijelölt szervezet 8. Keltezés helye 9. Keltezés ideje</p>	<p>Čeština (Czech) ES – Prohlášení o shodě</p> <p>1. Podepsány Piet Renneboog, jako autorizovaná osoba zde potvrzuje, že stroj popsaný níže splňuje požadavky příslušných opatření:</p> <ul style="list-style-type: none"> * Směrnice 2006/42/ES pro strojí zařízení * Směrnice 2004/108/ES stanovující technické požadavky na výrobky z hlediska elektromagnetické kompatibility * Směrnice 2000/14/ES - 2005/88/ES stanovující technické požadavky na výrobky z hlediska emisí hluku zařízení pro venkovní použití <p>2. Popis zařízení a) Všeobecné označení : Elektrocentrála b) Funkce : Výroba elektrické energie c) Obchodní název d) Typ e) Výrobní číslo 3. Výrobce 4. Autorizovaná osoba 5. Odkazy na harmonizované normy 6. Ostatní použité normy a specifikace 7. Směrnice pro huk pro venkovní použití a) Naměřený akustický výkon b) Garantovaný akustický výkon c) Parametr hluku d) Znášob posouzení shody e) Notifikovaná osoba 8. Podepsáno v 9. Datum</p>	<p>Latviešu (Latvian) EK atbilstības deklarācija</p> <p>1. Piet Renneboog ar savu parakstu zem šīs dokumenta, autorizētā pārstāvja vārdā, paziņo, ka zemāk aprakstītie mašīna, atbilst visām zemāk norādīto direktīvu prasībām:</p> <ul style="list-style-type: none"> * Direktīva 2006/42/EK par mašīnām * Direktīva 2004/108/EK attiecībā uz elektromagnētisko savietojamību * Direktīva 2000/14/EK - 2005/88/EK par trokšņa emisiju vidē <p>2. Iekārtas apraksts a) Vispārējais nosaukums : Ģenerators iekārta b) Funkcija : elektriskās strāvas ražošana c) Komerccnosaukums d) Tips e) Sērijas numurs 3. Ražotājs 4. Autorizētais pārstāvis 5. Atsauc uz saskaņotajiem standartiem 6. Citi noteiktie standarti vai specifikācijas 7. Ārējo trokšņu Direktīva a) Izmērtā trokšņa līelums b) Pielaujama trokšņa līelums c) Trokšņa parametri d) Atbilstības vērtējuma procedūra e) Informētā iestāde 8. Vieta 9. Datums</p>
<p>Slovenčina (Slovak) ES vyhlásenie o zhode</p> <p>1. Dolu podpísaný, Piet Renneboog, ako autorizovaný zástupca výrobcu, týmto vyhlasim, že uvedený strojev je v zhode s nasledovnymi smernicami:</p> <ul style="list-style-type: none"> * Smernica 2006/42/ES (Strojné zariadenia) * Smernica 2004/108/ES (Elektromagnetická kompatibilita) * Smernica 2000/14/ES - 2005/88/ES (Emisie hluku) <p>2. Popis stroja a) Druhové označenie : Elektrocentrála b) Funkcia : Výroba elektrického napätia c) Obchodný názov d) Typ e) Výrobné číslo 3. Výrobca 4. Autorizovaný zástupca 5. Referencia k harmonizovaným štandardom 6. Ďalšie štandardy alebo špecifikácie 7. Smernica pre emisie hluku vo vnorn priestranstve a) Nameraná hladina akustického výkonu b) Zarúčená hladina akustického výkonu c) Rozmer d) Procedúra posudzovania zhody e) Notifikovaná osoba 8. Miesto 9. Dátum</p>	<p>Eesti (Estonian) EÜ vastavusdeklaratsioon</p> <p>1. Käesolevaga kinnitab allakirjutatud, Piet Renneboog, volitatud esindaja nimel, et allpool kirjeldatud masina vastab kõikidele alljärgnevatel direktiivide sätetele:</p> <ul style="list-style-type: none"> * Masinate direktiiv 2006/42/EÜ * Elektromagnetilise ühilduvuse direktiiv 2004/108/EÜ * Välimõura direktiiv 2000/14/EÜ - 2005/88/EÜ <p>2. Seadmete kirjeldus a) Üldnimetus : Generaator b) Funktsioon : elektrienergia tootmine c) Kaubanduslik nimetus d) Tüüp e) Seerialumber 3. Tootja 4. Volitatud esindaja 5. Viide ühtlustatud standarditele 6. Muud standardid ja spetsifikatsioonid 7. Välimõura direktiiv a) Mõõdetud helivõimsuse tase b) Lubatud helivõimsuse tase c) Mõura parameeter d) Vastavushindamismenetlus e) Teavitatud asutus 8. Koht 9. Kuupäev</p>	<p>Slovensčina (Slovenian) ES izjava o skladnosti</p> <p>1. Spodaj podpisani, Piet Renneboog, ki je pooblaščen oseba in v imenu proizvajalca izjavlja, da spodaj opisana stroj ustreza vsem navedenim direktivam:</p> <ul style="list-style-type: none"> * Direktiva 2006/42/ES o strojih * Direktiva 2004/108/ES o elektromagnetni združljivosti * Direktiva 2000/14/ES - 2005/88/ES o hrupnosti <p>2. Opis naprave a) Vrsta stroja : Agregat za proizvodnjo el. energije b) Funkcija : proizvodnja električne energije c) Trgovski naziv d) Tip e) Serijska številka 3. Proizvajalec 4. Pooblaščen predstavnik 5. Upoštevani harmonizirani standardi 6. Ostali standardi ali specifikaciji 7. Direktiva o hrupnosti a) Izmerjena zvočna moč b) Garantirana zvočna moč c) Parametri d) Postopek e) Postopek opravi 8. Kraj 9. Datum</p>

<p>Lietuvių kalba (Lithuanian) EB atitikties deklaracija</p> <p>1. Įgaliotojo atstovo vardu pasirašęs Piet Renneboog patvirtina, kad žemiau aprašyta mašina atitinka visas įsvardintų direktyvų nuostatas:</p> <ul style="list-style-type: none"> * Mechanizmų direktyva 2006/42/EB * Elektromagnetinio suderinamumo direktyva 2004/108/EB * Triukšmo lauke direktyva 2000/14/EB - 2005/88/EB <p>2. Prietaiso aprašymas</p> <p>a) Bendras pavadinimas : Generatorius b) Funkcija : elektros energijos gaminimas c) Komercinis pavadinimas d) Tipas e) Serijos numeris 3. Gamintojas 4. Įgaliotasis atstovas 5. Nuorodos į suderintus standartus 6. Kiti standartai ir specifikacija 7. Triukšmo lauke direktyva a) Išmatuotas garso galingumo lygis b) Garantuojamas garso galingumo lygis c) Triukšmo parametras d) Tipas e) Registruota įstaiga 8. Vieta 9. Data</p>	<p>Български (Bulgarian) ЕО декларация за съответствие</p> <p>1. Дългоподписаният Пайът Ренебург, от името на упълномощения представител, с настоящото декларирам, че машините, описани по-долу, отговарят на всички съответни разпоредби на:</p> <ul style="list-style-type: none"> * Директива2006/42/ЕО относно машините * Директива 2004/108/ЕО относно електромагнитната съвместимост Директива 2000/14/ЕО - 2005/88/ЕО относно шумовите емисии на съоръжения, предназначени за употреба извън сградите <p>2. Описание на машините</p> <p>a) Общо наименование : Генераторен комплект b) Фунция : производство на електроенергия c) Търговско наименование d) Тип e) Серийен номер 3. Производител 4. Упълномощен представител 5. Съответствие с хармонизирани стандарти 6. Други стандарти или спецификации 7. Директива относно шумовите емисии на съоръжения, предназначени за употреба извън сградите a) Измерена звукова мощност b) Гарантирана звукова мощност c) Параметърът шум d) Процедура за оценка на съответствието e) Нотифициран орган 8. Място на изготвяне 9. Дата на изготвяне</p>	<p>Norsk (Norwegian) EF- Samsvarserklæring</p> <p>1.Undertegnede Piet Renneboog på vegne av autorisert representant herved erklærer at maskinene beskrevet nedenfor innfrir relevant informasjon fra følgende forskrifter.</p> <ul style="list-style-type: none"> * Maskindirektiv 2006/42/EF * Direktiv EMC: 2004/108/EF Elektromagnetisk kompatibilitet * Direktiv om støy utendørs 2000/14/EF - 2005/88/EF <p>2. Beskrivelse av produkt a) Felles benevnelse : Generator b) Funksjon : Produsere strøm c) Handelsnavn d) Type e) Serienummer 3. Produsent 4. Autorisert representant 5. Referanse til harmoniserte standarder 6. Øvrige standarder eller spesifikasjoner 7. Utendørs direktiv får støy a) Målt støy b) Maks støy c) Konstant støy d) Verdi vurderings prosedyre e) Gjeldene kjøretøy/kropp/stamme/skrog 8. Sted 9. Dato</p>
<p>Türk (Turkish) AT Uygunluk Beyanı</p> <p>1. Aşağıda imzası bulunan Piet Renneboog, yetkili temsilci adına, bu yazıyla birlikte aşağıdaki makine ile ilgili tüm hükümlülüklerin yerine getirildiğini beyan etmektedir. * Makina Emniyet Yönetmeliği 2006/42/AT</p> <ul style="list-style-type: none"> * Elektromanyetik Uyumluluk Yönetmeliği 2004/108/AT * Açık Alanda Kullanılan Teçizat Tarafından Oluşturulan Çevredeki Gürültü Emisyonu İle İlgili Yönetmelik 2000/14/AT-2005/88/AT <p>2. Makinanın tanıtı</p> <p>a) Kapsamlı adlandırma: Jeneratör grubu b) İşlevi : Elektrik gücü üretimi c) Ticari adı d) Tipi e) Seri numarası 3. İmalatçı 4. Yetkili temsilci 5. Uymlaştırılmış standartlara atıf 6. Diğer standartlar veya spesifikasyonlar 7. Açık alan gürültü Yönetmeliği a) Ölçülen ses gücü b) Garanti edilen ses gücü c) Gürültü parametresi d) Uygunluk değerlendirme prosedürü e) Onaylanmış kuruluş 8. Beyanın yeri : 9. Beyanın tarihi :</p>	<p>Íslenska (Icelandic) EB-Samræmisvirkisýsing</p> <p>1. Undirritaður Piet Renneboog staðfestir hér með fyrir hönd löggilfra aðila að upplýsingar um vélbúnað hér að neðan eru tæmandi hvað varðar alla tilheyrandi mátaflokk, svo sem</p> <ul style="list-style-type: none"> *Leiðbeiningar fyrir vélbúnað 2006/42/EB *Leiðbeiningar fyrir rafsegulvið 2004/108/EB *Leiðbeiningar um hávaðamengun 2000/14/EB-2005/88/EB <p>2. Lýsing á vélbúnaði</p> <p>a) Flokkur : Rafstöðvar b) Virkni : Framleiðsla á rafmagni c) Nafn d) Tegund e) Séríal númer 3. Framleiðandi 4. Löggildir aðilar 5. Tilvísun um heildar staðal 6. Aðrir staðlar eða sérstöður 7. Leiðbeiningar um hávaðamengun a) Mældur hávaða styrkur b) Staðfestur hávaða styrkur c) Hávaða breytileiki d) Staðfesting á gæðastöðlum e) Merkingar 8. Gert hjá 9. Dagsetning</p>	<p>Hrvatski(Croatian) EK Izjava o sukkladnosti</p> <p>1. Potpisani, Piet Renneboog, u ime ovlaštenog predstavnika, ovime izjavljuju da strojevi navedeni u nastavku ispunjavaju sve važne odredbe:</p> <ul style="list-style-type: none"> * Propisa za strojeve 2006/42/EK * Propisa o elektromagnetskoj kompatibilnosti 2004/108/EK * Propisa o buci na otvorenome 2000/14/EK-2005/88/EK <p>2. Opis strojeva a) Opća vrijednost : Agregat b) Funkcionalnost : proizvod električnu energiju c) Komercijalni naziv d) Tip e) Serijski broj 3. Proizvođač 4. Ovlašteni predstavnik 5. Reference na usklađene norme 6. Ostale norme i specifikacije 7. Propis o buci na otvorenome a) Izmjerena jačina zvuka b) Zajamčena jačina zvuka c) Parametar buke d) Postupak za ocjenu sukkladnosti e) Obavješteno tijelo 8. U 9. Datum</p>

Honda EU20i

MANUEL DE L'UTILISATEUR

Notice originale



ECOLOGY CONSCIOUS TECHNOLOGY

La marque "e-SPEC" symbolise l'application de technologies soucieuses de l'environnement à l'équipement mécanique Honda dans le but de "préserver la nature pour les générations futures".

Nous vous remercions d'avoir porté votre choix sur un groupe électrogène Honda.

Ce manuel couvre l'utilisation et l'entretien du groupe électrogène EU20i.

Toutes les informations de cette publication sont basées sur les dernières données sur le produit disponibles au moment de la mise sous presse.

Honda Motor Co., Ltd. se réserve le droit d'apporter des modifications à tout moment sans préavis et sans obligation quelconque.

Aucune partie de cette publication ne peut être reproduite sans autorisation écrite.

Ce manuel doit être considéré comme un élément permanent du groupe électrogène et doit l'accompagner en cas de revente.

Attacher une attention particulière aux indications précédées des mentions suivantes :

▲ATTENTION Signale un fort risque de blessures corporelles graves, voire un danger mortel si les instructions ne sont pas suivies.

PRECAUTION : Signale un risque de blessures corporelles ou de détérioration des équipements si les instructions ne sont pas suivies.

REMARQUE : Fournit des informations utiles.

En cas de dérangement, ou pour toute question concernant ce groupe électrogène, veuillez vous adresser au revendeur local Honda.

▲ATTENTION
Les groupes électrogènes Honda ont été conçus pour assurer un fonctionnement sûr et fiable lorsqu'ils sont utilisés conformément aux instructions données. Lire très attentivement le manuel du propriétaire avant d'utiliser le groupe électrogène. A défaut, vous vous exposeriez à des blessures et l'équipement pourrait être endommagé.

Les illustrations de ce manuel sont essentiellement basées sur : Type EU

- Les illustrations peuvent varier en fonction du type.

SOMMAIRE

1. CONSIGNES DE SECURITE	3
2. EMBLACEMENT DES ETIQUETTES DE SECURITE	7
Emplacement de la marque CE et des étiquettes sur les émissions sonores	11
3. IDENTIFICATION DES COMPOSANTS	12
4. CONTROLE AVANT UTILISATION	16
5. DEMARRAGE DU MOTEUR.....	21
• Modification du carburateur pour une utilisation à haute altitude.....	24
6. UTILISATION DU GROUPE.....	25
7. ARRET DU MOTEUR.....	38
8. ENTRETIEN.....	40
9. TRANSPORT/REMISAGE	45
10. DEPANNAGE.....	48
11. CARACTERISTIQUES	51
12. SCHEMA DE CABLAGE	53
PRISE	54
ADRESSES DES PRINCIPAUX CONCESSIONNAIRES Honda	à l'intérieur du capot arrière
"Déclaration de conformité CE" DESCRIPTIF DU CONTENU	à l'intérieur du capot arrière

1. CONSIGNES DE SECURITE

INFORMATIONS DE SECURITE IMPORTANTES

Les groupes électrogènes Honda sont destinés à alimenter des équipements électriques ayant une puissance requise appropriée. D'autres usages pourraient occasionner des blessures à l'opérateur ou des dommages au groupe électrogène et à d'autres biens.

On pourra éviter la plupart des blessures ou dommages matériels en suivant toutes les instructions de ce manuel et sur le groupe électrogène. Les dangers les plus courants sont décrits ci-dessous avec l'indication des meilleurs moyens pour s'en protéger, soi-même et les autres.

Ne jamais essayer de modifier le groupe électrogène. Il pourrait en résulter un accident ainsi que des dommages au groupe électrogène et aux appareils branchés.

- Ne pas raccorder de rallonge au silencieux.
- Ne pas modifier le système d'admission.
- Ne pas régler le régulateur de régime.
- Ne pas déposer le panneau de commande et ne pas modifier son câblage.

Responsabilités de l'opérateur

Apprendre à arrêter rapidement le groupe électrogène en cas d'urgence.

Bien comprendre l'utilisation de toutes les commandes du groupe électrogène, prises de sortie et connexions.

S'assurer que toutes les personnes utilisant le groupe électrogène reçoivent des instructions appropriées. Ne pas laisser les enfants utiliser le groupe électrogène sans surveillance parentale.

Observer les instructions de ce manuel sur la manière d'utiliser le groupe électrogène ainsi que les informations d'entretien. En ignorant ou suivant incorrectement les instructions, on risque un accident tel qu'électrocution et une dégradation de l'état des gaz d'échappement.

Respecter toutes les réglementations applicables du lieu où le groupe électrogène est utilisé.

L'essence et l'huile sont toxiques. Suivre les instructions fournies par chaque fabricant avant l'emploi.

Avant l'utilisation, placer le groupe électrogène sur une surface horizontale et ferme.

Ne pas faire fonctionner le groupe électrogène avec un couvercle retiré. On s'exposerait à un accident si une main ou un pied se prenait dans le groupe électrogène.

Pour le démontage et les interventions sur le groupe électrogène non couverts par ce manuel, consulter son concessionnaire Honda agréé.

Dangers du monoxyde de carbone

Les gaz d'échappement contiennent du monoxyde de carbone, un gaz toxique, incolore et inodore. Les gaz d'échappement peuvent provoquer des évanouissements et être mortels.

Si l'on fait fonctionner le groupe électrogène dans un endroit fermé ou même partiellement clos, l'air respiré peut contenir une quantité dangereuse de gaz d'échappement.

Ne jamais faire fonctionner le groupe électrogène dans un garage, une maison ou à proximité de fenêtres ou portes ouvertes.

Risques d'électrocution

Le groupe électrogène produit une puissance électrique suffisamment importante pour provoquer un choc électrique grave ou une électrocution s'il est mal utilisé.

L'utilisation du groupe électrogène ou d'un appareil électrique dans des conditions humides telles que pluie ou neige, près d'une piscine ou d'un dispositif d'arrosage ou avec les mains mouillées peut être à l'origine d'une électrocution.

Garder le groupe électrogène sec.

Si le groupe électrogène se trouve à l'extérieur dans un endroit non protégé contre les intempéries, vérifier toutes les pièces électriques du panneau de commande avant chaque utilisation. L'humidité ou la glace peuvent provoquer une anomalie ou un court-circuit des pièces électriques pouvant causer une électrocution.

En cas de choc électrique, consulter immédiatement un médecin pour recevoir un traitement médical.

Risques d'incendie et de brûlures

Ne pas utiliser le groupe électrogène dans des endroits présentant des risques importants d'incendie.

Le système d'échappement chauffe suffisamment pour enflammer certaines matières.

- Garder le groupe électrogène à au moins 1 mètre des bâtiments et des autres équipements pendant l'utilisation.
- Ne pas enfermer le groupe électrogène dans une structure.
- Ne pas approcher de matières inflammables du groupe électrogène.

Certaines pièces du moteur à combustion interne sont chaudes et peuvent provoquer des blessures. Prêter attention aux avertissements sur le groupe électrogène.

Le silencieux devient brûlant pendant le fonctionnement et reste chaud quelques temps après l'arrêt du moteur. Prendre garde de ne pas toucher le silencieux tant qu'il est brûlant. Attendre que le moteur se soit refroidi avant de remiser le groupe électrogène à l'intérieur.

En cas d'incendie du groupe électrogène, ne pas verser d'eau directement dessus. Utiliser un extincteur d'incendie approprié spécialement conçu pour les incendies électriques ou d'huile.

Si l'on a respiré des fumées produites par un incendie accidentel du groupe électrogène, consulter immédiatement un médecin pour recevoir un traitement médical.

Faire le plein de carburant avec précaution

L'essence est extrêmement inflammable et les vapeurs d'essence peuvent exploser. Laisser le moteur se refroidir si le groupe électrogène vient de fonctionner.

Ne faire le plein qu'à l'extérieur dans un endroit bien aéré et avec le moteur arrêté.

Ne pas faire d'appoint de carburant pendant le fonctionnement.

Ne pas trop remplir le réservoir de carburant.

Ne jamais fumer à proximité de l'essence et ne pas approcher de flammes ou d'étincelles.

Toujours stocker l'essence dans un récipient approprié.

Avant de faire fonctionner le groupe électrogène, s'assurer que tout carburant renversé a été essuyé.

Antidéflagrant

Ce groupe électrogène n'est pas à l'épreuve des déflagrations.

Mise au rebut

Pour protéger l'environnement, ne pas jeter le groupe électrogène, la batterie, l'huile moteur usée, etc. aux ordures ou dans un endroit impropre. Pour leur mise au rebut, observer la réglementation locale ou consulter son concessionnaire Honda agréé.

Respecter la réglementation environnementale en vigueur pour la mise au rebut de l'huile usagée. Nous vous suggérons de la transporter dans un bidon fermé hermétiquement jusqu'à la station-service la plus proche pour recyclage. Ne pas la jeter aux ordures ni la déverser au sol.

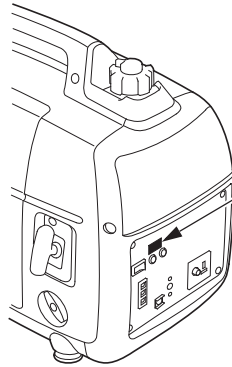
Une batterie jetée n'importe où peut être nocive pour l'environnement. Toujours respecter la réglementation locale en vigueur pour la mise au rebut des batteries. Faire remplacer la batterie par son concessionnaire d'entretien.

2. EMBLACEMENT DES ÉTIQUETTES DE SECURITE

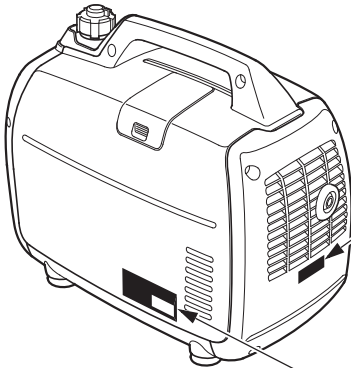
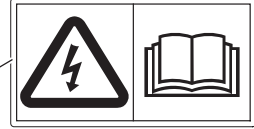
Ces étiquettes ont pour objet de mettre en garde contre les risques potentiels de blessures graves. Lire attentivement ces étiquettes, de même que les avertissement et les remarques de sécurité donnés dans ce manuel.

Si une étiquette se décolle ou devient illisible, s'adresser au concessionnaire d'entretien pour son remplacement.

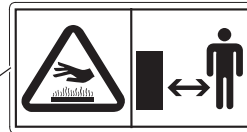
[Pour le modèle européen : Types G, GP3, GW, GW1, B, F, W, CL]



MISE EN GARDE SUR LES PRISES



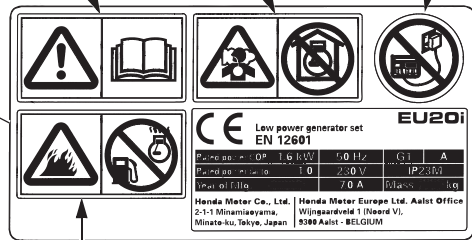
MISE EN GARDE SUR LA CHALEUR



LIRE LE
MANUEL DU
PROPRIETAIRE

MISES EN
GARDE SUR
PRECAUTION

MISE EN
GARDE SUR
PRECAUTION



MISE EN GARDE SUR LE CARBURANT



- Les groupes électrogènes Honda ont été conçus pour assurer un fonctionnement sûr et fiable lorsqu'ils sont utilisés conformément aux instructions données.
Lire très attentivement le manuel du propriétaire avant d'utiliser le groupe électrogène. A défaut, vous vous exposeriez à des blessures et l'équipement pourrait être endommagé.



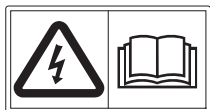
- Les gaz d'échappement contiennent du monoxyde de carbone, un gaz toxique, incolore et inodore. L'inhalation du monoxyde de carbone peut provoquer l'évanouissement et entraîner la mort.
- Si l'on fait fonctionner le groupe électrogène dans un endroit fermé ou même partiellement clos, l'air respiré peut contenir une quantité dangereuse de gaz d'échappement.
- Ne jamais faire fonctionner le groupe électrogène dans un garage, une maison ou à proximité de fenêtres ou portes ouvertes.



- Un raccordement incorrect au réseau électrique d'un bâtiment peut permettre le retour du courant du groupe électrogène dans les lignes de la compagnie d'électricité. Un tel retour du courant peut provoquer l'électrocution du personnel de la compagnie d'électricité, ou de toute autre personne, travaillant sur le réseau pendant une panne de courant, et le groupe électrogène risque d'exploser, brûler ou causer un incendie lors du rétablissement du courant.
Avant d'effectuer des raccordements électriques, consulter la compagnie d'électricité ou un électricien qualifié.



- L'essence est hautement inflammable et explosive. Arrêter le moteur et le laisser se refroidir avant de faire le plein.

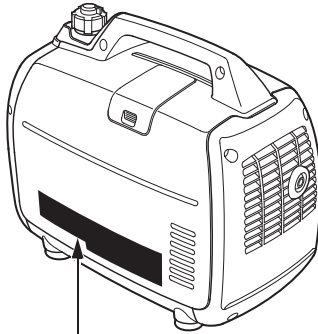


- Arrêter le moteur avant de brancher ou débrancher le boîtier de prise de courant pour fonctionnement en parallèle.
- Pour un fonctionnement en solo, il faut débrancher le boîtier de prise de courant pour fonctionnement en parallèle.



- Un système d'échappement chaud peut provoquer de graves brûlures. Éviter tout contact immédiatement après arrêt du moteur.

[Pour le modèle australien : Type U]



CAUTION

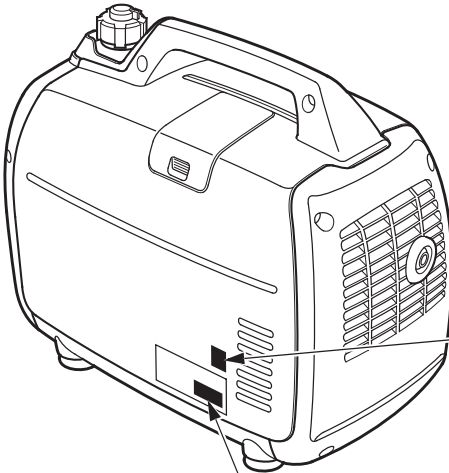
- DO NOT USE INDOORS DUE TO DANGER OF CARBON MONOXIDE POISONING.
- DO NOT CONNECT THE RECEPTACLE OF THIS GENERATOR TO HOUSE WIRING.
- STOP THE ENGINE BEFORE REFUELING.
- CHECK FOR SPILLED FUEL OR FUEL LEAKS.
- DO NOT FILL THE FUEL TANK BEYOND THE UPPER LIMIT LINE.
- FOR DETAILED EXPLANATION, READ THE OWNER'S MANUAL.
- WHEN STORED OR IN TRANSIT, MAKE CERTAIN THAT THE ENGINE SWITCH AND THE FUEL TANK CAP LEVER ARE IN "OFF" POSITION TO PREVENT FUEL LEAKS.
- BE SURE TO CONNECT ONLY THE SPECIAL LEAD TO THE PARALLEL OPERATION RECEPTACLE.

ATTENTION

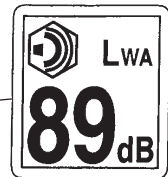
- NE PAS UTILISER DANS UN LOCAL CLOS OÙ LES VAPEURS NOCIVES DE MONOXYDE DE CARBONE PEUVENT S'ACCUMULER.
- NE JAMAIS CONNECTER LE GROUPE ÉLECTROGÈNE À UNE PRISE DE SECTEUR.
- ARRÊTER LE MOTEUR AVANT DE FAIRE LE PLEIN D'ESSENCE.
- CONTRÔLER QU'IL N'Y A NI FUITE D'ESSENCE, NI D'ESSENCE RÉPANDUE SUR L'APPAREIL.
- NE PAS REMPLIR LE RÉSERVOIR D'ESSENCE AU-DESSUS DU REPERE DE NIVEAU MAXIMUM.
- POUR PLUS D'INFORMATIONS, LIRE LE MANUEL DE L'UTILISATEUR.
- QUAND LE GROUPE ÉLECTROGÈNE EST REMIS EN TRANSPORT, S'ASSURER QUE LE CONTACT D'ARRÊT DU MOTEUR ET LA MISE À L'AIR LIBRE DU RÉSERVOIR D'ESSENCE SONT SUR LA POSITION "OFF" AFIN D'ÉVITER TOUTE FUITE D'ESSENCE.
- CONNECTER UNIQUEMENT LE CORDON SPÉCIAL À LA PRISE POUR UTILISATION EN PARALLÈLE.

• Emplacement de la marque CE et des étiquettes sur les émissions sonores

[Pour le modèle européen : Types G, GP3, GW, GW1, B, F, W, CL]




ETIQUETTE
RELATIVE AUX
EMISSIONS
SONORES



MARQUE CE

Année de production

	Low power generator set EN 12601		EU20i	
	Rated power COP	1.6 kW	50 Hz	G1
Rated power factor	1.0	230 V	IP23M	Code IP
Year of Mfg.	7.0 A	Mass	kg	Masse à sec (poids)
Honda Motor Co., Ltd. 2-1-1 Minamiaoyama, Minato-ku, Tokyo, Japan		Honda Motor Europe Ltd. Aalst Office Wijngaardveld 1 (Noord V), 9300 Aalst - BELGIUM		

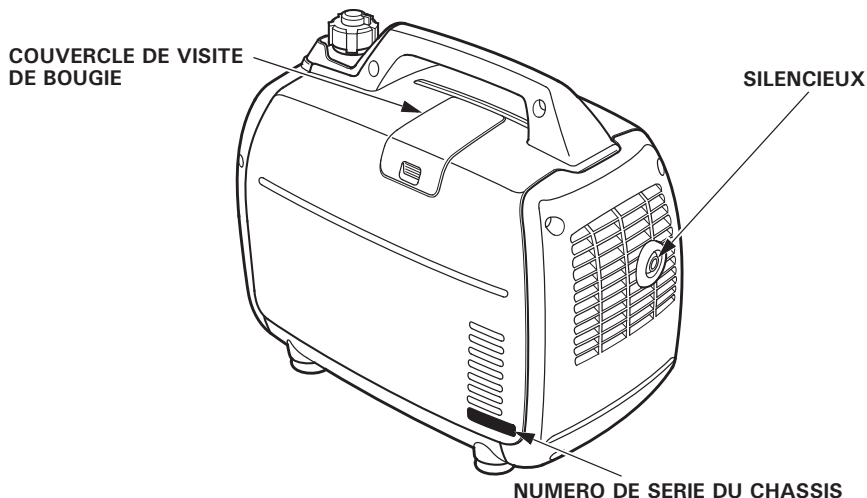
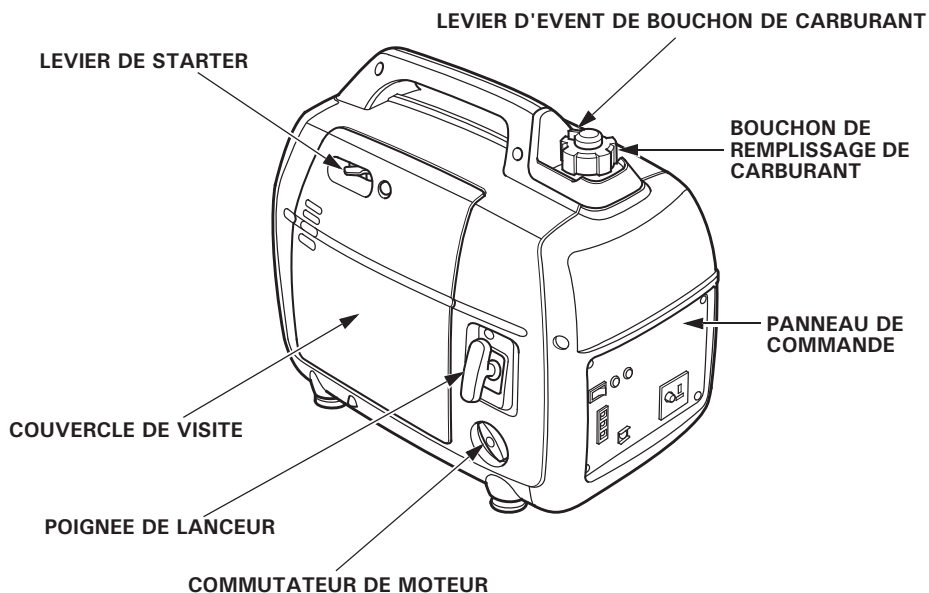
Fabricant et adresse

Nom et adresse du représentant agréé

Classe de performances

Classe de qualité

3. IDENTIFICATION DES COMPOSANTS

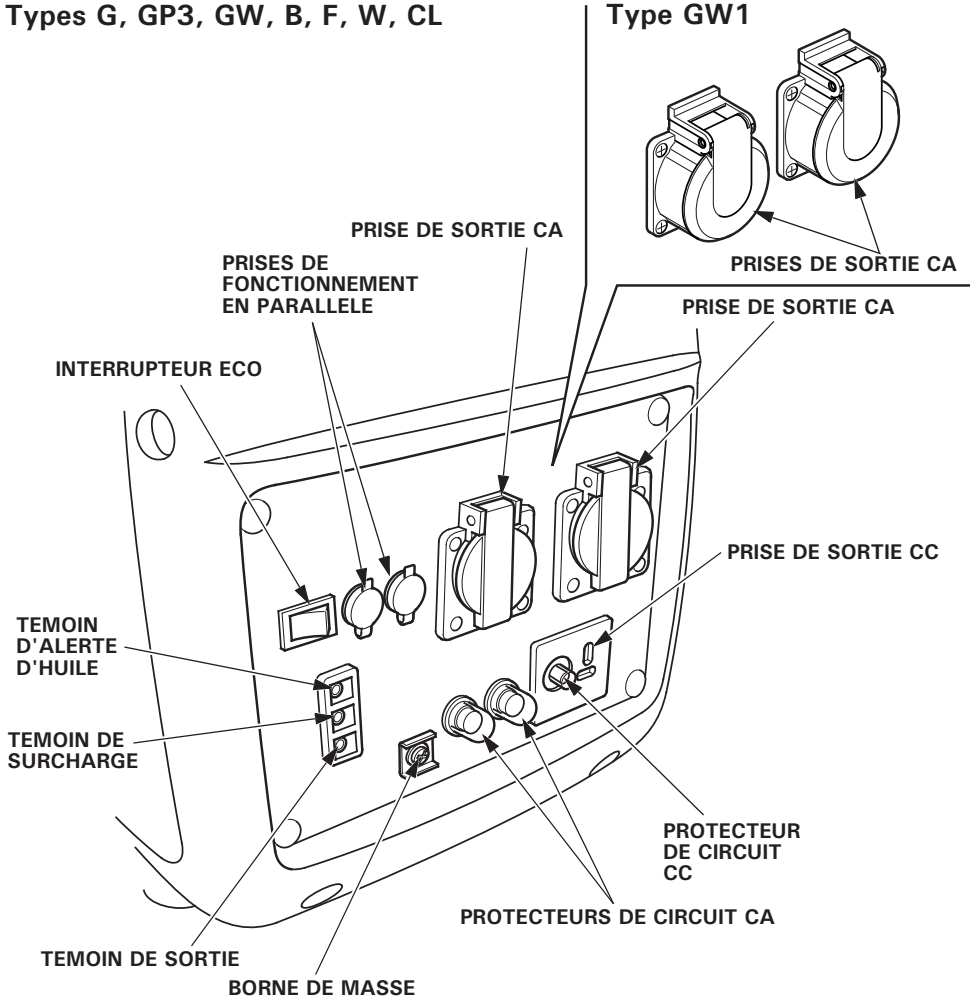


Noter le numéro de série du châssis dans l'espace ci-dessous. Ce numéro de série est indispensable pour la commande de pièces.

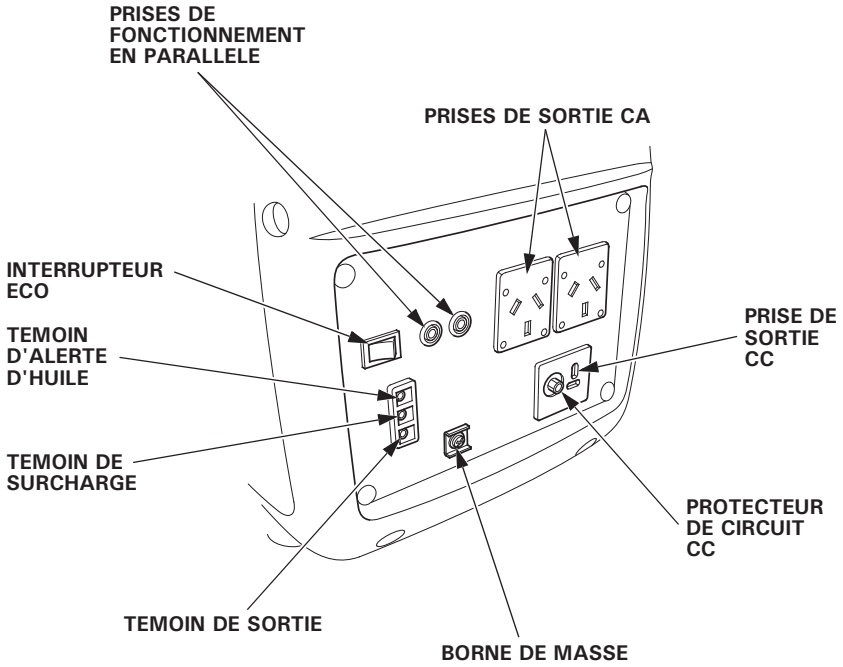
Numéro de série du châssis : _____

PANNEAU DE COMMANDE

Types G, GP3, GW, B, F, W, CL



Type U



Eco Throttle

ECO :

Le régime moteur est automatiquement laissé au ralenti lorsque l'appareil électrique est déconnecté, et il revient à la bonne vitesse avec la charge électrique lorsque l'appareil électrique est connecté. Cette position est recommandée pour réduire la consommation de carburant au minimum pendant l'utilisation.

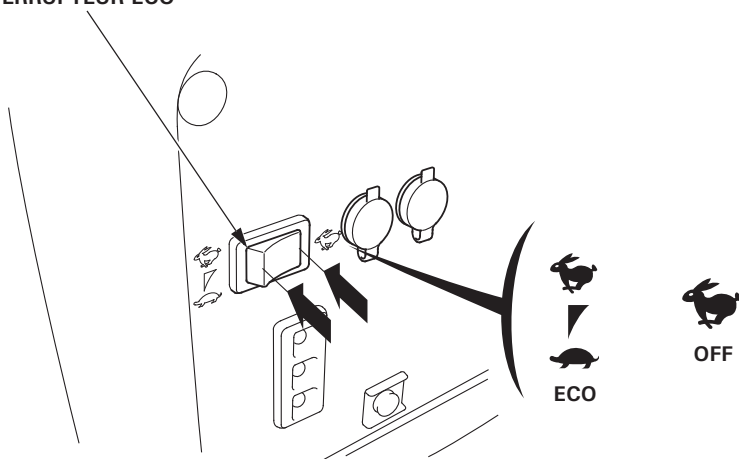
REMARQUE :

- Le système Eco Throttle ne fonctionne pas suffisamment si l'appareil électrique nécessite une puissance électrique momentanée.
- Lorsque des appareils à charge électrique élevée sont branchés simultanément, placer l'interrupteur Eco Throttle sur OFF pour réduire les variations de tension.
- En fonctionnement CC, tourner l'interrupteur ECO vers la position OFF.

OFF (désactivé) :

Le système Eco Throttle ne fonctionne pas. Le régime du moteur est maintenu dans la plage de régime moteur (avec Eco Throttle à l'arrêt) à la page "CARACTERISTIQUES".

INTERRUPTEUR ECO



4. CONTROLE AVANT UTILISATION

PRECAUTION :

Contrôler le groupe électrogène sur un sol horizontal avec le moteur arrêté.

1. Vérifier le niveau d'huile moteur.

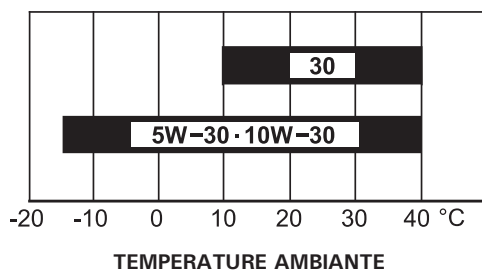
PRECAUTION :

L'utilisation d'une huile moteur non détergente ou 2 temps peut raccourcir la durée de service de moteur.

Huile préconisée

Utiliser une huile moteur 4 temps répondant ou dépassant les prescriptions pour la classe service API SE ou ultérieure (ou équivalente). Toujours vérifier l'étiquette de service API sur le bidon d'huile pour s'assurer qu'elle porte bien la mention SE ou ultérieure (ou équivalente).

Avant l'utilisation, lire attentivement les instructions figurant sur le bidon d'huile.

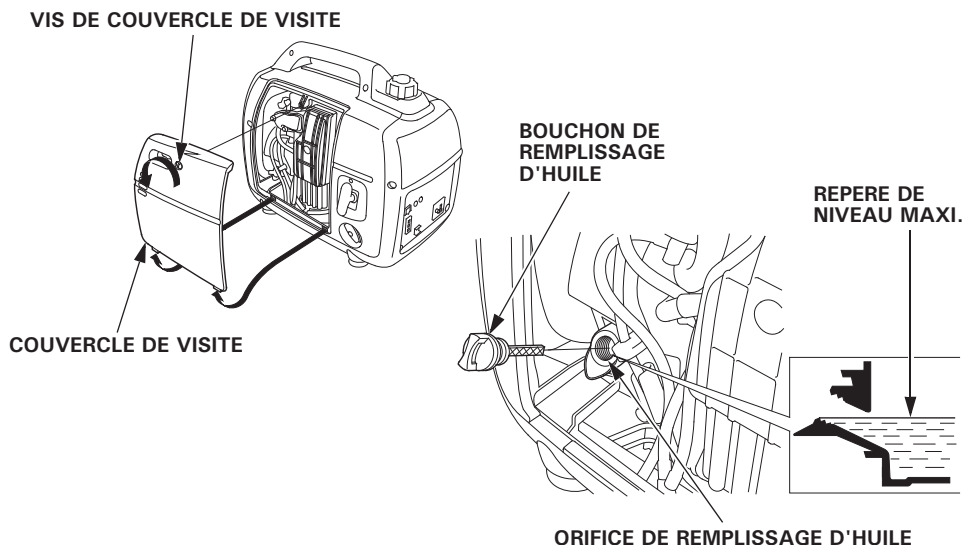


L'indice SAE 10W-30 est préconisé pour un usage général. Les autres viscosités d'huile figurant dans le tableau peuvent être utilisées lorsque la température moyenne de la région d'utilisation de la machine se situe dans la plage recommandée.

- (1) Desserrer la vis du couvercle de visite et déposer le couvercle de visite.
- (2) Déposer le bouchon de remplissage d'huile.
- (3) Contrôler le niveau d'huile. S'il est plus bas que le niveau maxi, faire l'appoint d'huile préconisée jusqu'au niveau maxi.
- (4) Reposer fermement le bouchon de remplissage d'huile.

PRECAUTION :

L'utilisation du moteur avec une quantité d'huile insuffisante peut l'endommager sérieusement.



REMARQUE :

Le système d'alerte d'huile arrête automatiquement le moteur avant que le niveau d'huile ne tombe au-dessous de la limite de sécurité. Pour éviter l'inconvénient d'un arrêt imprévu, il demeure néanmoins conseillé de contrôler visuellement le niveau d'huile régulièrement.

2. Vérifier le niveau de carburant.

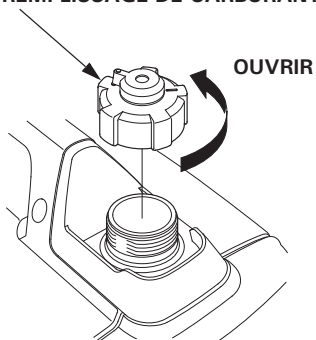
Si le niveau de carburant est bas, refaire le plein du réservoir jusqu'au niveau spécifié. Après avoir fait l'appoint, serrer à fond le bouchon de dispositif de remplissage d'essence.

Utiliser de l'essence automobile sans plomb ayant un indice d'octane recherche d'au moins 91 (ou un indice d'octane à la pompe d'au moins 86). Ne jamais utiliser d'essence souillée ou stagnante ou un mélange huile/essence. Eviter toute pénétration d'impuretés ou d'eau dans le réservoir de carburant.

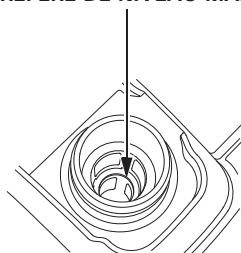
⚠ ATTENTION

- L'essence est hautement inflammable et peut exploser dans certaines conditions.
- Faire le plein dans un endroit bien aéré, le moteur arrêté. Ne pas fumer ou approcher de flammes vives ou d'étincelles près du lieu où plein est effectué et près du lieu de stockage de l'essence.
- Ne pas trop remplir le réservoir d'essence (il ne doit pas y avoir d'essence audessus de la marque de limite supérieure). Après avoir refait le plein, s'assurer que le bouchon de remplissage de carburant est correctement et solidement fermé.
- Faire attention à ne pas renverser d'essence pendant le remplissage du réservoir. Des vapeurs d'essence ou de l'essence renversée peuvent s'enflammer. Avant de mettre le moteur en marche, s'assurer que l'essence renversée a séché et que les vapeurs sont dissipées.
- Eviter le contact direct de l'essence sur la peau ou de respirer les vapeurs. **TENIR HORS DE PORTEE DES ENFANTS.**

BOUCHON DE REMPLISSAGE DE CARBURANT



REPÈRE DE NIVEAU MAXI



REMARQUE :

L'essence se dégrade très rapidement sous l'effet de facteurs tels qu'exposition à la lumière, la température et le temps.

Au pire des cas, l'essence peut être contaminée en moins de 30 jours.

L'utilisation d'essence contaminée peut endommager sérieusement le moteur (obstruction du carburateur, grippage des soupapes).

Les dommages dus au carburant dégradé ne sont pas couverts par la garantie.

Pour éviter ceci, observer rigoureusement ces recommandations :

- N'utiliser que l'essence spécifiée (voir page 18).
- Utiliser de l'essence fraîche et propre.
- Pour ralentir la dégradation, conserver l'essence dans un récipient de carburant certifié.
- Avant un long remisage (plus de 30 jours), vidanger le réservoir de carburant et le carburateur (voir page 46).

Essences contenant de l'alcool

En cas d'utilisation d'une essence contenant de l'alcool ('essence-alcool'), s'assurer que son indice d'octane est au moins égal à l'indice recommandé.

Il existe deux types "d'essence-alcool" : le premier contient de l'éthanol, le second du méthanol.

Ne pas utiliser une essence-alcool contenant plus de 10 % d'éthanol.

Ne pas utiliser une essence contenant plus de 5 % de méthanol (alcool méthylique ou alcool de bois) ou une essence contenant du méthanol, à moins qu'elle ne contienne également des cosolvants et des inhibiteurs de corrosion pour méthanol.

REMARQUE :

- Les dommages du système d'alimentation en carburant ou les problèmes de performances du moteur résultant de l'utilisation d'une essence contenant plus d'alcool que ce qui est recommandé ne sont pas couverts par la garantie.
- Avant de se ravitailler dans une station-service que l'on connaît mal, essayer de savoir si l'essence contient de l'alcool, quel est le type d'alcool utilisé et dans quel pourcentage.

Si l'on constate des anomalies de fonctionnement lors de l'utilisation d'une essence particulière, revenir à une essence que l'on sait ne pas contenir plus d'alcool que la quantité recommandée.

3. Contrôler le filtre à air.

Vérifier les éléments du filtre à air pour s'assurer qu'ils sont bien propres et en bon état.

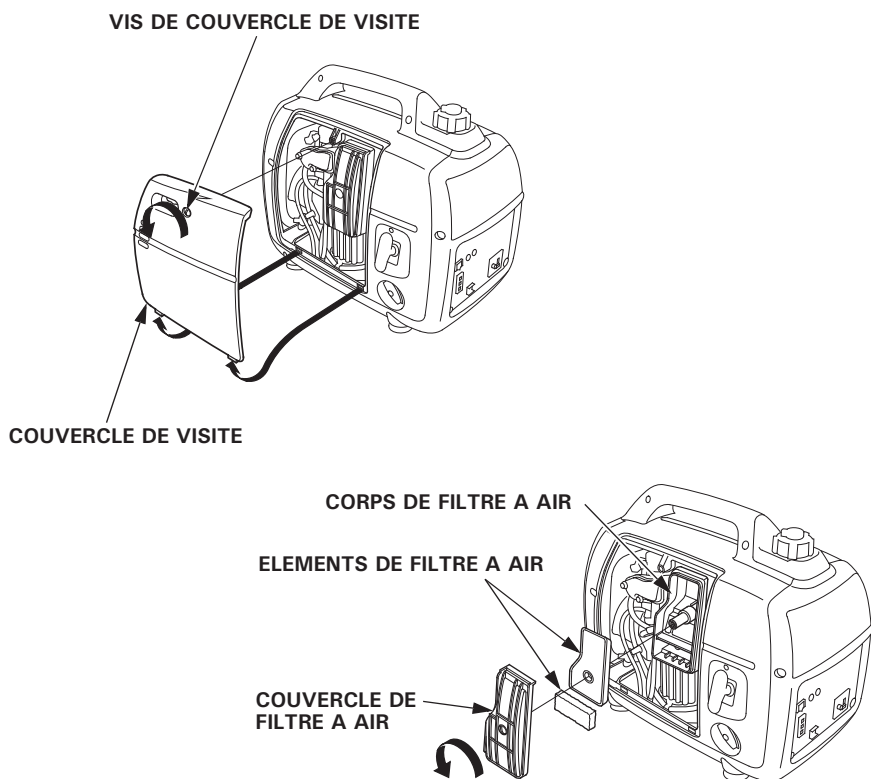
Desserrer la vis du couvercle de visite et déposer le couvercle de visite.

Enfoncer la patte de verrouillage au-dessus du boîtier de filtre à air, déposer le couvercle de filtre à air et vérifier les éléments.

Nettoyer ou remplacer les éléments si nécessaire (voir page 42).

PRECAUTION :

Ne jamais faire fonctionner le moteur sans les éléments de filtre à air. Des impuretés telles que poussière et saleté aspirées dans le moteur à travers le carburateur entraîneraient une usure rapide du moteur.



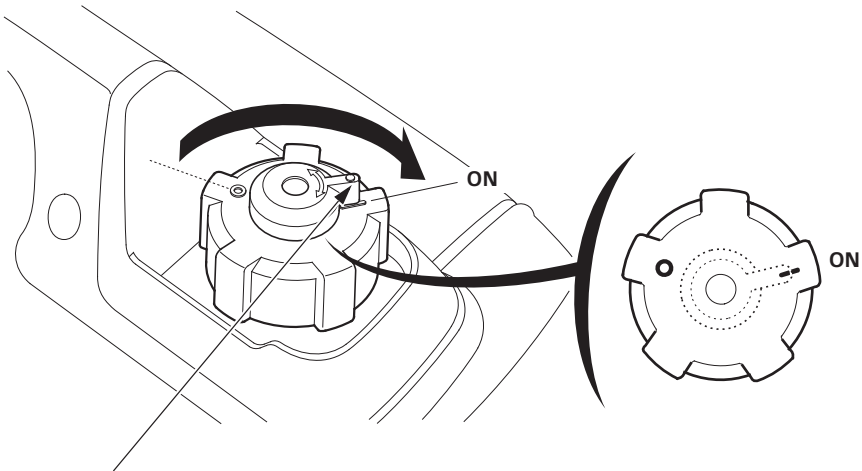
5. DEMARRAGE DU MOTEUR

Avant de mettre en marche le moteur, déconnecter toute charge de la prise secteur.

1. Tourner le levier de bouchon d'essence à fond dans le sens des aiguilles d'une montre vers la position "ON" (ouvert).

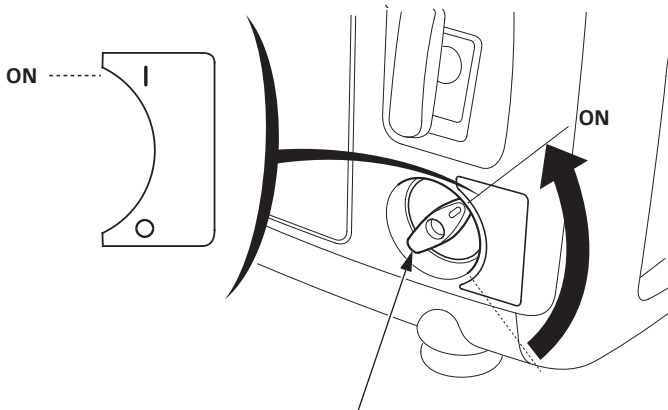
REMARQUE :

Placer le levier d'évent du bouchon de réservoir de carburant sur la position OFF avant de transporter le groupe électrogène.



LEVIER D'EVENT DE BOUCHON DE CARBURANT

2. Placer le commutateur du moteur sur la position ON (Marche).

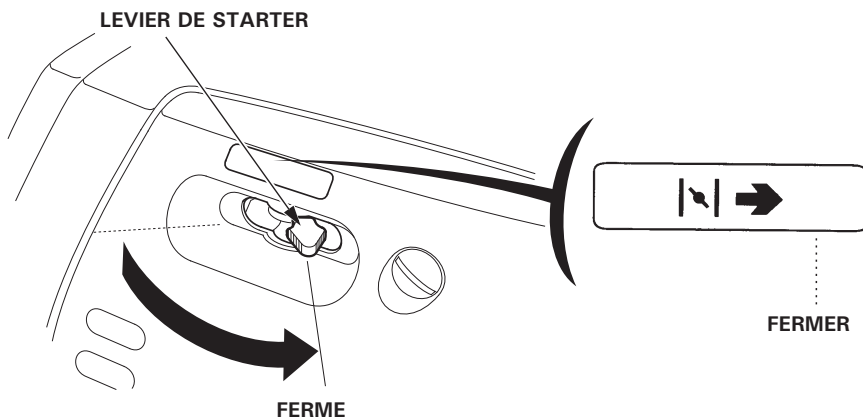


COMMUTATEUR DE MOTEUR

3. Amener le levier de starter à la position fermée (CLOSED).

REMARQUE :

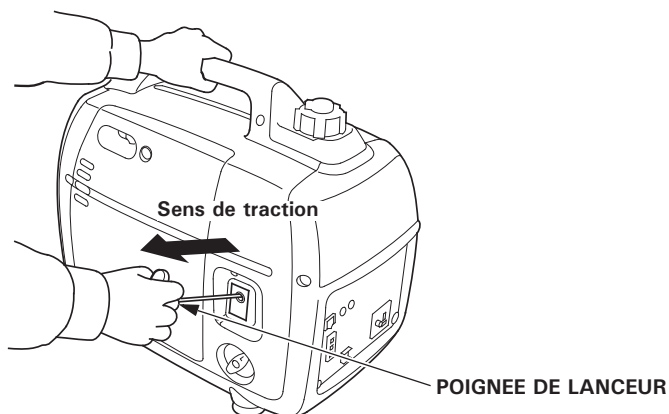
Ne pas utiliser le starter lorsque le moteur est chaud ou la température de l'air élevée.



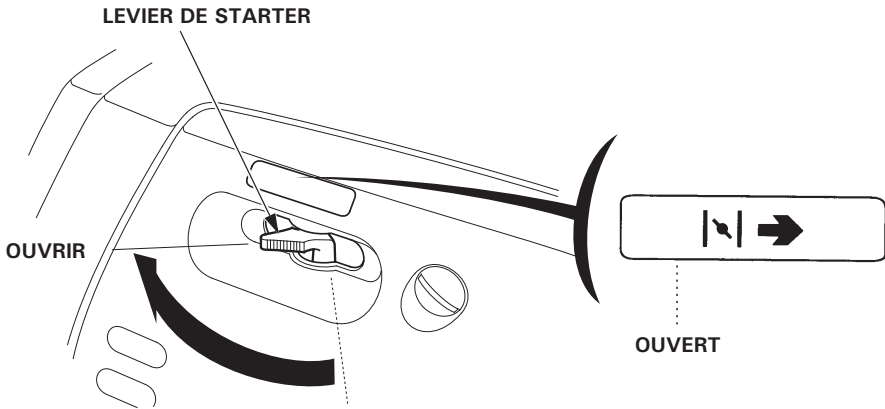
4. Tirer doucement la poignée de lanceur jusqu'à ressentir une résistance, puis la tirer d'un coup sec dans le sens de la flèche comme sur la figure ci-dessous.

PRECAUTION :

- Il se peut que la poignée de lanceur revienne en arrière très rapidement avant d'être lâchée. Ceci peut tirer avec force votre main vers le moteur et provoquer des blessures.
- Ne pas laisser la poignée de lanceur revenir brusquement. La ramener lentement à la main.



5. Déplacer le levier du starter vers la position "OPEN" (ouvert) dès que le moteur chauffe.



REMARQUE :

Si le moteur s'arrête et ne redémarre pas, vérifier le niveau d'huile du moteur (voir page 17) avant de rechercher l'origine du problème dans d'autres parties.

• **Modification du carburateur pour une utilisation à haute altitude**

A haute altitude, le mélange air-carburant du carburateur standard est trop riche. Les performances diminuent et la consommation augmente. Un mélange très riche encrasse aussi la bougie et rend difficile le démarrage. L'utilisation à une altitude différente de celle à laquelle le moteur a été certifié, pendant une durée prolongée, peut augmenter la pollution.

Il est possible d'améliorer les performances à haute altitude par des modifications spécifiques du carburateur. Si l'on utilise toujours le groupe électrogène à des altitudes supérieures à 1 500 mètres, demander au concessionnaire d'entretien d'effectuer ces modifications du carburateur. Ce moteur, quand il est utilisé à haute altitude avec les modifications de carburateur correspondantes, est conforme à toutes les normes antipollution pendant toute sa durée de vie utile.

Même avec la modification du carburateur, la puissance du moteur diminue d'environ 3,5 % par 300 mètres d'altitude supplémentaire. L'effet de l'altitude sur la puissance est plus important sans les modifications du carburateur.

PRECAUTION :

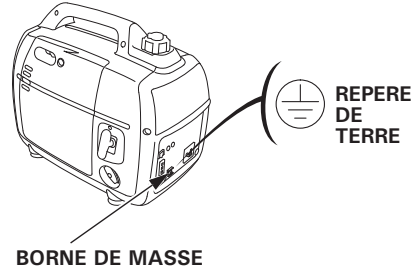
Les performances du groupe électrogène sont amoindries s'il est utilisé à une altitude inférieure à celle pour laquelle l'alimentation du carburateur a été réglée ; le moteur chauffe et est endommagé par un mélange stoechiométrique trop riche.

6. UTILISATION DU GROUPE

Le groupe électrogène produit une puissance électrique suffisamment importante pour provoquer un choc électrique grave ou une électrocution s'il est mal utilisé.

Si l'appareil connecté est relié à la masse, mettre également le groupe électrogène à la masse.

Pour la mise à la masse de la borne du groupe électrogène, utiliser un fil en cuivre d'un diamètre égal ou supérieur au cordon de l'appareil branché.

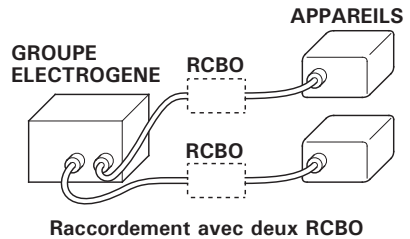
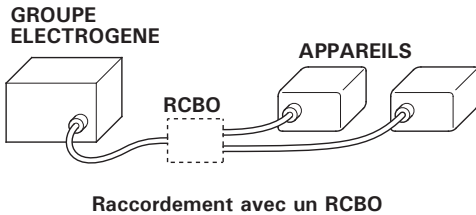


Utiliser un cordon prolongateur avec fil de masse lors du branchement d'un appareil avec fil de masse.

Pour identifier la broche de masse dans la fiche, voir PRISE, page 54 .

Connecter un RCBO (coupe-circuit différentiel résiduel avec protection contre les surintensités) de 30 mA de détection de fuite à la terre et coupure en moins de 0,4 seconde à plus de 30 A de courant de sortie, si l'on utilise deux appareils ou plus.

Suivre les instructions fournies par chaque fabricant de RCBO avant l'emploi.



⚠ ATTENTION

Un raccordement incorrect au réseau électrique pourrait entraîner un retour du courant électrique généré par le groupe électrogène dans le réseau public. Un tel retour du courant peut provoquer l'électrocution du personnel de la compagnie d'électricité, ou de toute autre personne, travaillant sur le réseau pendant une panne de courant, et le groupe électrogène risque d'exploser, brûler ou causer un incendie lors du rétablissement du courant.

Avant d'effectuer des raccordements électriques, consulter la compagnie d'électricité ou un électricien qualifié.

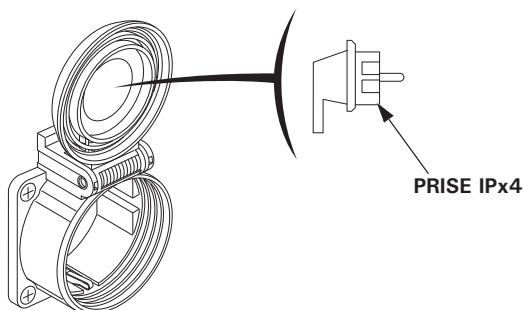
PRECAUTION :

- Ne pas dépasser la limite d'intensité spécifiée pour chaque prise.
- Ne pas modifier le groupe électrogène et ne pas l'utiliser dans un autre but que celui prévu. Observer également les points suivants.
- Ne pas connecter un tuyau de rallonge au tuyau d'échappement.
- Lorsqu'il est nécessaire d'ajouter un câble rallonge, utiliser un câble blindé flexible et robuste (IEC 245 ou équivalent).
- Longueur limite des câbles de rallonge; 60 m pour les câbles de 1,5 mm² et 100 m pour les câbles de 2,5 mm². Des câbles de rallonge trop longs réduisent la puissance utilisable car leur résistance est plus grande.
- Installer le groupe électrogène loin de tous câbles ou fils électriques, tels que les câbles d'alimentation du réseau d'électricité.

⚠ ATTENTION

Type GW1

Pour raccorder une prise à l'équerre, veiller à bien utiliser une prise IPx4.

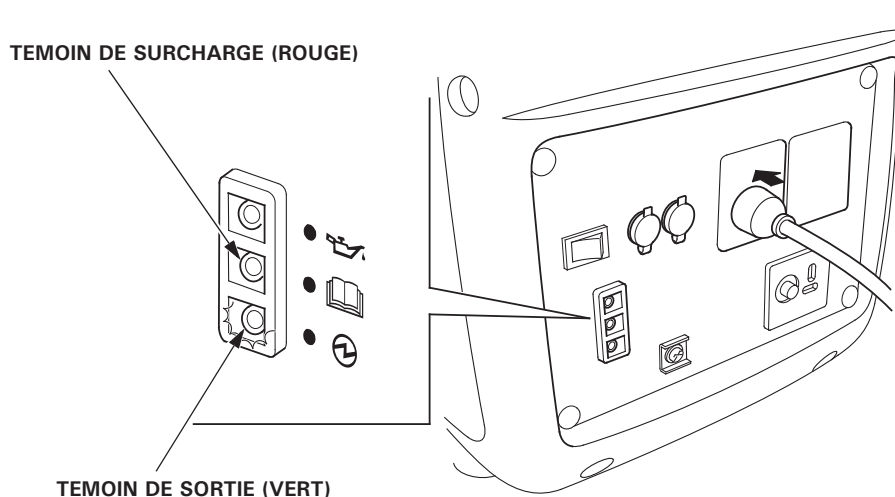


REMARQUE :

- La prise CC peut être utilisée alors que l'alimentation secteur est utilisée.
Si l'on utilise les deux en même temps, ne pas dépasser la puissance CA maximale.
Puissance CA maximale : 1,5 kVA
- La plupart des moteurs des équipements branchés exigent une puissance supérieure à la puissance nominale lors du démarrage.
- S'assurer que les caractéristiques électriques nominales de l'outil ou de l'appareil ne dépassent pas celles du groupe électrogène. Ne jamais dépasser la puissance maximale nominale du groupe électrogène. Ne pas utiliser une puissance comprise entre la valeur nominale et la valeur maximale pendant plus de 30 minutes.
- Une surcharge importante déclenche le protecteur de circuit CA (sauf type U). Un dépassement de la durée limite de fonctionnement à la puissance maximale ou un léger dépassement de charge du groupe électrogène peut ne pas déclencher le protecteur de circuit CA, mais raccourcit la durée de service du groupe électrogène.
- Limiter l'utilisation nécessitant une puissance maximum à 30 minutes. La puissance maximale est de : 2,0 kVA
- Pour une utilisation en continu, ne pas dépasser la puissance nominale. La puissance nominale est de : 1,6 kVA
- Dans les deux cas, la puissance totale requise (VA) de tous les appareils branchés doit être prise en compte.

Applications CA

1. Mettre le moteur en marche et s'assurer que le témoin de sortie) (vert) s'allume.
2. Confirmer que l'appareil à utiliser est hors tension, et brancher l'appareil.



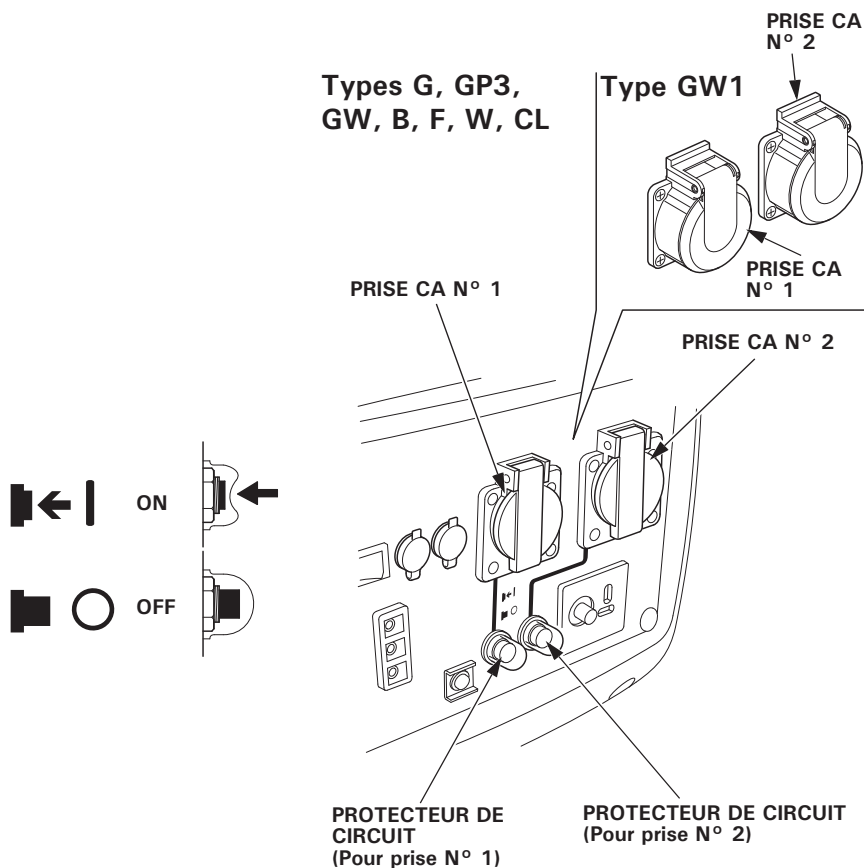
PRECAUTION :

- Une surcharge importante qui fait continuellement s'allumer le témoin de surcharge (rouge) peut endommager le groupe électrogène. Une surcharge marginale qui fait s'allumer temporairement le témoin de surcharge (rouge) peut raccourcir la durée de service du groupe électrogène.
- S'assurer que tous les appareils sont en bon état de fonctionnement avant de les brancher au groupe électrogène. Le matériel électrique (y compris les connexions des câbles et fiches) ne doit pas être défectueux. Si un appareil se met à fonctionner anormalement, s'il fonctionne paresseusement ou s'arrête brusquement, placer immédiatement le commutateur de moteur du groupe électrogène sur arrêt. Débrancher ensuite l'appareil et vérifier s'il ne présente pas des signes d'anomalie.

Protecteur de circuit CA (Types G, GP3, GW, GW1, B, F, W, CL)

Les protecteurs de circuit CA se déclenchent automatiquement (leur bouton sort) en cas de court-circuit ou de surcharge importante du groupe électrogène à une prise.

Si le contacteur d'un protecteur de circuit CA se déclenche automatiquement, s'assurer avant de le réenclencher (en enfonçant son bouton) que l'appareil branché fonctionne correctement et ne dépasse pas la capacité de charge nominale du circuit.



Témoins de sortie et de surcharge

Le témoin de sortie (vert) reste allumé dans des conditions de fonctionnement normales.

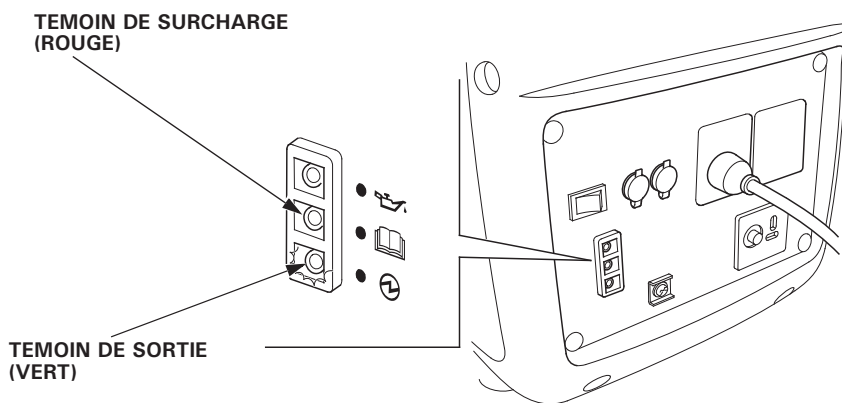
De plus, le témoin de surcharge possède une fonction de compteur d'heures simplifiée. Lorsque le moteur est mis en marche, le clignotement du témoin est lié au nombre total d'heures d'utilisation du groupe électrogène, de la manière suivante :

- Pas de clignotement : 0–100 heures
- 1 clignotement : 100–200 heures
- 2 clignotement : 200–300 heures
- 3 clignotements : 300–400 heures
- 4 clignotements : 400–500 heures
- 5 clignotements : 500 heures ou plus

En cas de surcharge du groupe électrogène (voir page 27) ou de court-circuit de l'appareil branché, le témoin de sortie (vert) s'éteint, le témoin de surcharge (rouge) s'allume et le courant vers l'appareil raccordé est coupé.

Si le témoin de surcharge (rouge) s'allume, arrêter le moteur et rechercher la cause de la surcharge.

- Avant de connecter un appareil au groupe électrogène, vérifier s'il est en bon état et si son indice électrique ne dépasse pas celui du groupe électrogène. Connecter ensuite le câble d'alimentation de l'appareil et mettre le moteur en marche.



REMARQUE :

Lorsqu'un moteur électrique est mis en marche, il se peut que le témoin de surcharge (rouge) et le témoin de sortie (vert) s'allument tous deux simultanément. Ceci est normal si le témoin de surcharge (rouge) s'éteint après environ 4 secondes. Si le témoin de surcharge (rouge) reste allumé, consulter le concessionnaire de groupes électrogènes Honda.

Utilisation en parallèle

Lire la section "UTILISATION DU GROUPE" avant de connecter tout équipement à utiliser.

N'utiliser qu'un boîtier de prise de courant pour fonctionnement en parallèle agréé par Honda (en option) lorsqu'on raccorde deux groupes électrogènes EU20i pour un fonctionnement en parallèle.

S'assurer que les caractéristiques électriques nominales de l'outil ou de l'appareil ne dépassent pas celles du groupe électrogène. Ne jamais dépasser la puissance maximale nominale du groupe électrogène. Ne pas utiliser une puissance comprise entre la valeur nominale et la valeur maximale pendant plus de 30 minutes.

Limiter l'utilisation nécessitant une puissance maximum à 30 minutes. La puissance maximum en fonctionnement en parallèle est :

Sauf type U : 3,6 kVA

Type U : 4,0 kVA

Pour une utilisation en continu, ne pas dépasser la puissance nominale. La puissance nominale en fonctionnement en parallèle est : 3,2 kVA

Dans les deux cas, la puissance totale requise (VA) de tous les appareils branchés doit être prise en compte.

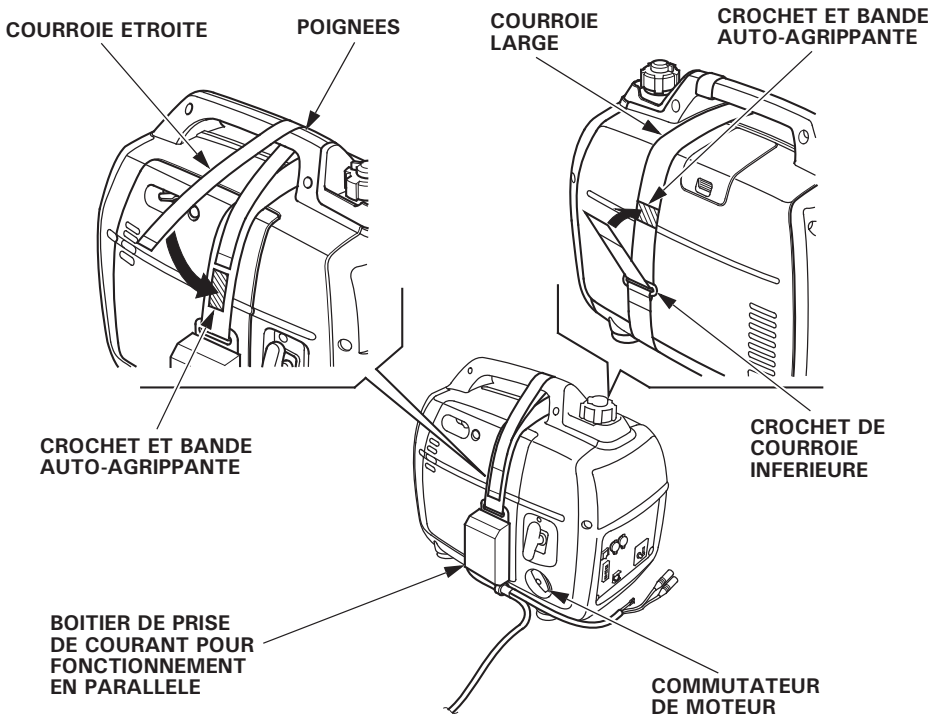
PRECAUTION :

Une surcharge importante qui fait continuellement s'allumer le témoin de surcharge (rouge) peut endommager le groupe électrogène. Une surcharge marginale qui fait s'allumer temporairement le témoin de surcharge (rouge) peut raccourcir la durée de service du groupe électrogène.

⚠ ATTENTION

- Ne jamais raccorder des modèles et types de groupes électrogènes différents.
- Ne jamais raccorder d'autre câble que celui du boîtier de prise de courant pour fonctionnement en parallèle.
- Arrêter le moteur avant de brancher ou débrancher le boîtier de prise de courant pour fonctionnement en parallèle.
- Pour un fonctionnement en solo, il faut débrancher le boîtier de prise de courant pour fonctionnement en parallèle.

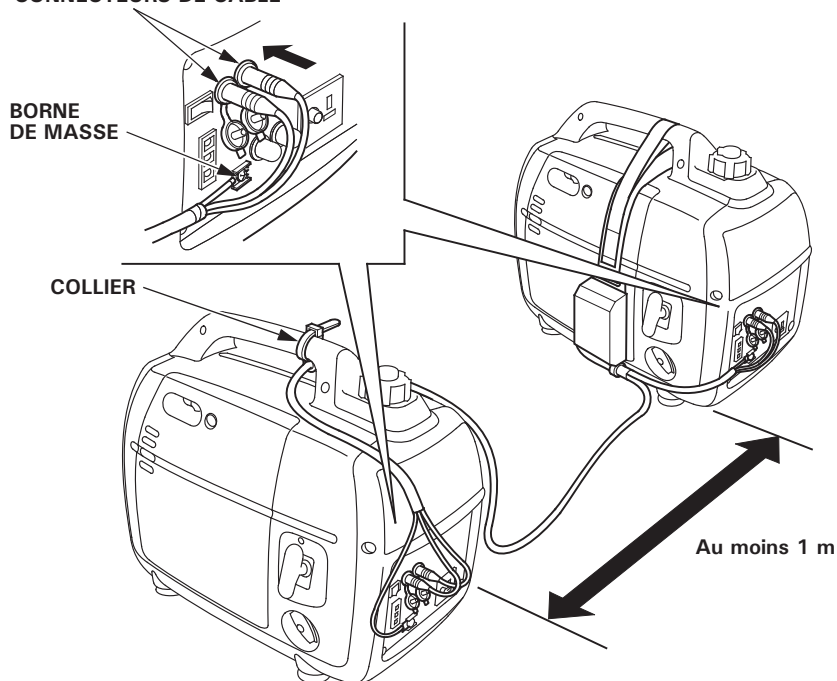
1. Monter le boîtier de prise de courant pour fonctionnement en parallèle sur le groupe électrogène et le fixer à l'aide de la sangle de calage, comme illustré.
- Fixer la courroie sur le côté avant de la poignée.
 - Fixer la courroie étroite à la poignée avec le crochet et la bande auto-agrippante.
 - Faire passer la courroie large supérieure à travers le crochet de courroie inférieure et la fixer avec le crochet et la bande auto-agrippante.
 - Faire passer les fils du boîtier de prise de courant pour fonctionnement en parallèle sous le commutateur du moteur.
 - Poser les courroies sans laisser de mou.



2. Brancher les connecteurs de câble et les bornes de masse du boîtier de prise de courant pour fonctionnement en parallèle aux groupes électrogènes et fixer la bride de câble à la poignée.

- Lors d'un fonctionnement en parallèle, placer les deux groupes électrogènes à au moins 1 mètre l'un de l'autre.
- Faire passer le fil à travers la poignée et le serrer à la poignée à l'aide du collier.
- Ne pas laisser de mou dans le fil du côté de la poignée de lanceur.
- Brancher le fil le plus long au groupe électrogène sur lequel n'est pas installé le boîtier de prise de courant pour fonctionnement en parallèle.
- Ne pas installer les groupes électrogènes avec leurs côtés d'échappement tournés l'une vers l'autre.

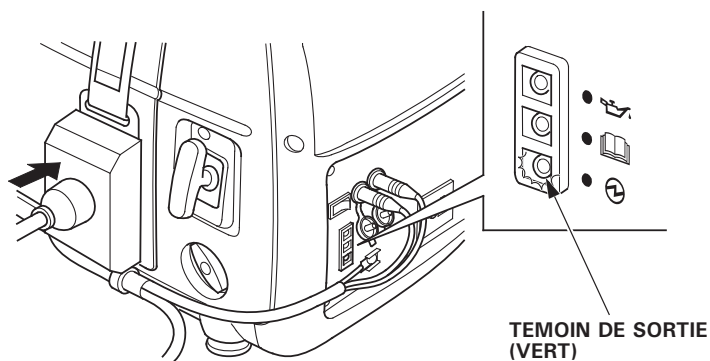
CONNECTEURS DE CÂBLE



3. Relier la borne de masse de l'un des groupes électrogènes à la terre.

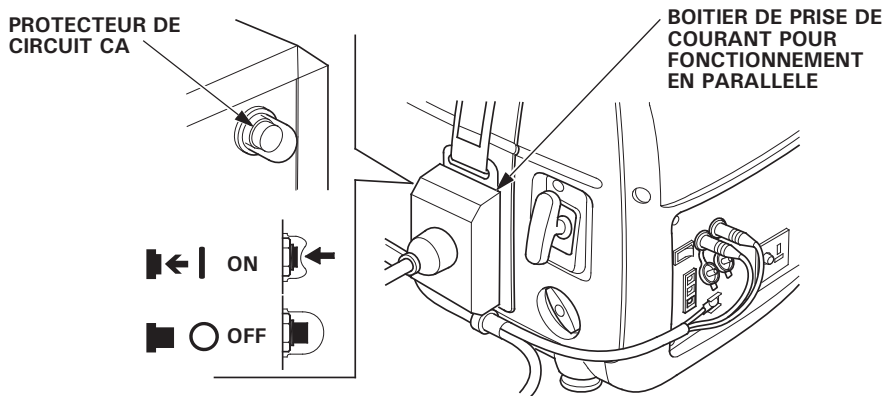
- Si un appareil branché est relié à la terre, connecter également le groupe électrogène à la terre.

4. Mettre les moteurs en marche et s'assurer que les témoins de sortie (verts) s'allument.
5. Confirmer que l'appareil à utiliser est hors tension, et brancher l'appareil.
6. Allumer l'équipement branché à utiliser.



Protecteur de circuit CA (Sauf Type U)

Le protecteur de circuit CA du boîtier de prise de courant pour fonctionnement en parallèle se déclenche automatiquement (son bouton sort) en cas de court-circuit ou de surcharge importante du groupe électrogène à une prise. Si un protecteur de circuit CA coupe automatiquement le circuit, s'assurer que l'appareil branché fonctionne correctement et ne dépasse pas la capacité de charge nominale (16 A) du circuit avant de réenclencher le protecteur de circuit CA (d'enfoncer le bouton).



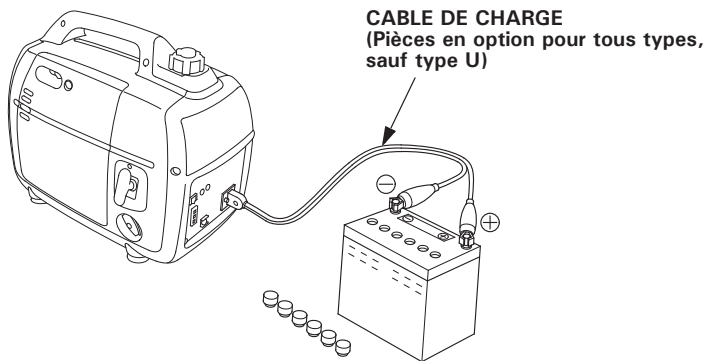
Applications CC

La prise CC peut être utilisée pour charger des batteries automobiles de 12 volts seulement.

REMARQUE :

Lors d'une utilisation CC, placer l'interrupteur Eco Throttle sur la position OFF.

1. Connecter les câbles de charge à la prise CC du groupe électrogène, puis aux bornes de batterie.



⚠ ATTENTION

- Pour éviter la possibilité d'étincelle à proximité de la batterie, connecter en premier le câble de charge au groupe électrogène, puis à la batterie. Commencer par déconnecter le câble au niveau de la batterie.
- Avant de connecter le câble de charge à une batterie installée sur un véhicule, déconnecter le câble de batterie du véhicule. Reconnecter le câble de la batterie du véhicule une fois que les câbles de charge ont été enlevés. Le fait de procéder de cette manière élimine toute possibilité de court-circuit et de formation d'étincelles en cas de contact accidentel entre une borne de la batterie et le châssis ou la carrosserie du véhicule.

PRECAUTION :

- Ne pas essayer de faire démarrer le moteur d'une automobile tant que le groupe électrogène est connecté à sa batterie. Ceci pourrait endommager le groupe électrogène.
- Connecter la borne positive de la batterie au câble de charge positif. Ne pas inverser les câbles de charge, car cela pourrait endommager gravement le groupe électrogène et/ou la batterie.

⚠ ATTENTION

- Les batteries dégagent des gaz explosifs. S'ils s'enflamment, une explosion peut provoquer de graves brûlures de la peau ou des yeux. Assurer une ventilation adéquate lors de la mise en charge.
- **PRODUIT CHIMIQUE DANGEREUX** : L'électrolyte de batterie contient de l'acide sulfurique. Un contact avec les yeux ou la peau, même à travers un vêtement, peut provoquer de graves brûlures. Porter une visière et des vêtements de protection.
- Ne pas approcher de flammes et d'étincelles et ne pas fumer dans la zone de travail.

ANTIDOTE : Si de l'électrolyte rentre dans les yeux, rincer à fond avec de l'eau chaude pendant au moins 15 minutes et consulter immédiatement un médecin.

- **POISON** : L'électrolyte est un poison.

ANTIDOTE

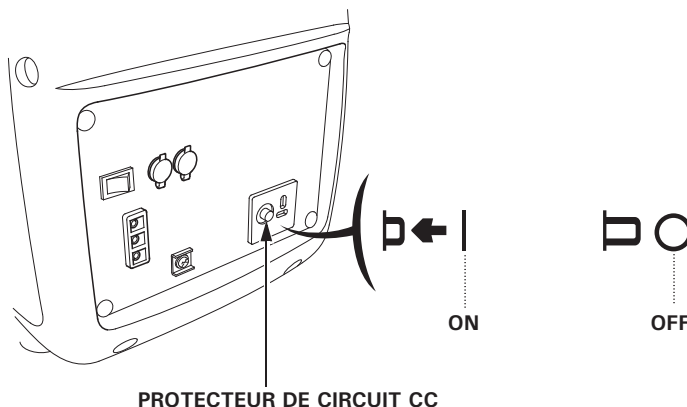
- Externe : Rincer abondamment à l'eau.
 - Interne : Boire de grandes quantités d'eau ou de lait, puis de la magnésie hydratée ou de l'huile végétale et consulter immédiatement un médecin.
- **TENIR HORS DE PORTEE DES ENFANTS.**

2. Démarrer le moteur.

REMARQUE :

- La prise CC peut être utilisée alors que l'alimentation secteur est utilisée.
- En cas de surcharge du circuit CC, son dispositif de protection se déclenche automatiquement (bouton sorti).

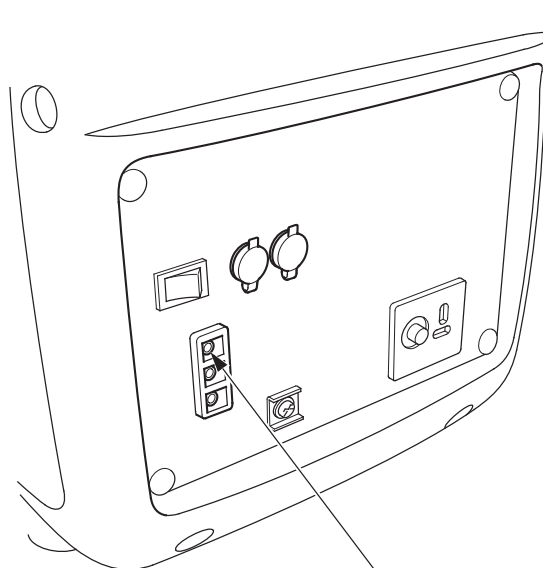
Dans ce cas, attendre quelques minutes avant de renfoncer le bouton pour remettre le groupe en marche.



Système d'alerte d'huile

Le système d'alerte d'huile est conçu pour empêcher des dommages au moteur causés par une quantité d'huile insuffisante dans le carter moteur. Avant que le niveau d'huile du carter moteur ne tombe en-deçà d'une limite sûre, le système d'alerte d'huile arrête automatiquement le moteur (le commutateur de moteur reste en position "ON" (marche)).

Si le système d'alerte d'huile arrête le moteur, le témoin d'alerte d'huile (rouge) s'allume lorsqu'on actionne le démarreur, et le moteur ne tourne pas. Dans un tel cas, vérifier le niveau d'huile moteur (voir page 17).



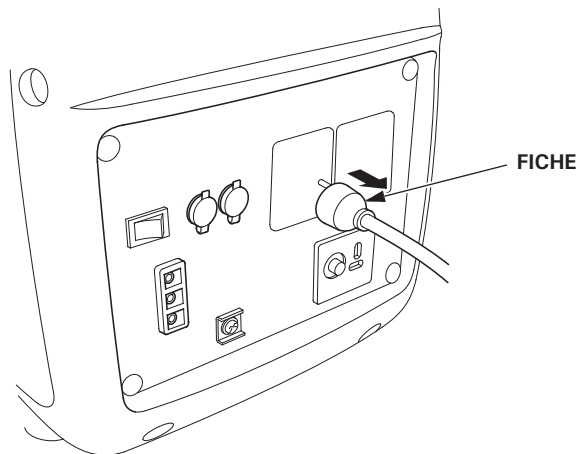
TEMOIN D'ALERTE D'HUILE (ROUGE)

7. ARRET DU MOTEUR

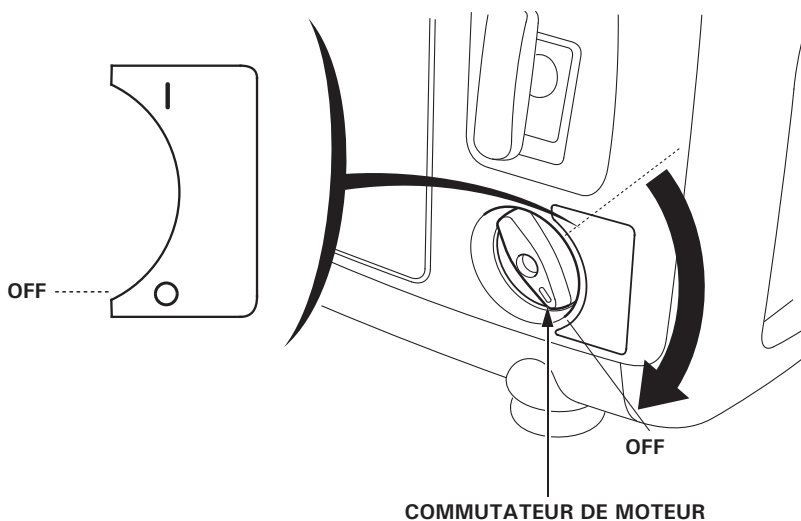
Pour arrêter le moteur en cas d'urgence, tourner le commutateur du moteur vers la position "OFF" (arrêt).

EN USAGE NORMAL :

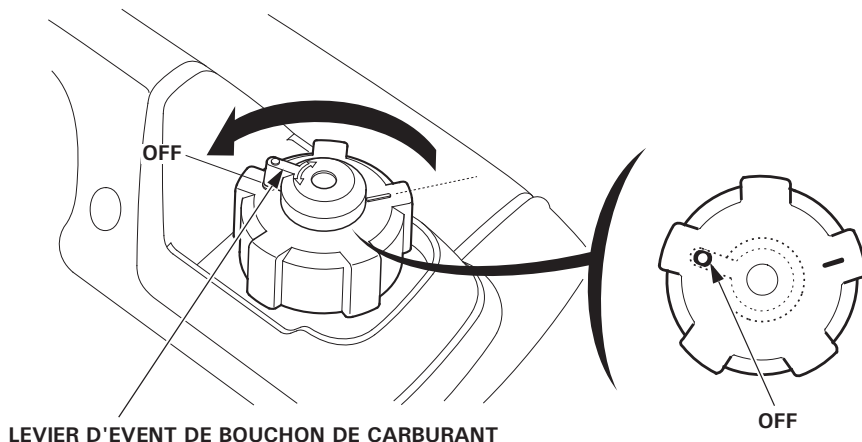
1. Mettre l'équipement connecté hors tension, et tirer la fiche insérée.



2. Mettre le commutateur de moteur sur la position OFF.



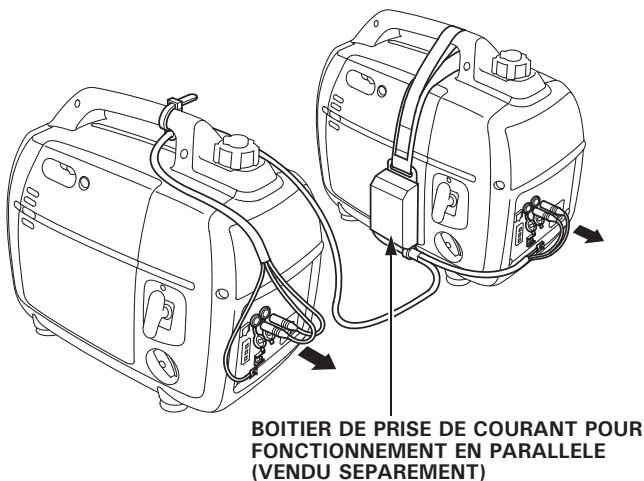
3. Tourner le levier d'évent du bouchon de carburant à fond dans le sens inverse des aiguilles d'une montre sur la position OFF.



PRECAUTION :

S'assurer que le levier d'évent du bouchon de carburant et le commutateur de moteur se trouvent sur la position OFF lors de l'arrêt, du transport et/ou du remisage du groupe électrogène.

4. Après un fonctionnement en parallèle, retirer le boîtier de prise de courant pour fonctionnement en parallèle.



8. ENTRETIEN

Le programme d'entretien et de réglage est destiné à maintenir le groupe électrogène dans des conditions de fonctionnement optimales.

Effectuer les opérations de contrôle et d'entretien comme prévu dans le tableau ci-dessous.

▲ ATTENTION

S'assurer que le moteur est arrêté avant d'effectuer un entretien ou une réparation. Ceci éliminera plusieurs risques potentiels :

- **Empoisonnement par le monoxyde de carbone présent dans les gaz d'échappement. Avant de faire tourner le moteur, toujours s'assurer que l'aération est suffisante.**
- **Brûlures provoquées par des pièces à haute température. Attendre que le moteur et le système d'échappement soient froids avant de les toucher.**
- **Blessures par pièces mobiles. Ne faire tourner le moteur que si cela est indiqué dans le manuel.**

Le silencieux devient brûlant pendant le fonctionnement et reste chaud quelques temps après l'arrêt du moteur. Prendre garde de ne pas toucher le silencieux tant qu'il est brûlant. Attendre que le moteur se soit refroidi avant toute intervention.

PRECAUTION :

Utiliser des pièces d'origine Honda ou leurs équivalents. Des pièces de rechange de qualité non équivalente peuvent endommager le groupe électrogène.

Programme d'entretien

INTERVALLE D'ENTRETIEN REGULIER (1) Action à effectuer à chaque mois ou après chaque durée de fonctionnement préconisée, au premier des deux termes échus.		A chaque utilisation	Premier mois ou 20 h	Tous les 3 mois ou 50 h	Tous les 6 mois ou 100 h	Tous les ans ou 200 h
ELEMENT						
Huile moteur	Contrôler le niveau	o				
	Remplacer		o		o	
Filtre à air	Contrôler	o				
	Nettoyer			o (2)		
Bougie	Contrôler-Régler				o	
	Remplacer					o
Jeu aux soupapes	Contrôler-Régler					o (3)
Chambre de combustion	Nettoyer	Toutes les 300 h (3)				
Réservoir de carburant et filtre	Nettoyer				o (3)	
Tuyau de carburant	Contrôler	Tous les 2 ans (remplacer si nécessaire) (3)				

REMARQUE : (1) Pour une utilisation commerciale, consigner le nombre d'heures de service afin de déterminer la périodicité d'entretien appropriée.

(2) En cas d'utilisation dans des endroits poussiéreux, augmenter la fréquence d'entretien.

(3) L'entretien de ces éléments doit être confié à votre concessionnaire, à moins que l'utilisateur ne dispose des outils appropriés et ne soit mécaniquement compétent. Se reporter au Manuel d'atelier Honda pour les procédures d'entretien.

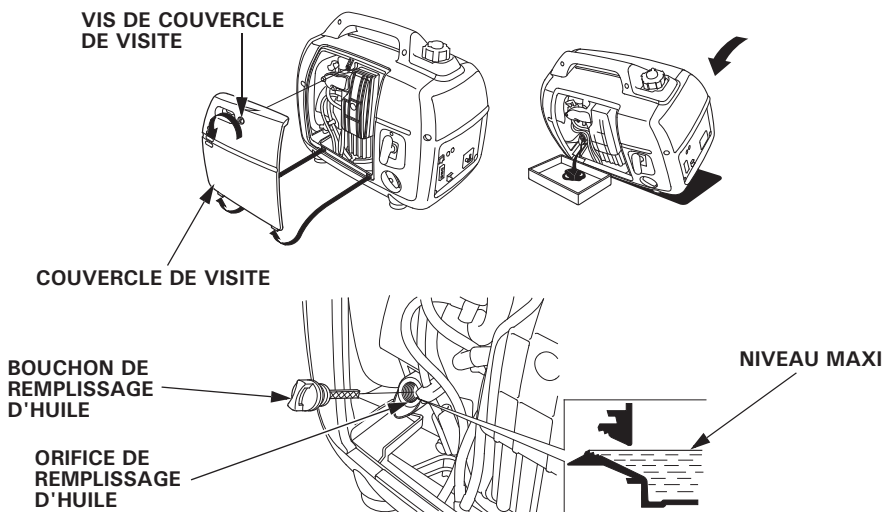
1. REMPLACEMENT DE L'HUILE

Vidanger l'huile lorsque le moteur est chaud afin de garantir une vidange rapide et complète.

PRECAUTION :

Veiller à bien passer le commutateur de moteur et le levier d'évent du bouchon de carburant en position OFF avant de procéder à la vidange.

1. Desserrer la vis du couvercle de visite et déposer le couvercle de visite.
2. Déposer le bouchon de remplissage d'huile.
3. Evacuer totalement l'huile usagée dans un bac approprié.
4. Faire l'appoint d'huile recommandée (voir page 16), et vérifier le niveau d'huile.
5. Essuyer toute huile renversée sur le groupe électrogène.
6. Reposer le couvercle de visite et serrer la vis du couvercle à fond.



Se laver les mains au savon et à l'eau après avoir manipulé l'huile usagée.

REMARQUE :

Respecter la réglementation environnementale en vigueur pour la mise au rebut de l'huile usagée. Nous vous suggérons de la transporter dans un bidon fermé hermétiquement jusqu'à la station-service la plus proche pour recyclage. Ne pas la jeter aux ordures ni la déverser au sol.

2. ENTRETIEN DU FILTRE A AIR

Un filtre à air encrassé limite l'alimentation en air du carburateur. Afin de prévenir tout dysfonctionnement du carburateur, procéder régulièrement à l'entretien du filtre à air. Entretien plus fréquent si le groupe électrogène est utilisé en zones extrêmement poussiéreuses.

⚠ ATTENTION

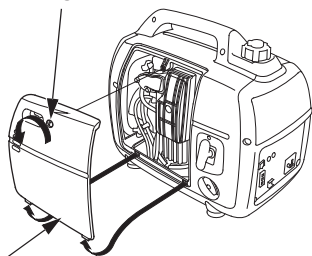
Ne pas utiliser d'essence ou de solvants à faible point d'éclair pour le nettoyage. Ces produits sont inflammables et peuvent exploser sous certaines conditions.

PRECAUTION :

Ne jamais utiliser le groupe électrogène sans filtre à air. au risque d'entraîner une usure prématurée du moteur.

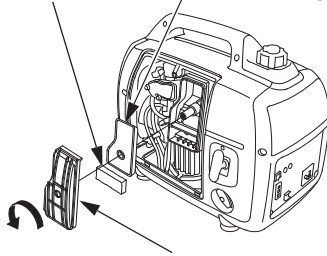
1. Desserrer la vis du couvercle de visite et déposer le couvercle de visite.
2. Desserrer la vis du couvercle de filtre à air et déposer le couvercle de filtre à air.

VIS DE COUVERCLE
DE VISITE



COUVERCLE DE VISITE

ELEMENT DE FILTRE
A AIR EXTERIEUR



COUVERCLE DE FILTRE A AIR

3. Le nettoyer dans de l'eau savonneuse chaude, le rincer et le laisser sécher complètement. Ou le nettoyer dans un solvant à point d'éclair haut et exprimer le solvant en excès. Tremper les éléments de filtre à air principal et extérieur dans de l'huile moteur propre, puis en essorer l'huile en excès. Le moteur fumera lors du démarrage initial si trop d'huile est restée dans la mousse.

Nettoyer



Essorer et sécher

Ne pas tordre.



Immerger
dans l'huile



Essorer

Ne pas tordre.



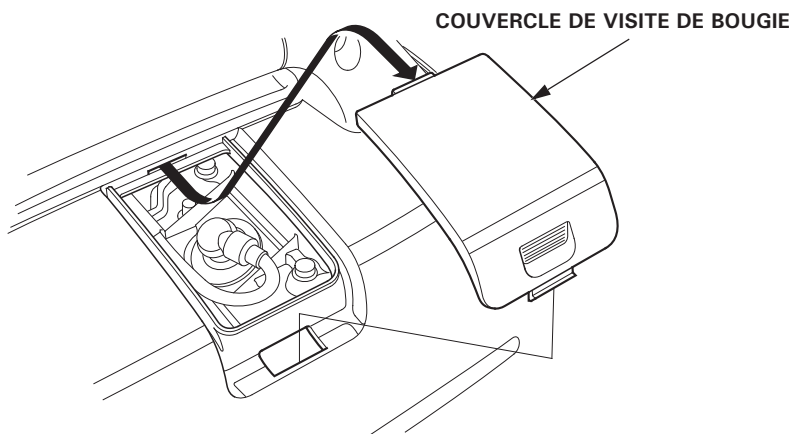
4. Reposer les éléments de filtre à air principal et extérieur et le couvercle de filtre à air. Serrer la vis du couvercle à fond.
5. Reposer le couvercle de visite et serrer la vis du couvercle à fond.

3. ENTRETIEN DE LA BOUGIE D'ALLUMAGE

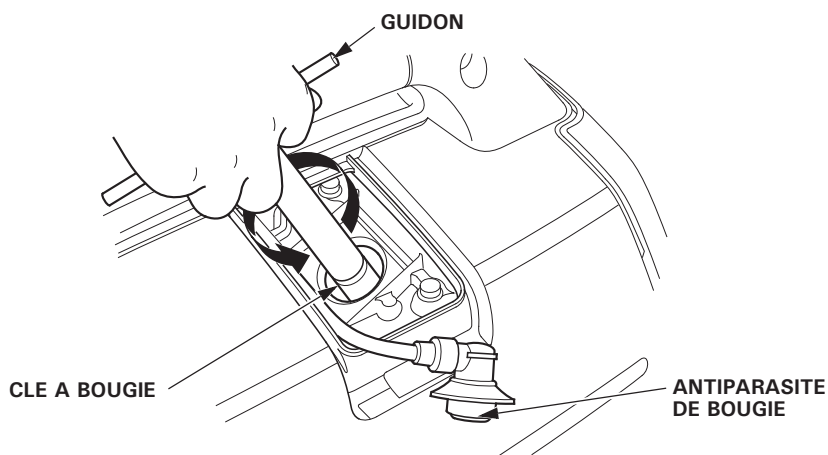
BOUGIE RECOMMANDEE : CR5HSB (NGK)

Pour assurer un bon fonctionnement du moteur, l'écartement des électrodes de la bougie doit être correct et il ne doit pas y avoir des traces de dépôts.

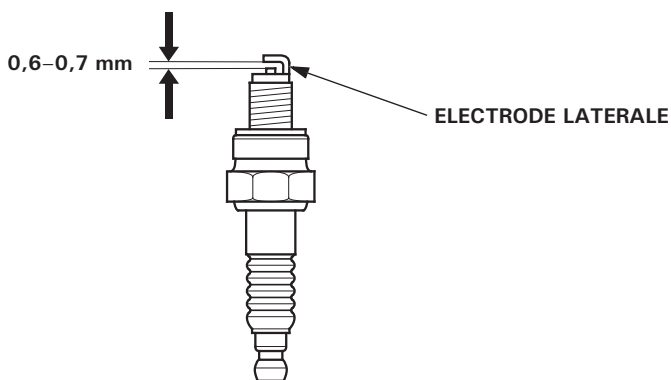
1. Déposer le couvercle de visite de bougie d'allumage.



2. Déposer l'antiparasite de bougie.
3. Nettoyer toute saleté accumulée autour du culot de la bougie.
4. Utiliser un clé à bougie pour déposer la bougie d'allumage.



5. Contrôler visuellement l'état de la bougie. La mettre au rebut si son isolant est fendillé, écaillé ou encrassé. Nettoyer la bougie avec une brosse métallique si elle doit être réutilisée.
6. Mesurer l'écartement des électrodes avec une jauge d'épaisseur. Si nécessaire, le corriger en repliant soigneusement l'électrode latérale. L'écartement des électrodes doit être de :
0,6–0,7 mm



7. Visser la bougie à la main pour empêcher la détérioration des filets.
8. Après avoir vissé une bougie neuve jusqu'en butée, la resserrer de 1/2 tour supplémentaire à l'aide d'une clé afin de comprimer la rondelle. Si elle est usagée, la serrer de 1/8 à 1/4 de tour supplémentaire après butée.
9. Reposer fermement l'antiparasite de bougie sur la bougie d'allumage.
10. Reposer le couvercle de visite de bougie d'allumage.

PRECAUTION :

- La bougie d'allumage doit être bien serrée. Si elle est mal serrée, elle risque de devenir très chaude, ce qui peut entraîner une détérioration du groupe électrogène.
- Ne pas utiliser une bougie d'allumage d'une plage thermique incorrecte.

9. TRANSPORT/REMISAGE

Pour éviter de répandre l'essence lors du transport ou pendant un remisage provisoire, le groupe électrogène doit être maintenu à la verticale dans sa position d'utilisation normale, avec le commutateur de moteur en position OFF (arrêt).

Tourner le levier d'évent du bouchon de carburant à fond dans le sens inverse des aiguilles d'une montre sur la position OFF.

Laisser le moteur se refroidir complètement avant de tourner le levier d'évent du bouchon de carburant sur la position OFF.

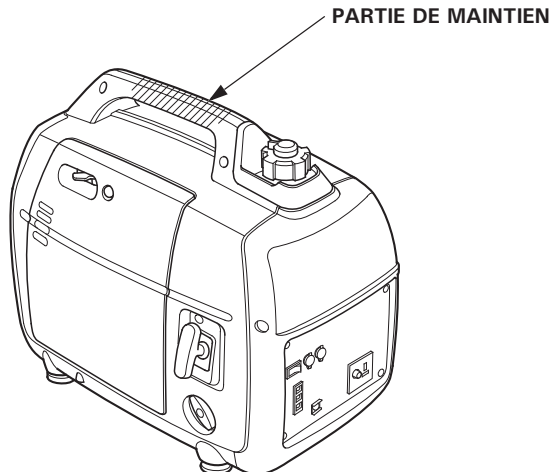
⚠ ATTENTION

Transport du groupe électrogène :

- **Ne pas trop remplir le réservoir (il ne doit pas y avoir d'essence dans le goulot de dispositif de remplissage).**
- **Ne pas faire fonctionner le groupe électrogène lorsqu'il se trouve sur un véhicule. Descendre le groupe électrogène du véhicule et l'utiliser dans un endroit bien aéré.**
- **Eviter un endroit exposé aux rayons directs du soleil en mettant le groupe électrogène sur un véhicule. Si le groupe électrogène est laissé pendant de nombreuses heures dans un véhicule fermé, la température élevée à l'intérieur du véhicule peut faire se vaporiser l'essence, entraînant une possible explosion.**
- **Ne pas conduire sur une route accidentée pendant une période prolongée avec le groupe électrogène à bord. Si vous devez transporter le groupe électrogène sur une route accidentée, vidanger à l'avance l'essence du groupe électrogène.**

REMARQUE :

Pour transporter le groupe électrogène, le tenir par la partie de maintien (parties grisées sur la figure ci-dessous).



Avant de remettre l'appareil pendant une période prolongée :

1. S'assurer que le lieu de remisage n'est pas excessivement humide ou poussiéreux.
2. Vidanger le carburant.

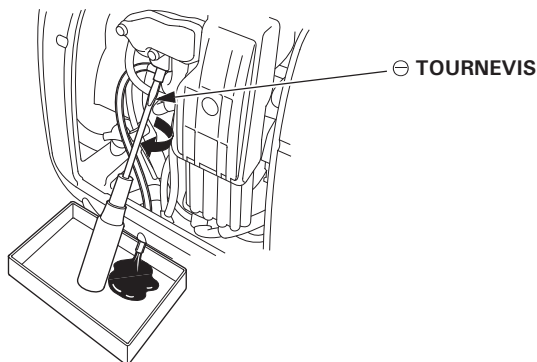
▲ ATTENTION

L'essence est hautement inflammable et peut exploser dans certaines conditions. Effectuer la tâche dans une zone bien aérée avec le moteur arrêté. Ne pas fumer ni autoriser de flammes ou d'étincelles dans la zone pendant cette procédure.

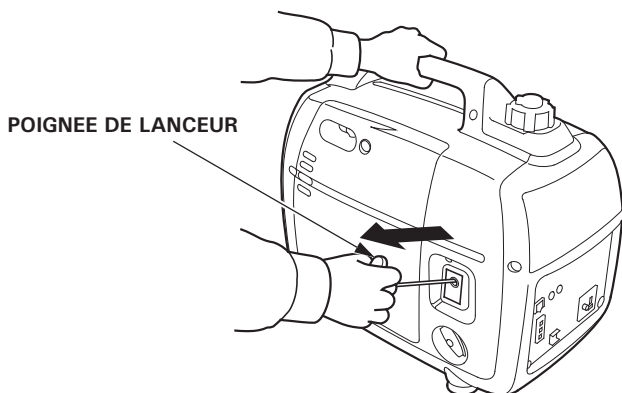
- a. Dévisser le bouchon de remplissage de carburant et retirer le filtre à carburant.
- b. Vidanger toute l'essence du réservoir de carburant dans un récipient à essence approprié. Nous recommandons d'utiliser une pompe à essence à main en vente dans le commerce. Ne pas utiliser une pompe électrique.



- c. Placer le commutateur du moteur sur la position ON et desserrer la vis de vidange de carburateur, puis vidanger l'essence du carburateur dans un récipient approprié.
- d. La vis de vidange étant desserrée, déposer l'antiparasite de bougie d'allumage, et tirer la poignée de lanceur à 3 ou 4 reprises pour vidanger l'essence de la pompe à essence.
- e. Tourner le commutateur de moteur vers la position OFF (arrêt), et resserrer à fond la vis de vidange.
- f. Reposer fermement l'antiparasite de bougie sur la bougie d'allumage.

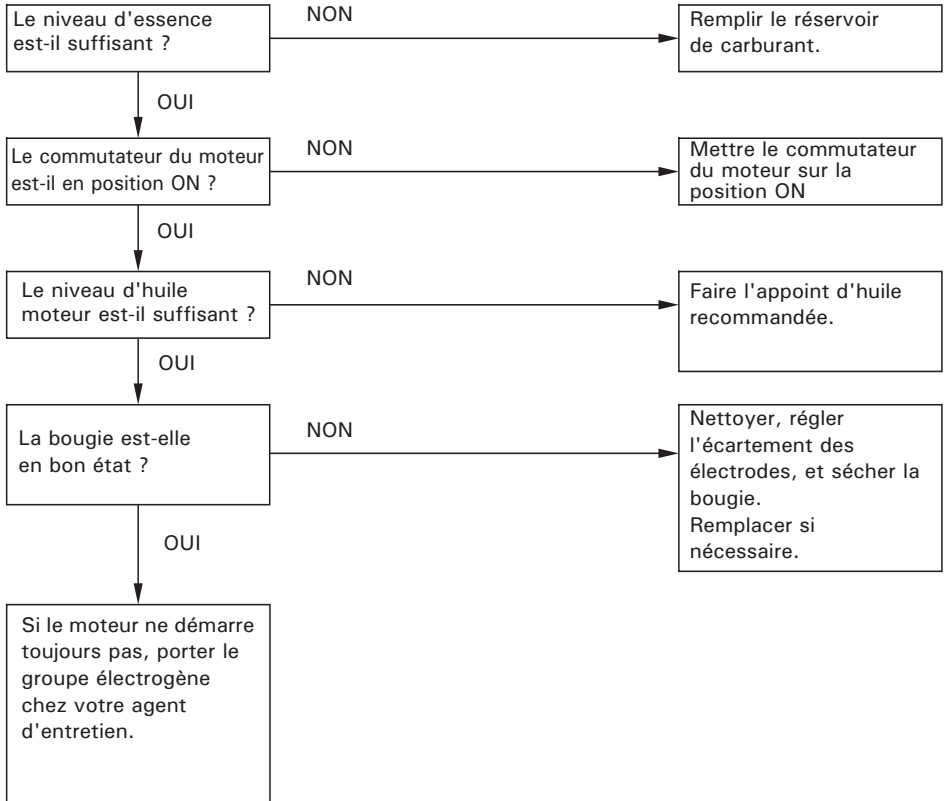


-
3. Renouveler l'huile moteur.
 4. Déposer la bougie d'allumage et verser une cuillerée d'huile moteur propre dans le cylindre. Lancer le moteur de plusieurs tours pour distribuer l'huile, puis reposer la bougie.
 5. Tirer lentement sur la poignée de lanceur jusqu'à ce qu'une résistance soit ressentie. A ce moment-là, le piston se trouve sur sa course de compression et les soupapes d'admission et d'échappement sont toutes deux fermées. Le fait de remiser le moteur dans cet état contribue à le protéger contre la corrosion interne.

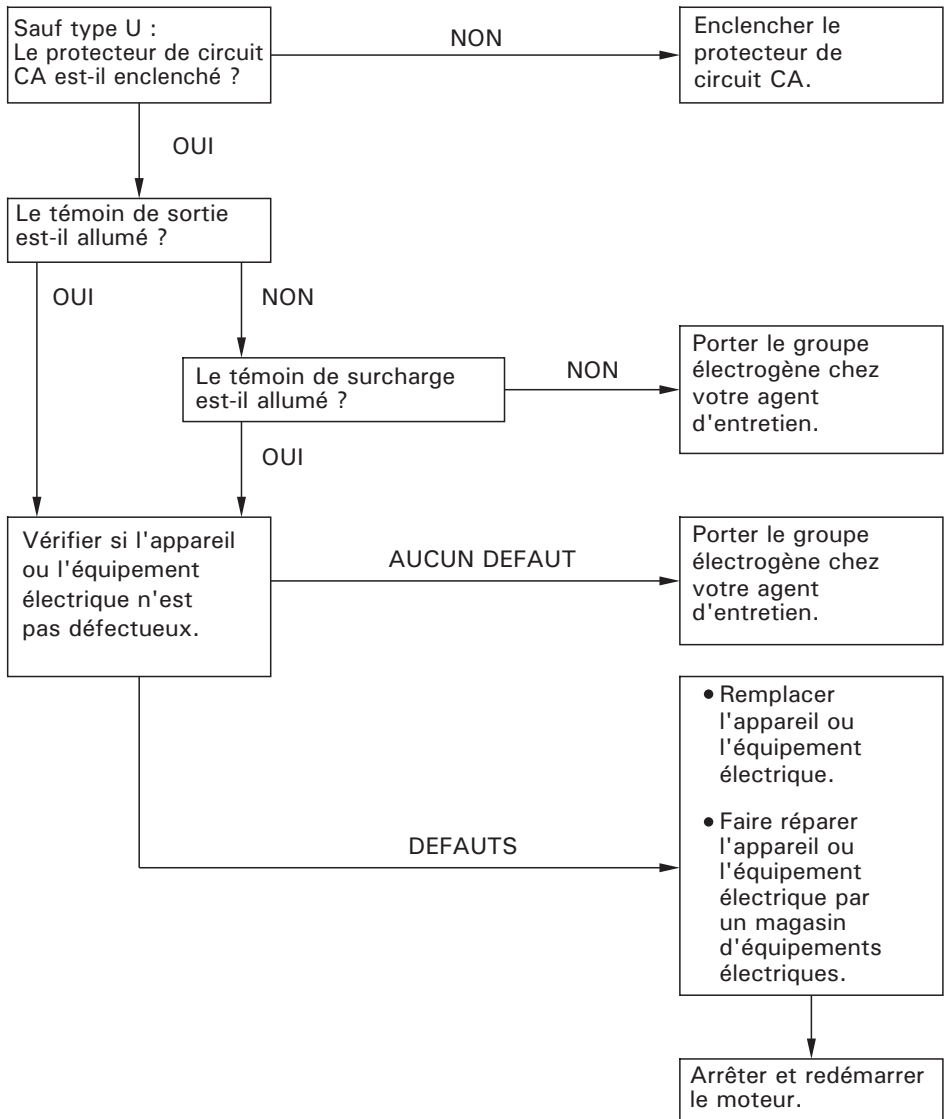


10. DEPANNAGE

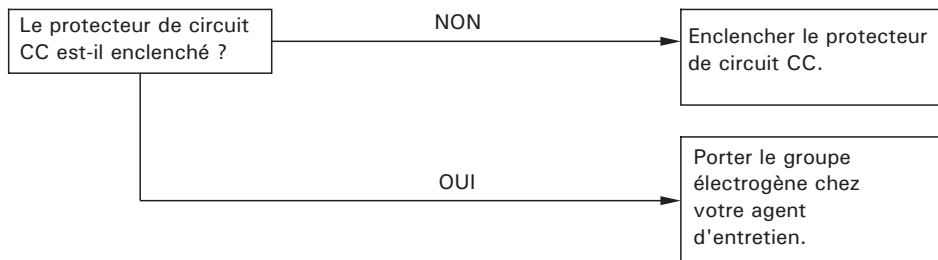
Si le moteur ne démarre pas :



L'appareil ne fonctionne pas :



Absence de courant à la prise CC :



11. CARACTERISTIQUES

Dimension et poids

Modèle	EU20i	
Type	G, GP3, GW, B, F, W, CL, U	GW1
Code de description	EAAJ	
Longueur	512 mm	521 mm
Largeur	290 mm	
Hauteur	425 mm	
Poids à sec	20,7 kg	

Moteur

Modèle	GX100
Type de moteur	Monocylindre à 4 temps à arbre à cames en tête
Cylindrée	98,5 cm ³
Alésage × course	56,0 × 40,0 mm
Taux de compression	8,5:1
Régime moteur	3 000–5 000 tr/min 4 300–5 000 tr/min (Interrupteur Eco throttle en position OFF)
Refroidissement	Forcé par circulation d'air
Allumage	Complètement transistoré
Contenance en huile	0,4 litre
Contenance du réservoir de carburant	3,6 litres
Bougie	CR5HSB (NGK)

Génératrice

Modèle	EU20i		
Type	G, GP3, GW, GW1, B, F, W, CL	U	
Puissance CA	Tension nominale (V)	230	240
	Fréquence nominale (Hz)	50	
	Courant nominal (A)	7,0	6,7
	Puissance nominale (kVA)	1,6	
	Puissance maxi. (kVA)	2,0	
Sortie CC nominale	Uniquement pour batteries automobiles 12 V. 12 V, 8 A		

Bruit

Modèle	EU20i	
Type	G, GP3, GW, GW1, B, F, W, CL	U
Niveau de pression acoustique au poste de travail (2006/42/CE)	71 dB (A)	–
<p>Point de microphone</p> <p>PANNEAU DE COMMANDE</p> <p>Centre</p> <p>1,60 m</p> <p>1,0 m</p>		
Incertitude	2 dB (A)	–
Niveau de puissance acoustique mesuré (2000/14/CE, 2005/88/CE)	87 dB (A)	–
Incertitude	2 dB (A)	–
Niveau de puissance acoustique garanti (2000/14/CE, 2005/88/CE)	89 dB (A)	–

"Les chiffres cités sont des niveaux d'émission et ne correspondent pas nécessairement à des niveaux sûrs pour le travail. Bien qu'une corrélation existe entre les niveaux d'émission et d'exposition, ceci ne peut pas être utilisé de manière fiable pour déterminer s'il convient ou non de prendre des précautions supplémentaires. Parmi les facteurs ayant une incidence sur le niveau réel d'exposition de la main-d'oeuvre, on compte les caractéristiques de la salle de travail, les autres sources de bruit, etc. et notamment le nombre de machines et autres opérations voisines et la durée d'exposition au bruit de l'opérateur. Il faut également noter que le niveau d'exposition autorisé diffère selon les pays. Ces informations permettront, toutefois, à l'utilisateur de la machine de mieux évaluer les dangers et risques."

REMARQUE :

Les caractéristiques sont susceptibles d'être modifiées sans préavis.

12. SCHEMA DE CABLAGE

INDEX

(Voir à l'intérieur du capot arrière)

Types G, GP3, GW, GW1, B, F, W, CL.....W-1

Type U.....W-2

ABREVIATIONS

Symbole	Désignation
AC, CP	Protecteur de circuit CA
ACOR	Prise de sortie CA
(B)	Type B
Cot	Prise pour fonctionnement en parallèle
CPB	Bloc panneau de commande
DC, CP	Protecteur de circuit CC
DC, D	Diode CC
DC, NF	Filtre antiparasite CC
DCOR	Prise de sortie CC
DC, W	Enroulement CC
EcoSw	Interrupteur Eco Throttle
EgB	Bloc moteur
EgG	Masse de moteur
ESw	Commutateur du moteur
ExW	Enroulement d'excitation
FrB	Bloc châssis
FrG	Masse de châssis
(F)	Type F
(G)	Types G, GW, GW1, GP3, CL
GeB	Bloc génératrice
GT	Borne de masse
IgC	Bobine d'allumage
IU	Unité onduleur
MW	Enroulement principal
OAL	Témoin d'alerte d'huile
OI	Témoin de surcharge
OLSw	Contacteur de niveau d'huile
PC	Bobine de pulsation
PL	Témoin de sortie
RBx	Boîtier de prise pour Fonctionnement en parallèle
SP	Bougie
SpU	Unité bougie






Symbole	Désignation
StpM	Moteur pas à pas (Commande des gaz)
SW	Enroulement secondaire
To Ge	Vers génératrice
(W)	Type W

CODE COULEUR DE FIL

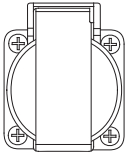

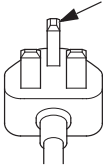
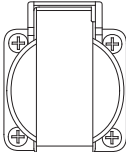

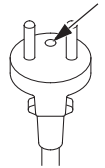
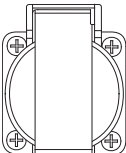

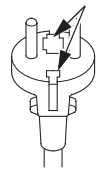
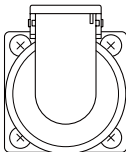
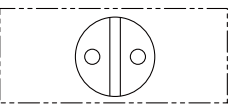
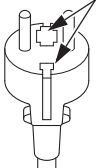
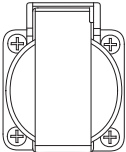

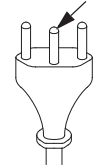
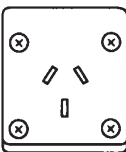

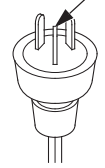
BI	NOIR
Y	JAUNE
Bu	BLEU
G	VERT
R	ROUGE
W	BLANC
Br	MARRON
Lg	VERT CLAIR
Gr	GRIS
Sb	BLEU CIEL
O	ORANGE
P	ROSE

CONNEXIONS DE COMMUTATEUR

INTERRUPTEUR ECO

		COM (-)	SW
ON			
			
			
OFF			

PRISE

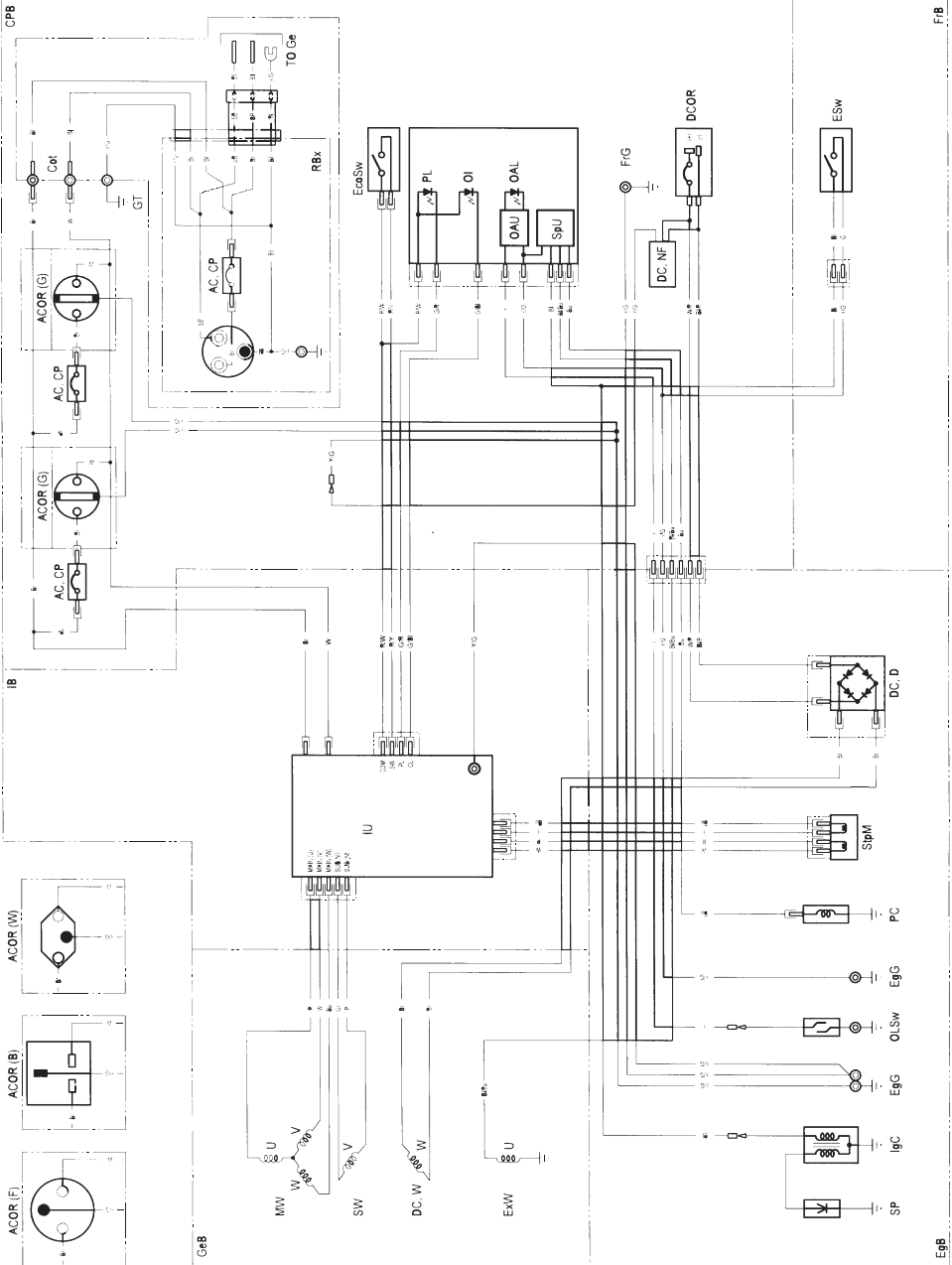
Type	Forme		Prise
B			 BROCHE DE MASSE
F			 BROCHE DE MASSE
G, GP3, GW, CL			 BROCHE DE MASSE
GW1			 BROCHE DE MASSE
W			 BROCHE DE MASSE
U			 BROCHE DE MASSE

WIRING DIAGRAM

SCHÉMA DE CABLAGE

SCHALTPLAN

DIAGRAMA DE CONEXIONES



MAJOR Honda DISTRIBUTOR ADDRESSES

For further information, please contact Honda Customer Information Centre at the following address or telephone number:

ADRESSES DES PRINCIPAUX DISTRIBUTEURS Honda

Pour plus d'informations, s'adresser au Centre d'informations clients Honda à l'adresse ou numéro de téléphone suivants:

ADRESSEN DER HAUPT-Honda-VERTEILER

Weitere Informationen erhalten Sie gerne vom Honda-Kundeninformationszentrum unter der folgenden Adresse oder Telefonnummer:

DIRECCIONES DE LOS PRINCIPALES CONCESIONARIOS Honda

Para obtener más información, póngase en contacto con el Centro de información para clientes Honda en la dirección o número de teléfono siguientes:

AUSTRIA

Honda Austria GmbH

Hondastraße 1

2351 Wiener Neudorf

Tel. : +43 (0)2236 690 0

Fax : +43 (0)2236 690 480

<http://www.honda.at>

✉ HondaPP@honda.co.at

BALTIC STATES (Estonia/Latvia/ Lithuania)

Honda Motor Europe Ltd.

Estonian Branch

Tulika 15/17

10613 Tallinn

Tel. : +372 6801 300

Fax : +372 6801 301

✉ honda.baltic@honda-eu.com.

BELGIUM

Honda Belgium

Doornveld 180-184

1731 Zellik

Tel. : +32 2620 10 00

Fax : +32 2620 10 01

<http://www.honda.be>

✉ BH_PE@HONDA-EU.COM

BULGARIA

Kirov Ltd.

49 Tsaritsa Yoana blvd

1324 Sofia

Tel. : +359 2 93 30 892

Fax : +359 2 93 30 814

<http://www.kirov.net>

✉ honda@kirov.net

CROATIA

Hongoldonia d.o.o.

Vrbaska 1c

31000 Osijek

Tel. : +38531320420

Fax : +38531320429

<http://www.hongoldonia.hr>

✉ prodaja@hongoldonia.hr

CYPRUS

**Alexander Dimitriou & Sons
Ltd.**

162, Yiannos Kranidiotis

Avenue

2235 Latsia, Nicosia

Tel. : +357 22 715 300

Fax : +357 22 715 400

CZECH REPUBLIC

BG Technik cs, a.s.

U Zavodiste 251/8

15900 Prague 5 - Velka

Chuchle

Tel. : +420 2 838 70 850

Fax : +420 2 667 111 45

<http://www.honda-stroje.cz>

DENMARK

Tima Products A/S

Tårnfalkevej 16

2650 Hvidovre

Tel. : +45 36 34 25 50

Fax : +45 36 77 16 30

<http://www.tima.dk>

FINLAND

OY Brandt AB.

Tuupakantie 7B

01740 Vantaa

Tel. : +358 207757200

Fax : +358 9 878 5276

<http://www.brandt.fi>

FRANCE

Honda Relations Clients

TSA 80627

45146 St Jean de la Ruelle Cedex

Tel. : 02 38 81 33 90

Fax : 02 38 81 33 91

<http://www.honda-fr.com>

✉ espaceclient@honda-eu.com

GERMANY

**Honda Deutschland
GmbH**

Sprendlinger Landstraße 166

63069 Offenbach am Main

Tel. : 01 80 5/20 20 90

Fax : +49 69 8320 20

<http://www.honda.de>

✉ info@post.honda.de

GREECE

Saracakis Brothers S.A.

71 Leoforos Athinon

10173 Athens

Tel. : +30 210 3497809

Fax : +30 210 3467329

<http://www.honda.gr>

✉ info@saracakis.gr

HUNGARY

Motor Pedo Co., Ltd.

Kamaraerdei ut 3.

2040 Budaors

Tel. : +36 23 444 971

Fax : +36 23 444 972

<http://www.hondakisgepek.hu>

✉ info@hondakisgepek.hu

ICELAND

Bernhard ehf.

Vatnagarðar 24-26

104 Reykjavík

Tel. : +354 520 1100

Fax : +354 520 1101

<http://www.honda.is>

IRELAND

Two Wheels Ltd

M50 Business Park, Ballymount

Dublin 12

Tel. : +353 1 4381900

Fax : +353 1 4607851

<http://www.hondaireland.ie>

✉ Service@hondaireland.ie

ITALY

Honda Italia Industriale S.p.A.

Via della Cecchignola, 13

00143 Roma

Tel. : +848 846 632

Fax : +39 065 4928 400

<http://www.hondaitalia.com>

✉ info.power@honda-eu.com

MALTA

The Associated Motors

Company Ltd.

New Street in San Gwakklin Road

Mriehel Bypass, Mriehel QRM17

Tel. : +356 21 498 561

Fax : +356 21 480 150

NETHERLANDS

Honda Nederland B.V.

Afd. Power Equipment

Capronilaan 1

1119 NN Schiphol-Rijk

Tel. : +31 20 7070000

Fax : +31 20 7070001

<http://www.honda.nl>

NORWAY

Berema AS

P.O. Box 454

1401 Ski

Tel. : +47 64 86 05 00

Fax : +47 64 86 05 49

<http://www.berema.no>

✉ berema@berema.no

POLAND

Aries Power Equipment Sp. z o.o.

ul. Wroclawska 25

01-493 Warszawa

Tel. : +48 (22) 861 43 01

Fax : +48 (22) 861 43 02

<http://www.ariespower.pl>

<http://www.mojahonda.pl>

✉ info@ariespower.pl

PORTUGAL

Honda Portugal, S.A.

Rua Fontes Pereira de Melo 16

Abrunheira, 2714-506 Sintra

Tel. : +351 21 915 53 33

Fax : +351 21 915 23 54

<http://www.honda.pt>

✉ honda.produtos@honda-eu.com

REPUBLIC OF BELARUS

Scanlink Ltd.

Kozlova Drive, 9

220037 Minsk

Tel. : +375 172 999090

Fax : +375 172 999900

<http://www.hondapower.by>

ROMANIA

Hit Power Motor Srl

str. Vasile Stroescu nr. 12,

Camera 6, Sector 2

021374 Bucuresti

Tel. : +40 21 637 04 58

Fax : +40 21 637 04 78

<http://www.honda.ro>

✉ hit_power@honda.ro

RUSSIA

Honda Motor RUS LLC

1, Pridirizhnaya Street, Sharapovo settlement, Naro-Fominsky district,

Moscow Region, 143350 Russia

Tel. : +7 (495) 745 20-80

Fax : +7 (495) 745 20 81

<http://www.honda.co.ru>

✉ postoffice@honda.co.ru

SERBIA & MONTENEGRO

BPP Group d.o.o.

Generala Horvatovica 68

11000 Belgrade

Tel. : +381 11 3820 295

Fax : +381 11 3820 296

<http://www.hondasrbija.co.rs>

✉ honda@bazis.co.rs

SLOVAK REPUBLIC

Honda Slovakia, spol. s r.o.

Prievozká 6

821 09 Bratislava

Tel. : +421 2 32131112

Fax : +421 2 32131111

<http://www.honda.sk>

SLOVENIA

AS Domzale Moto Center D.O.O.

Blatnica 3A

1236 Trzin

Tel. : +386 1 562 22 62

Fax : +386 1 562 37 05

www.honda-as.com

✉ infomacije@honda-as.com

SPAIN & Las Palmas province (Canary Islands)

Greens Power Products, S.L.

Poligono Industrial Congost -

Av Ramon Ciurans n°2

08530 La Garriga - Barcelona

Tel. : +34 93 860 50 25

Fax : +34 93 871 81 80

<http://www.hondaencasa.com>

Tenerife province

(Canary Islands)

Automocion Canarias S.A.

Carretera General del Sur, KM. 8,8

38107 Santa Cruz de Tenerife

Tel. : +34 (922) 620 617

Fax : +34 (922) 618 042

<http://www.aucasa.com>

✉ ventas@aucasa.com

✉ taller@aucasa.com

SWEDEN

Honda Nordic AB

Box 31002 - Långhusgatan 4

215 86 Malmö

Tel. : +46 (0)40 600 23 00

Fax : +46 (0)40 600 23 19

<http://www.honda.se>

✉ hpesinfo@honda-eu.com

SWITZERLAND

Honda Suisse S.A.

10, Route des Moulières

1214 Vernier - Genève

Tel. : +41 (0)22 939 09 09

Fax : +41 (0)22 939 09 97

<http://www.honda.ch>

TURKEY

Anadolu Motor Uretim ve

Pazarlama AS

Esentepe mah. Anadolu

cad. No: 5

Kartal 34870 Istanbul

Tel. : +90 216 389 59 60

Fax : +90 216 353 31 98

<http://www.anadolumotor.com.tr>

✉ antor@antor.com.tr

UKRAINE

Honda Ukraine LLC

101 Volodymyrska Str. - Build. 2

Kyiv 01033

Tel. : +380 44 390 14 14

Fax : +380 44 390 14 10

<http://www.honda.ua>

✉ CR@honda.ua

UNITED KINGDOM

Honda (UK) Power Equipment

470 London Road

Slough - Berkshire, SL3 8QY

Tel. : +44 (0)845 200 8000

<http://www.honda.co.uk>

AUSTRALIA

Honda Australia Motorcycle and
Power Equipment Pty. Ltd

1954-1956 Hume Highway

Campbellfield Victoria 3061

Tel. : (03) 9270 1111

Fax : (03) 9270 1133

"EC Declaration of Conformity" CONTENT OUTLINE
"CE-Déclaration de conformité" DESCRIPTION DE TABLE DES MATIERES
"EU-Konformitätserklärung" INHALTSÜBERSICHT
DESCRIPCIÓN GENERAL DEL CONTENIDO DE LA "Declaración de Conformidad CE"
DESCRIZIONE DEL CONTENUTO DELLA "Dichiarazione CE di Conformità"

EC Declaration of Conformity

1. The undersigned, Piet Renneboog, on behalf of the authorized representative, herewith declares that the machinery described below fulfils all the relevant provisions of:

- Directive 2006/42/EC on machinery
- Directive 2004/108/EC on electromagnetic compatibility
- Directive 2000/14/EC – 2005/88/EC on outdoor noise

2. Description of the machinery

- a) Generic denomination: Generating sets
b) Function: producing electrical power

c) Commercial name	d) Type	e) Serial number
*1	*1	

3. Manufacturer

Honda Motor Co., Ltd.
2-1-1 Minamiaoyama
Minato-ku, Tokyo, JAPAN

4. Authorized representative

Honda Motor Europe Ltd. Aalst Office
Wijngaardveld 1 (Noord V),
9300 Aalst – BELGIUM

5. References to harmonized standards	6. Other standards or specifications
EN 12601:2010	-

7. Outdoor noise Directive

- a) Measured sound power dB(A): *1
b) Guaranteed sound power dB(A): *1
c) Noise parameter: *1
d) Conformity assessment procedure: ANNEX VI
e) Notified body: AIB-VINCOTTE International nv
Jan Olieslagerslaan 35
B-1800 Vilvoorde BELGIUM
Aalst , BELGIUM

8. Done at:

9. Date:

Piet Renneboog
Homologation Manager
Honda Motor Europe, Ltd., Aalst Office

*1: see specification page.

*1: voir page de spécifications

*1: Siehe Spezifikationen-Seite

*1: consulte la página de las
especificaciones

*1: vedi la pagina delle caratteristiche
tecniche

<p>Français (French) Déclaration CE de Conformité 1. Le sous signé, Piet Renneboog, de la part du représentant autorisé, déclare que la machine décrit ci-dessous répond à toutes les dispositions applicables de * Directive Machine 2006/42/CE * Directive 2004/108/CE sur la compatibilité électromagnétique * Directive 2000/14/CE - 2005/88/CE des émissions sonores dans l'environnement des matériels destinés à être utilisé à l'extérieur des bâtiments 2. Description de la machine a) Denomination générique : Générateur b) Fonction : produire du courant électrique c) Nom Commercial d) Type e) Numéro de série 3. Constructeur 4. Représentant autorisé 5. Référence aux normes harmonisées 6. Autres normes et spécifications 7. Directives des émissions sonores dans l'environnement des matériels destinés à être utilisé à l'extérieur des bâtiments a) Puissance acoustique mesurée b) Puissance acoustique garantie c) Paramètre du bruit d) Procédure d'évaluation de conformité e) Organisme notifié 8. Fait à 9. Date</p>	<p>Italiano (Italian) Dichiarazione CE di Conformità 1. Il sottoscritto, Piet Renneboog, in qualità di rappresentante autorizzato, dichiara qui di seguito che la macchina sotto descritta soddisfa tutte le disposizioni pertinenti delle: * Direttiva macchine 2006/42/CE * Direttiva sulla compatibilità elettromagnetica 2004/108/CE * Direttiva sulla emissione acustica delle macchine e attrezzature destinate a funzionare all'aperto 2000/14/CE - 2005/88/CE 2. Descrizione della macchina a) Denominazione generica : Generatore b) Funzione : Produzione di energia elettrica c) Denominazione commerciale d) Tipo e) Numero di serie 3. Costruttore 4. Rappresentante Autorizzato 5. Riferimento agli standard armonizzati 6. Altri standard o specifiche 7. Direttiva sulla emissione acustica delle macchine e attrezzature destinate a funzionare all'aperto a) Livello di potenza sonora misurato b) Livello di potenza sonora garantito c) Parametri emissione acustica d) Procedura di valutazione della conformità e) Organismo notificato 8. Fatto a 9. Data</p>	<p>Deutsch (German) EG-Konformitätserklärung 1. Der Unterzeichner, Piet Renneboog erklärt hiermit im Namen der Bevollmächtigten, dass das hierunter genannte Maschine allen einschlägigen Bestimmungen der * entspricht. * Maschinenrichtlinie 2006/42/EG * Richtlinie der Elektromagnetischen Kompatibilität 2004/108/EG * Geräuschrichtlinie im Freien 2000/14EG - 2005/88/EG 2. Beschreibung der Maschine a) Allgemeine Bezeichnung : Stromerzeuger b) Funktion : Strom produzieren c) Handelsbezeichnung d) Typ e) Seriennummer 3. Hersteller 4. Bevollmächtigter 5. Verweis auf harmonisierte Normen 6. Andere Normen oder Spezifikationen 7. Geräuschrichtlinie im Freien a) gemessene Lautstärke b) Schalleistungspegel c) Geräuschvorgabe d) Konformitätsbewertungs Ablauf e) Benannte Stelle 8. Ort 9. Datum</p>
<p>Nederlands (Dutch) EG-verklaring van overeenstemming 1. Ondergetekende, Piet Renneboog, in naam van de gemachtigde van de fabrikant, verklaart hiermee dat het hieronder beschreven machine voldoet aan alle toepasselijke bepalingen van : * Richtlijn 2006/42/EG betreffende machines * Richtlijn 2004/108/EG betreffende elektromagnetische overeenstemming * Richtlijn 2000/14/EG - 2005/88/EG betreffende geluidsemissie (openlucht) 2. Beschrijving van de machine a) Algemene benaming : Generator b) Functie : elektriciteit produceren c) Handelsbenaming d) Type e) Serienummer 3. Fabrikant 4. Gemachtigde van de fabrikant 5. Refereert naar geharmoniseerde normen 6. Andere normen of specificaties 7. Geluidsemissierichtlijn (openlucht) a) Gemeten geluidsvormogenniveau b) Gewaarborgd geluidsvormogenniveau c) Geluidspanometer d) Conformiteitsbeoordelingsprocedure e) Aangemelde instantie 8. Plaats 9. Datum</p>	<p>Dansk (Danish) EF OVERENSTEMMELSEERKLÆRING 1. UNDERTEGNEDE, PIET RENNEBOOG, PÅ VEGNE AF DEN AUTORISEREDE REPRÆSENTANT, ERKLÆRER HERMED AT MASKINEN, SOM ER BESKREVET NEDENFOR, OPFYLDER ALLE RELEVANTE BESTEMMELSER IFØLGE: * MASKINDIREKTIV 2006/42/EF * EMC-DIREKTIV 2004/108/EF * DIREKTIV OM STØJEMMISSION 2000/14/EF - 2005/88/EF 2. BESKRIVELSE AF PRODUKTET a) FÆLLESBETEGNELSE : Generator b) ANVENDELSE : Produktion af elektricitet c) HANDELSBETEGNELSE d) TYPE e) SERIENUMMER 3. PRODUCENT 4. AUTORISERET REPRÆSENTANT 5. REFERENCE TIL HARMONISEREDE STANDARDER 6. ANDRE STANDARDER ELLER SPECIFIKATIONER 7. DIREKTIV OM STØJEMMISSION FRA MASKINER TIL UDENDØRS BRUG a) MÅLT LYEFFEKTNIVEAU b) GARANTERET LYEFFEKTNIVEAU c) STØJPARAMETER d) PROCEDURE FOR OVERENSTEMMELSESVURDERING e) BEMYNDIGET ORGAN 8. STED 9. DATO</p>	<p>Ελληνικά (Greek) ΕΚ-Δήλωση συμμόρφωσης 1. Ο κάτωθι υπογεγραμμένος „Piet Renneboog, εκ μέρους του εξουσιοδοτημένου αντιπροσώπου με το παρόν δηλώνω ότι το παρακάτω περιγραφόμενο όχημα πληροί όλες τις σχετικές προδιαγραφές του: * Οδηγία 2006/42/ΕΚ για μηχανές * Οδηγία 2004/108/ΕΚ για την ηλεκτρομαγνητική συμβατότητα * Οδηγία 2000/14/ΕΚ - 2005/88/ΕΚ για το επίπεδο θορύβου σε εξωτερικούς χώρους. 2. Περιγραφή μηχανήματος a) Γενική ονομασία : Ηλεκτοπαραγωγό ζεύγος b) Λειτουργία : για παραγωγή ηλεκτρικής ενέργειας c) Εμπορική ονομασία d) Τύπος e) Αριθμός σειράς παραγωγής 3. Κατασκευαστής 4. Εξουσιοδοτημένος αντιπρόσωπος 5. Αναφορά σε εναρμονισμένα πρότυπα 6. Λοιπά πρότυπα ή προδιαγραφές 7. Οδηγία επιπέδου θορύβου εξωτερικών χώρων a) Μετρηθείσα ηχητική ένταση b) Εγγυημένη ηχητική ένταση c) Ηχητική παράμετρος d) Διαδικασία πιστοποίησης e) Οργανισμός πιστοποίησης 8. Η δοκιμή έγινε 9. Ημερομηνία</p>
<p>Svenska (Swedish) EG-försäkran om överensstämmelse 1. Undertecknad, Piet Renneboog, på uppdrag av auktoriserad representant, deklarerar härmed att maskinen beskriven nedan fullföljer alla relevanta bestämmelser enligt: * Direktiv 2006/42/EG gällande maskiner * Direktiv 2004/108/EG gällande elektromagnetisk kompatibilitet * Direktiv 2000/14/EG - 2005/88/EG gällande buller utomhus 2. Maskinbeskrivning a) Allmän benämning : Elverk b) Funktion : producera el c) Och varunamn d) Typ e) Serienummer 3. Tillverkare 4. Auktoriserad representant 5. referens till överensstämmande standarder 6. Andra standarder eller specifikationer 7. Direktiv för buller utomhus a) Uppmått ljudnivå b) Garanterad ljudnivå c) Buller parameter d) Förfarande för bedömning e) Anmälda organ 8. Utfärdad vid 9. Datum</p>	<p>Español (Spanish) Declaración de Conformidad CE 1. El abajo firmante, Piet Renneboog, en representación del representante autorizado, adjunto declara que la máquina abajo descrita, cumple las cláusulas relevantes de: * Directiva 2006/42/CE de maquinaria * Directiva 2004/108/CE de compatibilidad electromagnética * Directiva 2000/14/CE - 2005/88/CE de ruido exterior 2. Descripción de la máquina a) Denominación genérica : Generador b) Función : Producción de electricidad c) Denominación comercial d) Tipo e) Número de serie 3. Fabricante 4. Representante autorizado 5. Referencia de los estándar armonizados 6. Otros estándar o especificaciones 7. Directiva sobre ruido exterior a) Potencia sonora Medida b) Potencia sonora Garantizada c) Parámetros ruido d) Procedimiento evaluación conformidad e) Organismo notificado 8. Realizado en 9. Fecha</p>	<p>Română (Romanian) CE -Declaratie de Conformitate 1. Subsemnatul Piet Renneboog, in numele reprezentantului autorizat, declar prin prezenta faptul ca echipamentul descris mai jos indeplineste toate conditiile necesare din: * Directiva 2006/42/CE privind echipamentul * Directiva 2004/108/CE privind compatibilitatea electromagnetica * Directiva 2000/14/CE - 2005/88/CE privind poluarea fonica in spatiu deschis 2. Descrierea echipamentului a) Denumire generica : Motogenerator electric b) Domeniul de utilizare : generarea energiei electrice c) Denumire comerciala d) Tip e) Serie produs 3. Producator 4. Reprezentantul Autorizat 5. Referinta la standardele armonizate 6. Alte standarde sau norme 7. Directiva privind poluarea fonica in spatiu inchis a) Puterea acustica masurata b) Putere acustica maxim garantata c) Indice poluare fonica d) Procedura de evaluare a conformitatii e) Notificari 8. Emisa la 9. Data</p>

<p>Lietuvių kalba (Lithuanian) EB atitikties deklaracija</p> <p>1. Įgaliotojo atstovo vardu pasirašęs Piet Renneboog patvirtina, kad žemiau aprašyta mašina atitinka visas įsvardintų direktyvų nuostatas:</p> <ul style="list-style-type: none"> * Mechanizmų direktyva 2006/42/EB * Elektromagnetinio suderinamumo direktyva 2004/108/EB * Triukšmo lauke direktyva 2000/14/EB - 2005/88/EB <p>2. Prietaiso aprašymas</p> <p>a) Bendras pavadinimas : Generatorius b) Funkcija : elektros energijos gaminimas c) Komercinis pavadinimas d) Tipas e) Serijos numeris 3. Gamintojas 4. Įgaliotasis atstovas 5. Nuorodos į suderintus standartus 6. Kiti standartai ir specifikacija 7. Triukšmo lauke direktyva a) Išmatuotas garso galingumo lygis b) Garantuojamas garso galingumo lygis c) Triukšmo parametras d) Tipas e) Registruota įstaiga 8. Vieta 9. Data</p>	<p>Български (Bulgarian) ЕО декларация за съответствие</p> <p>1. Долоуподписаният Пайът Ренебург, от името на упълномощения представител, с настоящото декларирам, че машините, описани по-долу, отговарят на всички съответни разпоредби на:</p> <ul style="list-style-type: none"> * Директива2006/42/ЕО относно машините * Директива 2004/108/ЕО относно електромагнитната съвместимост Директива 2000/14/ЕО - 2005/88/ЕО относно шумовите емисии на съоръжения, предназначени за употреба извън сградите <p>2. Описание на машините</p> <p>a) Общо наименование : Генераторен комплект b) Фунция : производство на електроенергия c) Търговско наименование d) Тип e) Серийн номер d) Производител 4. Упълномощен представител 5. Съответствие с хармонизирани стандарти 6. Други стандарти или спецификации 7. Директива относно шумовите емисии на съоръжения, предназначени за употреба извън сградите a) Измерена звукова мощност b) Гарантирана звукова мощност c) Параметърът шум d) Процедура за оценка на съответствието e) Нотифициран орган 8. Място на изготвяне 9. Дата на изготвяне</p>	<p>Norsk (Norwegian) EF- Samsvarserklæring</p> <p>1.Undertegnede Piet Renneboog på vegne av autorisert representant herved erklærer at maskinene beskrevet nedenfor innfrir relevant informasjon fra følgende forskrifter.</p> <ul style="list-style-type: none"> * Maskindirektiv 2006/42/EF * Direktiv EMC: 2004/108/EF Elektromagnetisk kompatibilitet * Direktiv om støy utendørs 2000/14/EF - 2005/88/EF <p>2. Beskrivelse av produkt a) Felles benevnelse : Generator b) Funksjon : Produsere strøm c) Handelsnavn d) Type e) Serienummer 3. Produsent 4. Autorisert representant 5. Referanse til harmoniserte standarder 6. Øvrige standarder eller spesifikasjoner 7. Utendørs direktiv får støy a) Målt støy b) Maks støy c) Konstant støy d) Verdi vurderings prosedyre e) Gjeldene kjøretøy/kropp/stamme/skrog 8. Sted 9. Dato</p>
<p>Türk (Turkish) AT Uygunluk Beyanı</p> <p>1. Aşağıda imzası bulunan Piet Renneboog, yetkili temsilci adına, bu yazıyla birlikte aşağıdaki makine ile ilgili tüm hükümlülüklerin yerine getirildiğini beyan etmektedir. * Makina Emniyet Yönetmeliği 2006/42/AT</p> <ul style="list-style-type: none"> * Elektromanyetik Uyumluluk Yönetmeliği 2004/108/AT * Açık Alanda Kullanılan Teçizat Tarafından Oluşturulan Çevredeki Gürültü Emisyonu İle İlgili Yönetmelik 2000/14/AT-2005/88/AT <p>2. Makinanın tanıtı</p> <p>a) Kapsamlı adlandırma: Jeneratör grubu b) İşlevi : Elektrik gücü üretimi c) Ticari adı d) Tipi e) Seri numarası 3. İmalatçı 4. Yetkili temsilci 5. Uymlaştırılmış standartlara atıf 6. Diğer standartlar veya spesifikasyonlar 7. Açık alan gürültü Yönetmeliği a) Ölçülen ses gücü b) Garanti edilen ses gücü c) Gürültü parametresi d) Uygunluk değerlendirme prosedürü e) Onaylanmış kuruluş 8. Beyanın yeri : 9. Beyanın tarihi :</p>	<p>Íslenska (Icelandic) EB-Samræmisýfirlýsing</p> <p>1. Undirritaður Piet Renneboog staðfestir hér með fyrir hönd löggilfra aðila að upplýsingar um vélbúnað hér að neðan eru tæmandi hvað varðar alla tilheyrandi mátaflokk, svo sem</p> <ul style="list-style-type: none"> *Leiðbeiningar fyrir vélbúnað 2006/42/EB *Leiðbeiningar fyrir rafsegulvið 2004/108/EB *Leiðbeiningar um hávaðamengun 2000/14/EB-2005/88/EB <p>2. Lýsing á vélbúnaði</p> <p>a) Flokkur : Rafstöðvar b) Virkni : Framleiðsla á rafmagni c) Nafn d) Tegund e) Séríal númer 3. Framleiðandi 4. Löggildir aðilar 5. Tilvísun um heildar staðal 6. Aðrir staðlar eða sérstöður 7. Leiðbeiningar um hávaðamengun a) Mældur hávaða styrkur b) Staðfestur hávaða styrkur c) Hávaða breytileiki d) Staðfesting á gæðastöðlum e) Merkingar 8. Gert hjá 9. Dagsetning</p>	<p>Hrvatski(Croatian) EK Izjava o sukladnosti</p> <p>1. Potpisani, Piet Renneboog, u ime ovlaštenog predstavnika, ovime izjavljuju da strojevi navedeni u nastavku ispunjavaju sve važne odredbe:</p> <ul style="list-style-type: none"> * Propisa za strojeve 2006/42/EK * Propisa o elektromagnetskoj kompatibilnosti 2004/108/EK * Propisa o buci na otvorenome 2000/14/EK-2005/88/EK <p>2. Opis strojeva a) Opća vrijednost : Agregat b) Funkcionalnost : proizvod električnu energiju c) Komercijalni naziv d) Tip e) Serijski broj 3. Proizvođač 4. Ovlašteni predstavnik 5. Reference na usklađene norme 6. Ostale norme i specifikacije 7. Propis o buci na otvorenome a) Izmjerena jačina zvuka b) Zajamčena jačina zvuka c) Parametar buke d) Postupak za ocjenu sukladnosti e) Obavješteno tijelo 8. U 9. Datum</p>

Honda EU20i

BEDIENUNGSANLEITUNG

Originalbetriebsanleitung



“e-SPEC” wurde ursprünglich auf unseren Wunsch kreiert, die Natur auch für zukünftige Generationen zu erhalten. Nun symbolisiert dieses Logo umweltbewusste Technologien, die Honda bei ihren Motoren, elektrischen Einrichtungen, Außenmotoren usw. einsetzt.

Wir danken Ihnen für den Kauf eines Honda-Generators.

Diese Anleitung erläutert den Betrieb und die Wartungsschritte für das Generatormodell EU20i.

Das Handbuch enthält alle zur Zeit der Drucklegung erhältlichen neuesten Informationen.

Honda Motor Co., Ltd. behält sich das Recht vor, jederzeit ohne Vorankündigung Änderungen vorzunehmen, ohne irgendwelche Verpflichtungen einzugehen.

Kein Teil dieser Veröffentlichung darf ohne schriftliche Genehmigung reproduziert werden.

Diese Anleitung muss als Teil des Generators betrachtet werden und bei seinem Verkauf weitergegeben werden.

Widmen Sie Ihre besondere Aufmerksamkeit denjenigen Hinweisen und Anweisungen, die wie folgt gekennzeichnet sind:

▲WARNUNG Weist bei Nichtbefolgung auf schwere Verletzungen oder Todesfolge hin.

VORSICHT: Weist bei Nichtbefolgung auf Verletzungen oder Beschädigung der Ausrüstung hin.

HINWEIS: Vermittelt hilfreiche Informationen.

Falls Störungen auftreten, oder wenn Sie irgendwelche Fragen zum Generator haben, wenden Sie sich an einen autorisierten Honda-Händler.

▲WARNUNG
Honda-Generatoren sind für einen sicheren und zuverlässigen Betrieb ausgelegt, sofern sie entsprechend den Anweisungen betrieben werden. Lesen Sie die Bedienungsanleitung gründlich, bevor Sie den Generator in Betrieb nehmen. Anderenfalls können Personenverletzungen und/oder Geräteschäden verursacht werden.

Die enthaltenen Abbildungen beruhen vorwiegend auf: Typ EU

- Die Abbildung kann je nach Typ unterschiedlich sein.

INHALT

1. SICHERHEITSANWEISUNGEN	3
2. LAGE DER SICHERHEITSAUFKLEBER.....	7
Lage der CE-Spezifizierung und des Geräuschpegel-Hinweisschilds	11
3. BEZEICHNUNG DER TEILE	12
4. ÜBERPRÜFUNGEN VOR INBETRIEBNAHME.....	16
5. ANLASSEN DES MOTORS.....	21
• Vergasermodifikation für Betrieb in großer Höhenlage	24
6. BENUTZUNG DES GENERATORS.....	25
7. ABSTELLEN DES MOTORS	38
8. WARTUNG	40
9. TRANSPORT/LAGERUNG	45
10. FEHLERSUCHE	48
11. TECHNISCHE DATEN	51
12. SCHALTPLAN	53
STECKDOSE.....	54
ADRESSEN DER WICHTIGSTEN	
Honda-HAUPTHÄNDLER	Innenseite der hinteren Abdeckung "EG-Konformitätserklärung"
INHALTSÜBERSICHT	Innenseite der hinteren Abdeckung

1. SICHERHEITSANWEISUNGEN

WICHTIGER SICHERHEITSHINWEIS

Honda-Generatoren sind zum Betrieb von elektrischen Ausrüstungen mit geeigneten Leistungsanforderungen ausgelegt. Andere Anwendungen können zu Verletzungen der Bedienungsperson und zu einer Beschädigung des Generators sowie anderen Sachschäden führen.

Die meisten Verletzungen und Sachschäden lassen sich vermeiden, wenn alle Anweisungen in dieser Anleitung und alle am Generator angebrachten Anweisungen befolgt werden. Nachfolgend sind die üblichsten Gefahren mit entsprechenden Schutzmaßnahmen beschrieben.

Der Generator darf in keiner Weise modifiziert werden. Dies kann einen Unfall und eine Beschädigung des Generators sowie von Geräten zur Folge haben.

- Keine Verlängerung am Auspufftopf anschließen.
- Keine Veränderungen am Ansaugsystem vornehmen.
- Den Regler nicht einstellen.
- Das Bedienpult nicht abnehmen und dessen Verkabelung nicht verändern.

Verantwortung der Bedienungsperson

Sie müssen den Generator in einem Notfall schnell stoppen können.

Machen Sie sich mit allen Bedienungselementen, Ausgangssteckdosen und Anschlüssen des Generators vertraut.

Vergewissern Sie sich, dass jede Person, die den Generator bedient, richtig eingewiesen worden ist. Sorgen Sie dafür, dass Kinder ohne Aufsicht keinen Zugang zum Generator haben.

Befolgen Sie die Anweisungen in diesem Handbuch hinsichtlich des Gebrauchs und der Wartung des Generators. Nichtbeachtung oder falsche Ausführung der gegebenen Anweisungen kann zu Unfällen, z. B. durch Stromschläge, und zu einer Verschlechterung der Abgasbeschaffenheit führen.

Beachten Sie bitte alle für den Einsatzbereich des Generators geltenden Vorschriften und Gesetze.

Benzin und Öl sind giftig. Vor Gebrauch die Anweisungen des jeweiligen Herstellers lesen und befolgen.

Den Generator auf einer festen, ebenen Stelle absetzen.

Den Generator nicht betreiben, wenn irgendeine Abdeckung abgenommen ist. Dies würde erhöhte Unfallgefahr bedeuten, und Sie könnten sich mit einer Hand oder einem Fuß im Generator verfangen.

Bezüglich Zerlegungs- und Wartungsverfahren des Generator, die in diesem Handbuch nicht beschrieben sind, wenden Sie sich bitte an Ihren Honda-Händler.

Kohlenmonoxid-Gefahr

Abgase enthalten Kohlenmonoxid, ein farb- und geruchloses Giftgas. Einatmung von Abgasen kann Bewusstlosigkeit verursachen und tödlich wirken.

Wenn Sie den Generator in einem geschlossenen oder auch nur teilweise geschlossenen Raum laufen lassen, kann die Luft, die Sie einatmen, eine gefährliche Abgasmenge enthalten.

Der Generator darf auf keinen Fall in einer Garage, in einem Haus bzw. in der Nähe geöffneter Fenster oder Türen betrieben werden.

Stromschlaggefahr

Der Generator erzeugt so viel elektrische Energie, dass Missbrauch zu Stromschlägen führen kann, die tödlich ausgehen können.

Gebrauch eines Generator oder elektrischen Gerätes unter feuchten Bedingungen, wie z. B. bei Regen oder Schnee, in der Nähe eines Schwimmbekens oder einer Beregnungsanlage, bzw. mit nassen Händen, kann zu tödlichen Stromschlägen führen.

Sorgen Sie stets dafür, dass der Generator trocken bleibt.

Wenn der Generator im Freien, ungeschützt vor Wetter, abgestellt ist, sind alle elektrischen Komponenten am Bedienpult vor jedem Gebrauch zu überprüfen. Feuchtigkeit oder Eis kann Funktionsstörungen und Kurzschlüsse bei elektrischen Komponenten und damit tödliche Stromschläge verursachen.

Wenn Sie einen Stromschlag erlitten haben, begeben Sie sich unverzüglich in ärztliche Behandlung.

Brand- und Verbrennungsgefahr

Den Generator nicht in einer Umgebung betreiben, in der hohe Brandgefahr besteht.

Die Auspuffanlage wird so heiß, dass sich gewisse Materialien an ihr entzünden können.

- Halten Sie den Generator während des Betriebs mindestens 1 Meter von Gebäuden und anderen Geräten fern.
- Der Generator darf auf keine Weise umschlossen werden.
- Halten Sie brennbare Materialien vom Generator fern.

Gewisse Teile des Verbrennungsmotors können so heiß werden, dass man sich daran verbrennen kann. Achten Sie auf die am Generator angebrachten Warnhinweise.

Der Auspufftopf wird während des Betriebs sehr heiß und bleibt auch nach dem Abstellen des Motors eine gewisse Zeit lang heiß. Darauf achten, den Auspufftopf in heißem Zustand nicht zu berühren. Den Motor abkühlen lassen, bevor der Generator in einem geschlossenen Raum abgestellt wird.

Falls ein Brand ausbricht, darf Wasser nicht direkt über den Generator gegossen werden. In diesem Fall ist ein speziell für elektrische Brände oder Ölbrände entwickelter Feuerlöscher einzusetzen.

Bei Einatmung von Rauchgasen im Falle eines Generatorbrands begeben Sie sich unverzüglich in ärztliche Behandlung.

Vorsicht beim Tanken

Benzin ist außerordentlich feuergefährlich, Benzindampf kann explodieren. Lassen Sie den Motor nach Betrieb des Generators abkühlen.

Tanken Sie nur im Freien in einem gut belüfteten Bereich bei gestopptem Motor.

Während des Betriebs darf nicht nachgetankt werden.

Den Tank nicht überfüllen.

In der Nähe von Benzin darf nicht geraucht werden, jegliche Flammen und Funken sind fern zu halten.

Bewahren Sie Benzin stets in einem zugelassenen Behälter auf.

Eventuell verschüttetes Benzin muss vollständig aufgewischt werden, bevor der Motor gestartet wird.

Explosionssicher

Dieser Generator erfüllt Explosionssicherheitsanforderungen nicht.

Entsorgung

Aus Umweltschutzgründen dürfen Generator, Batterie, Motoröl usw. nicht einfach in den Abfall gegeben werden. Beachten Sie alle örtlichen Gesetze und Vorschriften hinsichtlich der korrekten Entsorgung derartiger Teile und Stoffe. Ihr autorisierter Honda-Generator-Händler berät Sie dabei gerne.

Bei der Beseitigung des Altöls bitte die entsprechenden Umweltschutzbestimmungen beachten. Wir empfehlen, dass Sie das Altöl zu Ihrer örtlichen Tankstelle bringen. Das gebrauchte Motoröl nicht in den Abfall werfen oder auf den Boden gießen.

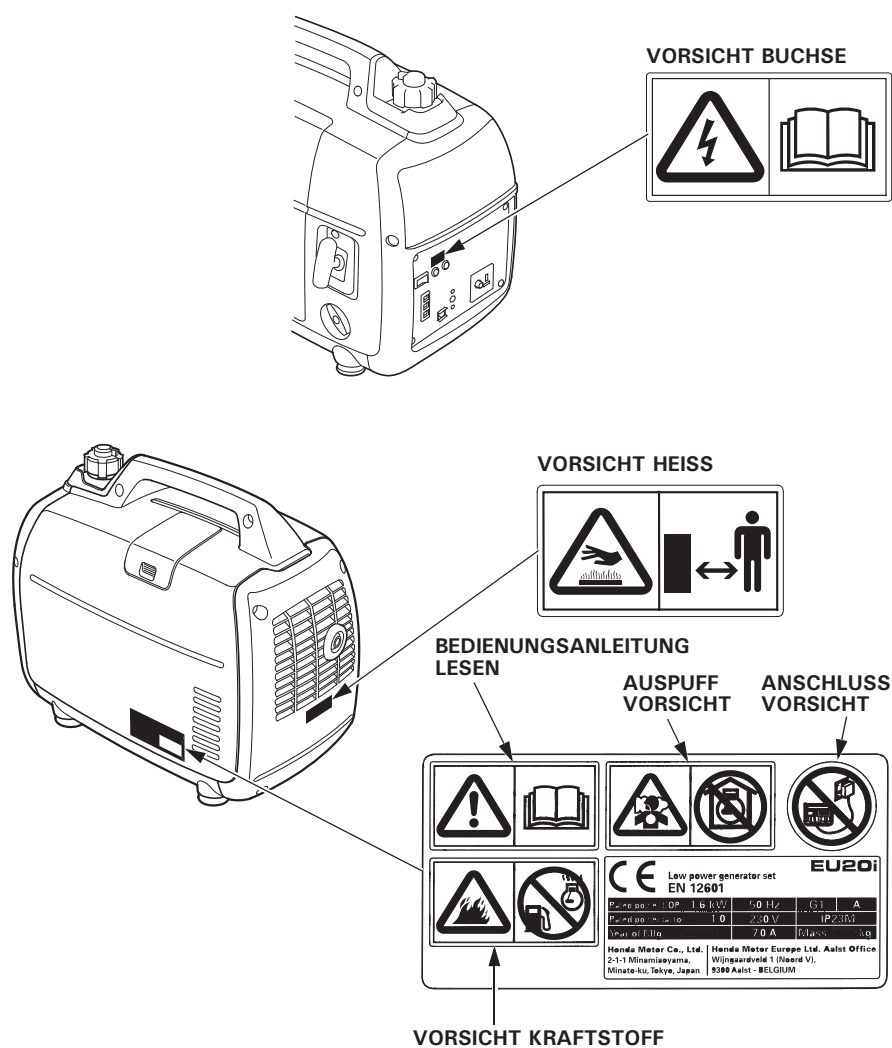
Eine unsachgemäß entsorgte Batterie kann die Umwelt schädigen. Halten Sie sich beim Entsorgen von Batterien stets an örtlich geltende Vorschriften. Bezüglich Ersatz wenden Sie sich bitte an Ihre Kundendienstwerkstatt.

2. LAGE DER SICHERHEITSaufkleber

Diese Aufkleber informieren über potentielle Gefahrenquellen, die schwere Verletzungen verursachen können. Die in dieser Anleitung erwähnten Hinweisschilder und Sicherheitshinweise sorgfältig durchlesen.

Falls sich ein Aufkleber abgelöst hat oder schwer leserlich geworden ist, wenden Sie sich an Ihre Kundendienstwerkstatt, um einen Ersatz zu bekommen.

[Für europäische Modelle: Typen G, GP3, GW, GW1, B, F, W, CL]





- **Honda-Generatoren sind für einen sicheren und zuverlässigen Betrieb ausgelegt, sofern sie entsprechend den Anweisungen betrieben werden.**

Lesen Sie die Bedienungsanleitung gründlich, bevor Sie den Generator in Betrieb nehmen. Andernfalls können Personenverletzungen und/oder Geräteschäden verursacht werden.



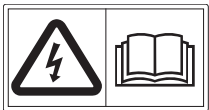
- **Abgase enthalten Kohlenmonoxid, ein farb- und geruchloses Giftgas. Einatmung von Kohlenmonoxid kann Bewusstlosigkeit verursachen und tödlich wirken.**
- **Wenn Sie den Generator in einem geschlossenen oder auch nur teilweise geschlossenen Raum laufen lassen, kann die Luft, die Sie einatmen, eine gefährliche Abgasmenge enthalten.**
- **Der Generator darf auf keinen Fall in einer Garage, in einem Haus bzw. in der Nähe geöffneter Fenster oder Türen betrieben werden.**



- **Falsche Anschlüsse an das elektrische Leitungssystem eines Gebäudes können zur Einspeisung von Strom vom Generator in das Netz führen. Dieser Vorgang kann zu lebensgefährlichen Stromschlägen für Beschäftigte des Stromversorgungsunternehmens oder andere Personen führen, die während eines Stromausfalls Netzleitungen berühren. Außerdem kann der Generator bei erneuter Zuschaltung der Netzspannung explodieren, Feuer fangen oder einen Brand verursachen. Bevor Sie derartige Stromanschlüsse herstellen, setzen Sie sich mit dem Stromversorgungsunternehmen oder einem Fachmann in Verbindung.**



- **Benzin ist äußerst feuergefährlich und explosiv. Bevor getankt wird, den Motor abstellen und abkühlen lassen.**

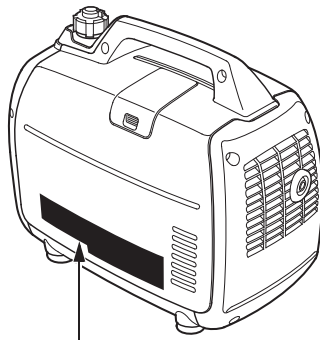


- **Die Anschlussbox für Parallelbetrieb bei gestopptem Motor anschließen und trennen.**
- **Für Einzelbetrieb muss die Anschlussbox für Parallelbetrieb abgetrennt werden.**



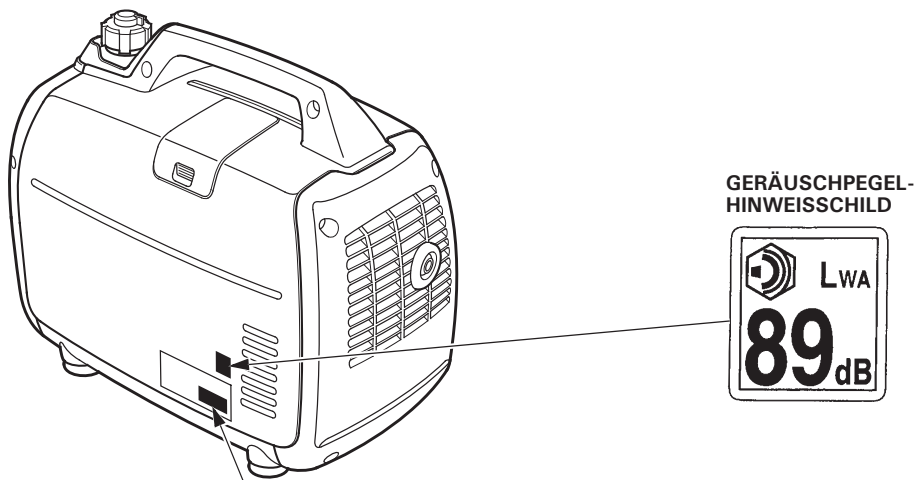
- **An einer heißen Auspuffanlage kann man sich ernsthafte Verbrennungen zuziehen. Wenn der Motor in Betrieb war, ist Berührung zu vermeiden.**

[Für australische Modelle: Typ U]



▲ CAUTION	▲ ATTENTION
<ul style="list-style-type: none">■ DO NOT USE INDOORS DUE TO DANGER OF CARBON MONOXIDE POISONING.■ DO NOT CONNECT THE RECEPTACLE OF THIS GENERATOR TO HOUSE WIRING.■ STOP THE ENGINE BEFORE REFUELING.■ CHECK FOR SPILLED FUEL OR FUEL LEAKS.■ DO NOT FILL THE FUEL TANK BEYOND THE UPPER LIMIT LINE.■ FOR DETAILED EXPLANATION, READ THE OWNER'S MANUAL.■ WHEN STORED OR IN TRANSIT, MAKE CERTAIN THAT THE ENGINE SWITCH AND THE FUEL TANK CAP LEVER ARE IN "OFF" POSITION TO PREVENT FUEL LEAKS.■ BE SURE TO CONNECT ONLY THE SPECIAL LEAD TO THE PARALLEL OPERATION RECEPTACLE.	<ul style="list-style-type: none">■ NE PAS UTILISER DANS UN LOCAL CLOS OÙ LES VAPEURS NOCIVES DE MONOXYDE DE CARBONE PEUVENT S'ACCUMULER.■ NE JAMAIS CONNECTER LE GROUPE ÉLECTROGÈNE À UNE PRISE DE SECTEUR.■ ARRÊTER LE MOTEUR AVANT DE FAIRE LE PLEIN D'ESSENCE.■ CONTRÔLER QU'IL N'Y A NI FUITE D'ESSENCE, NI D'ESSENCE RÉPANDUE SUR L'APPAREIL.■ NE PAS REMPLIR LE RÉSERVOIR D'ESSENCE AU-DESSUS DU REPÈRE DE NIVEAU MAXIMUM.■ POUR PLUS D'INFORMATIONS, LIRE LE MANUEL DE L'UTILISATEUR.■ QUAND LE GROUPE ÉLECTROGÈNE EST REMISÉ OU TRANSPORTÉ, S'ASSURER QUE LE CONTACT D'ARRÊT DU MOTEUR ET LA MISE À L'AIR LIBRE DU RÉSERVOIR D'ESSENCE SONT SUR LA POSITION "OFF" AFIN D'ÉVITER TOUTE FUITE D'ESSENCE.■ CONNECTER UNIQUEMENT LE CORDON SPÉCIAL À LA PRISE POUR UTILISATION EN PARALLÈLE.

- Lage der CE-Spezifizierung und des Geräuschpegel-Hinweisschilds
[Für europäische Modelle: Typen G, GP3, GW, GW1, B, F, W, CL]



CE -SPEZIFIZIERUNG

Herstellungsjahr

CE Low power generator set EN 12601		EU20i	
Rated power COP	1.6 kW	50 Hz	G1 A
Rated power factor	1.0	230 V	IP23M
Year of Mfg.		7.0 A	Mass kg
Honda Motor Co., Ltd. 2-1-1 Minamiaoyama, Minato-ku, Tokyo, Japan		Honda Motor Europe Ltd. Aalst Office Wijngaardveld 1 (Noord V), 9300 Aalst - BELGIUM	

Leistungsklassifizierung

Qualitätsklassifizierung

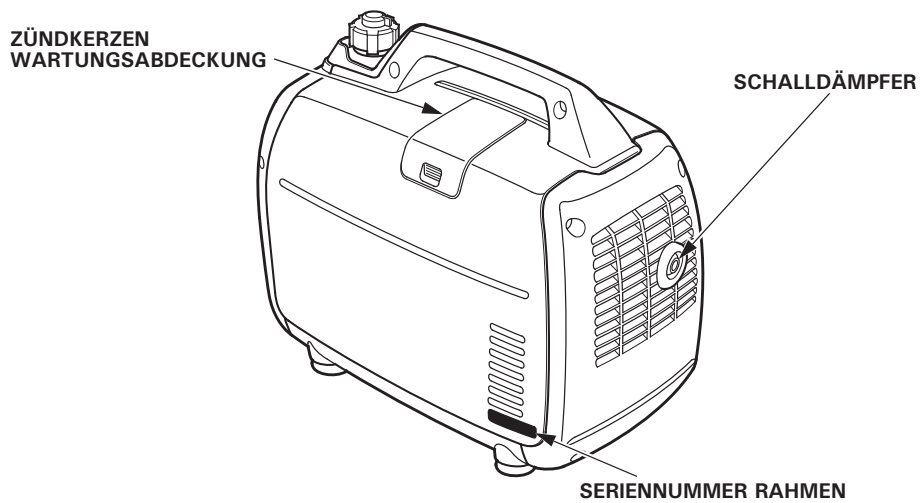
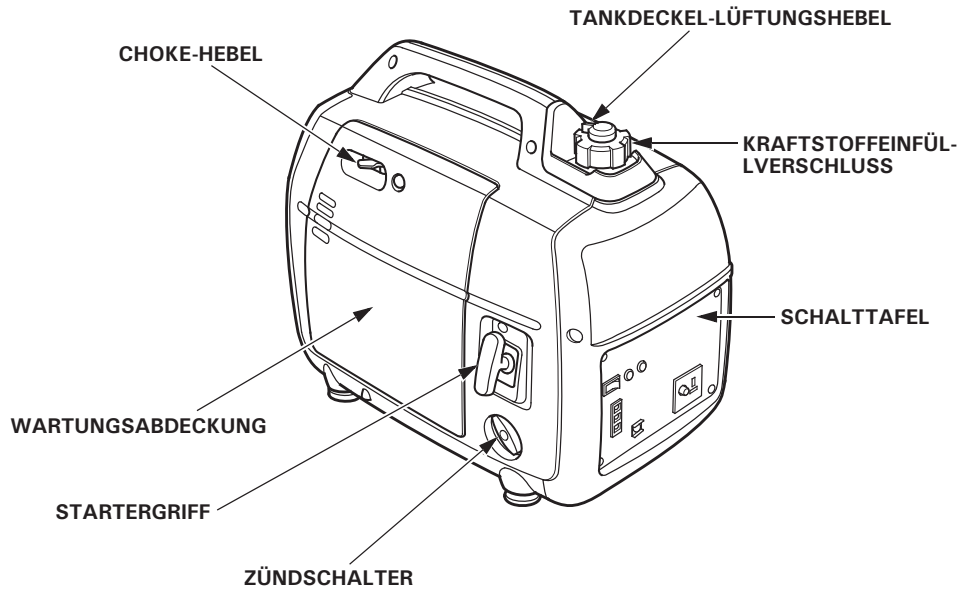
IP-Code

Trockenmasse (Gewicht)

Hersteller und Adresse

Name und Adresse des autorisierten Beauftragten

3. BEZEICHNUNG DER TEILE

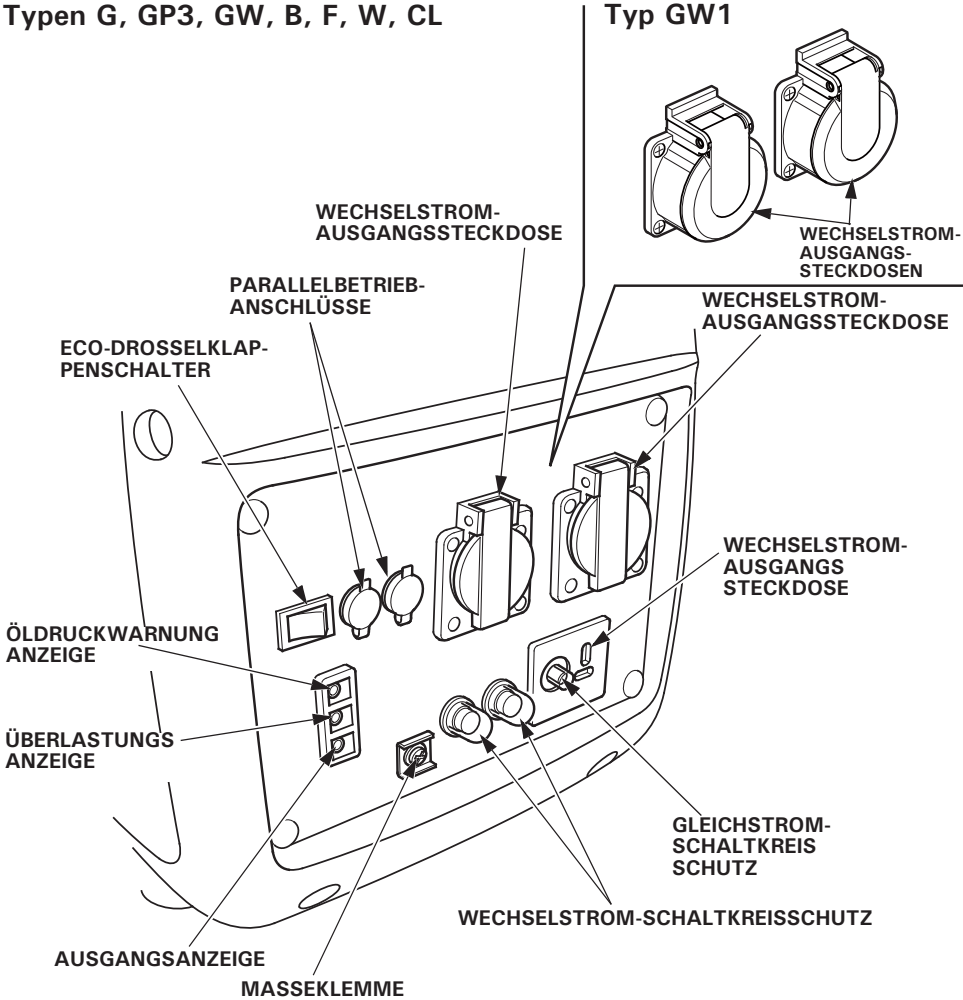


Schreiben Sie die Rahmen-Seriennummer in die nachfolgende freie Stelle. Bei der Bestellung von Bauteilen ist diese Nummer erforderlich.

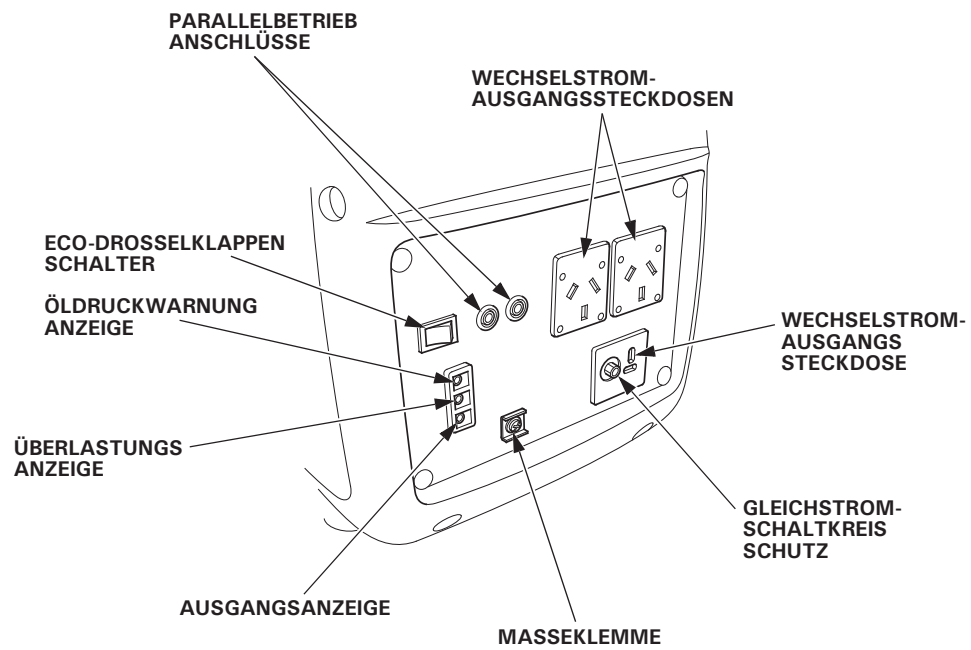
Rahmen-Seriennummer: _____

SCHALTТАFEL

Typen G, GP3, GW, B, F, W, CL



Typ U



Eco-Drosselklappe

ECO:

Hierbei wird die Motordrehzahl automatisch auf die Leerlaufdrehzahl eingestellt, wenn der elektrische Stromverbraucher abgeklemmt wird; beim Wiederanschießen des elektrischen Stromverbrauchers wird wieder auf die der Belastung entsprechenden Drehzahl zurückgekehrt. Es wird empfohlen, diese Position zur Minimierung des Kraftstoffverbrauchs während des Betriebs zu wählen.

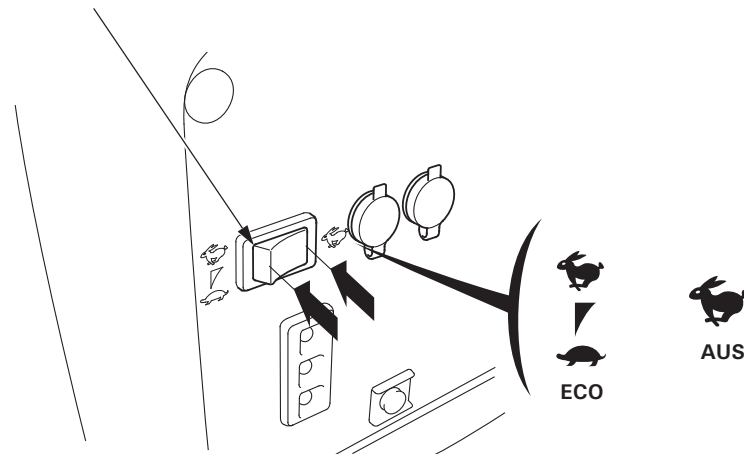
HINWEIS:

- Das Eco-Drosselklappensystem lässt sich nicht wirksam einsetzen, wenn der elektrische Verbraucher Momentanstrom erfordert.
- Bei einem gleichzeitigen Anschließen von Geräten mit hoher Leistungsaufnahme ist der Eco-Drosselklappenschalter auf AUS zu stellen, um Spannungsschwankungen abzuschwächen.
- Bei Gleichstrombetrieb ist der Eco-Drosselklappenschalter auf AUS zu stellen.

AUS:

Das Eco-Drosselklappensystem arbeitet nicht. Die Motordrehzahl wird im Bereich von Motordrehzahl (bei deaktiviertem Eco-Drosselklappensystem) der Seite "TECHNISCHE DATEN" gehalten.

ECO-DROSSELKLAPPENSCHALTER



4. ÜBERPRÜFUNGEN VOR INBETRIEBNAHME

VORSICHT:

Den Generator unbedingt auf ebener Fläche bei abgestelltem Motor überprüfen.

1. Den Motorölstand kontrollieren.

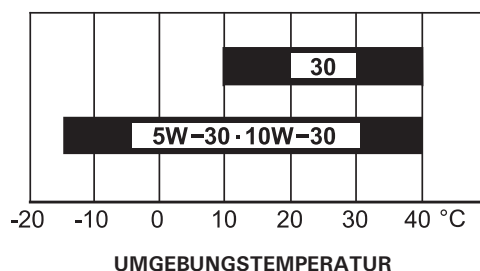
VORSICHT:

Durch die Verwendung von unverseifbarem Öl oder Zweitaktöl kann die Lebensdauer des Motors verkürzt werden.

Empfohlenes Öl

Motoröl für Viertaktmotoren verwenden, das die Anforderungen für API-Serviceklasse SE oder höher (bzw. gleichwertig) erfüllt oder überschreitet. Prüfen Sie stets das API-Service-Etikett am Ölbehälter, um sicherzugehen, dass es die Buchstaben SE oder die einer höheren Klasse (bzw. entsprechende) enthält.

Vor dem Gebrauch lesen Sie bitte die Anweisung auf dem Ölbehälter.

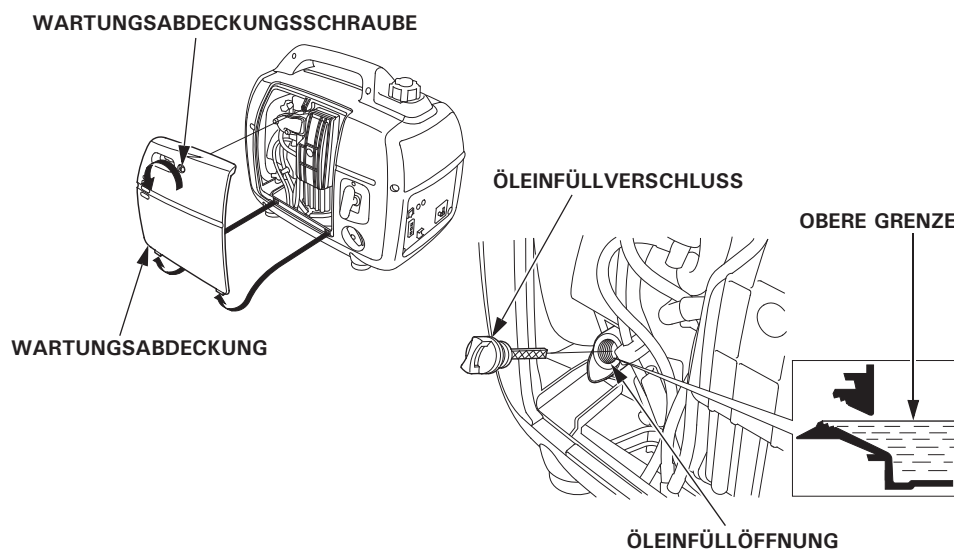


SAE 10W-30 wird für allgemeinen Gebrauch empfohlen. Andere in der Tabelle angegebene Viskositäten können verwendet werden, wenn die durchschnittliche Temperatur in Ihrem Gebiet innerhalb des empfohlenen Bereichs liegt.

-
- (1) Die Wartungsabdeckungsschraube lösen und die Wartungsabdeckung abnehmen.
 - (2) Den Öleinfüllverschluss entfernen.
 - (3) Den Ölstand kontrollieren. Wenn er zu niedrig ist, bis zur oberen Grenze mit dem empfohlenen Öl auffüllen.
 - (4) Den Öleinfüllverschluss wieder sicher anbringen.

VORSICHT:

Betreiben des Motors mit unzureichender Ölfüllung kann eine ernsthafte Beschädigung des Motors zur Folge haben.



HINWEIS:

Das Ölwarnsystem stoppt den Motor automatisch, bevor der Ölstand unter das sichere Minimalniveau sinken kann. Um jedoch ein unerwartetes Abschalten und die damit verbundenen Unannehmlichkeiten zu vermeiden, ist es dennoch ratsam, den Ölstand regelmäßig zu kontrollieren.

2. Den Kraftstoffstand kontrollieren.

Wenn der Kraftstoffstand zu niedrig ist, bis zum angegebenen Füllstand nachtanken. Nach dem Auffüllen den Kraftstoffeinfüllverschluss wieder gut festdrehen.

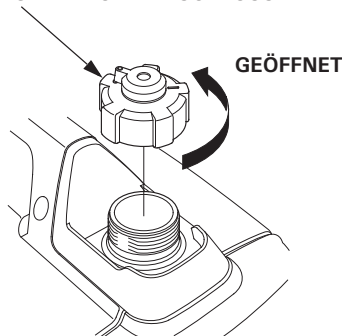
Bleifreies Kraftfahrzeugbenzin mit einer Research-Oktananzahl von 91 oder höher (einer Pump Octane Number von 86 oder höher) verwenden. Niemals abgestandenes oder verschmutztes Benzin bzw. ein Öl/Benzin-Gemisch verwenden. Darauf achten, dass weder Schmutz noch Wasser in den Kraftstofftank gelangt.

▲WARNUNG

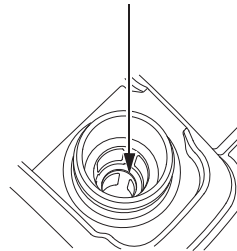
- Benzin ist äußerst feuergefährlich und unter gewissen Bedingungen explosiv.
- Nur in einem gut belüfteten Bereich und bei abgestelltem Motor auftanken. Beim Auftanken und an Orten, an denen Kraftstoff gelagert wird, nicht rauchen und offene Flammen oder Funken fernhalten.
- Den Tank nicht überfüllen (Der Kraftstoff darf nicht die obere Grenzmarke überschreiten.). Nach dem Tanken sicherstellen, dass der Kraftstoffeinfüllverschluss richtig aufgesetzt und gut festgedreht wurde.
- Darauf achten, dass beim Auftanken kein Kraftstoff verschüttet wird. Benzindämpfe oder verschütteter Kraftstoff können sich entzünden. Wenn dennoch Kraftstoff verschüttet wird, diesen vor dem Anlassen des Motors unbedingt aufwischen.
- Wiederholten oder längeren Kontakt mit der Haut, sowie das Einatmen von Dämpfen vermeiden.

AUSSERHALB DER REICHWEITE VON KINDERN HALTEN.

KRAFTSTOFFEINFÜLLVERSCHLUSS



OBERE GRENZMARKE



HINWEIS:

Einflussfaktoren wie Lichteinstrahlung, Umgebungstemperatur und Lagerzeit können die Beschaffenheit des Benzins schnell verändern.

Schlimmstenfalls kann Benzin schon innerhalb von 30 Tagen unbrauchbar werden.

Durch Gebrauch minderwertigen Benzins kann ein ernsthafter Motorschaden verursacht werden (Vergaserverstopfung, Ventilklemmen usw.).

Schäden, die sich auf den Gebrauch minderwertigen Benzins zurückführen lassen, sind von der Garantie nicht abgedeckt.

Um derartige Schäden zu vermeiden, sollten Sie sich an die folgenden Empfehlungen halten:

- Nur das vorgeschriebene Benzin verwenden (siehe Seite 18).
- Frisches und sauberes Benzin verwenden.
- Benzin sollte in einem zugelassenen Kraftstoffbehälter aufbewahrt werden, um eine Qualitätsminderung hinauszuzögern.
- Wenn eine längere Außerbetriebsetzung (länger als 30 Tage) geplant ist, Kraftstofftank und Vergaser entleeren (siehe Seite 46).

Alkoholhaltiges Benzin

Falls Sie sich für die Verwendung von alkoholhaltigem Benzin (Gasohol) entscheiden, vergewissern Sie sich, dass seine Oktanzahl mindestens so hoch ist wie die von Honda für bleifreies Benzin empfohlene.

Es gibt zwei Arten von "Gasohol": die eine enthält Äthanol und die andere Methanol.

Verwenden Sie kein Gasohol, das mehr als 10 % Äthanol enthält.

Verwenden Sie kein Benzin, das mehr als 5 % Methanol (Methyl- oder Holzalkohol) enthält, und auch kein Benzin mit Methanolgehalt, das nicht Kosolventen und Korrosionsinhibitoren für Methanol beinhaltet.

HINWEIS:

- Kraftstoffsystemschäden und Motorleistungsstörungen, die sich auf den Gebrauch von Benzin mit einem höheren Alkoholgehalt als empfohlen zurückführen lassen, sind von der Garantie nicht abgedeckt.
- Bevor Sie Benzin bei einer Ihnen unbekanntem Tankstelle kaufen, sollten Sie zunächst feststellen, ob das Benzin Alkohol enthält, und wenn ja, welchen Typ und zu welchem Prozentsatz.

Falls Sie bei Betrieb mit Benzin einer bestimmten Sorte unerwünschte Begleiterscheinungen feststellen, sollten Sie zu einem Benzin wechseln, das mit Sicherheit weniger als die empfohlene Alkoholmenge enthält.

3. Den Luftfilter kontrollieren.

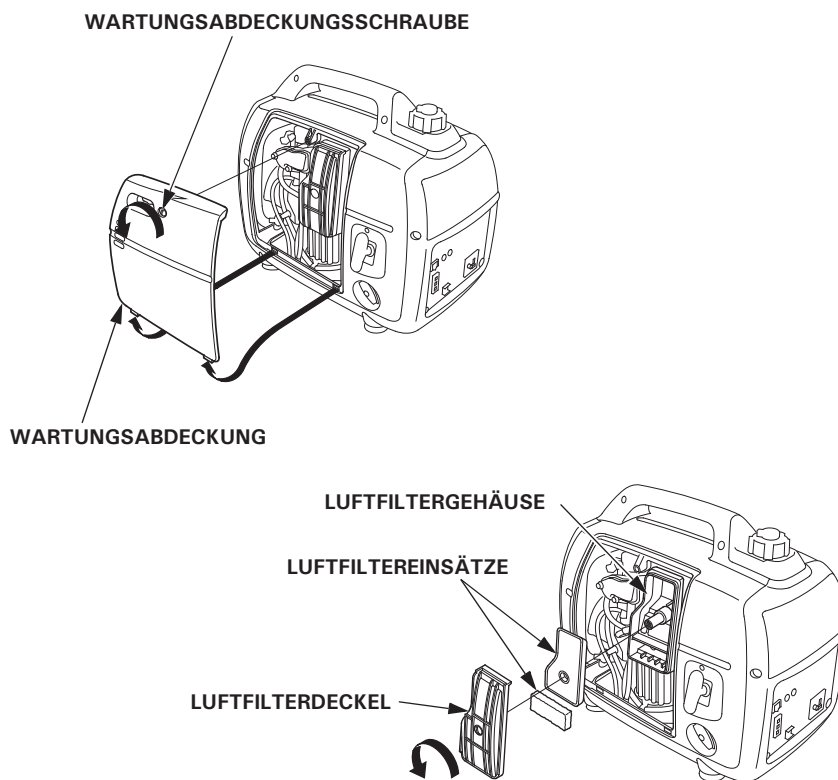
Die Luftfiltereinsätze überprüfen, um sicherzustellen, dass diese sauber und in gutem Zustand sind.

Die Wartungsabdeckungsschraube lösen und die Wartungsabdeckung abnehmen. Den Verriegelungsansatz an der Oberseite des Luftfiltergehäuses drücken, den Luftfilterdeckel abnehmen, und die Einsätze überprüfen.

Die Einsätze erforderlichenfalls reinigen oder auswechseln (siehe Seite 42).

VORSICHT:

Den Motor niemals ohne die Luftfiltereinsätze laufen lassen. Die durch den Vergaser in den Motor eingesaugten Staub- und Schmutzteilchen verursachen schnellen Motorverschleiß.



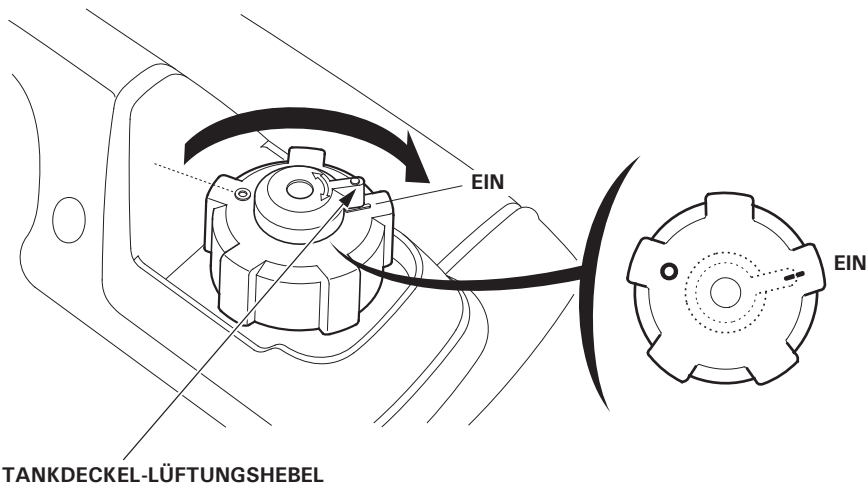
5. ANLASSEN DES MOTORS

Vor dem Anlassen des Motors müssen angeschlossene Stromverbraucher von der Wechselstrom-Steckdose abgeklemmt werden.

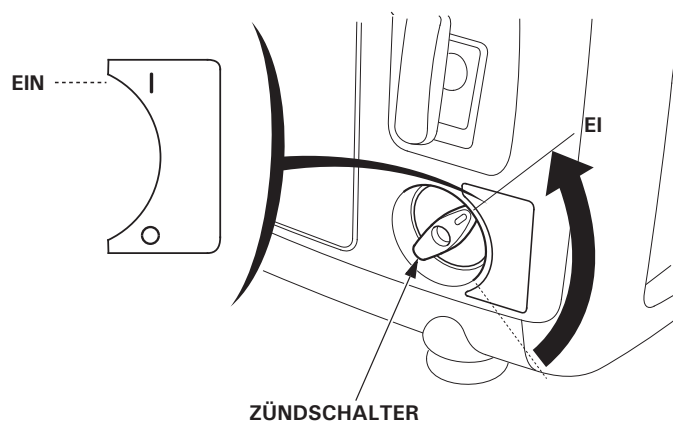
1. Den Tankdeckel-Hebel im Uhrzeigersinn bis zum Anschlag drehen und auf die EIN-Position stellen.

HINWEIS:

Zum Transport des Generators den Tankdeckel-Lüftungshebel auf AUS drehen.



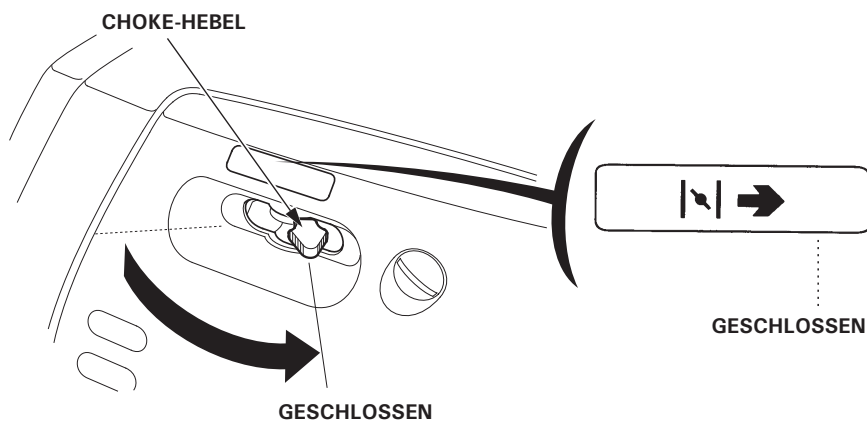
2. Den Zündschalter auf EIN stellen.



3. Den Choke-Hebel auf die GESCHLOSSEN-Position schieben.

HINWEIS:

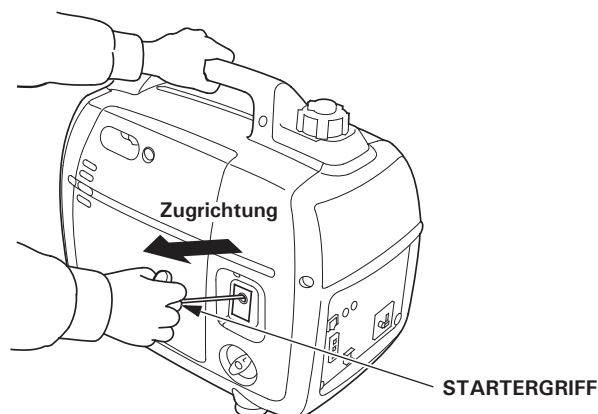
Den Choke nicht bei betriebswarmem Motor oder hohen Außentemperaturen verwenden.



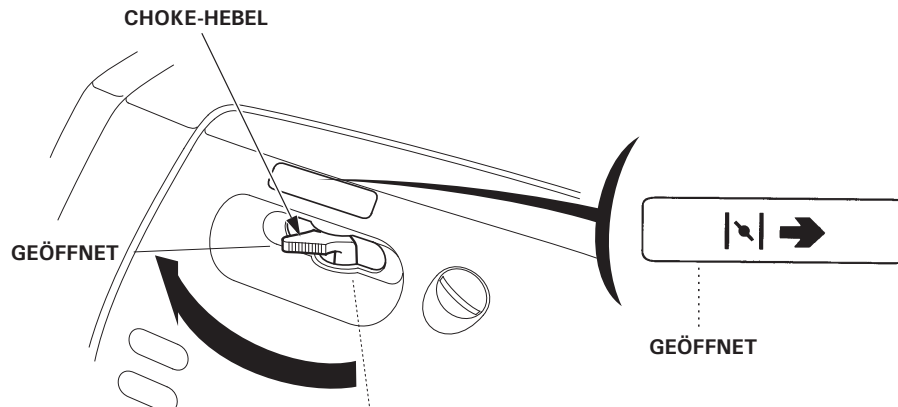
4. Den Startergriff leicht herausziehen, bis ein Widerstand verspürt wird, dann den Griff kräftig in Pfeilrichtung ziehen, wie unten gezeigt.

VORSICHT:

- Der Startergriff kann sehr schnell zurückgezogen werden, bevor man ihn loslässt. Dadurch kann Ihre Hand so stark in Richtung Motor gezogen werden, dass Sie sich verletzen können.
- Den Startergriff nicht zurückschlagen lassen. Vorsichtig mit der Hand zurückführen.



5. Während der Warmlaufzeit des Motors den Choke-Hebel auf die GEÖFFNET-Position schieben.



HINWEIS:

Wenn der Motor stehen bleibt und sich nicht mehr starten lässt, den Ölstand kontrollieren (siehe Seite 17), bevor die Störung in anderen Bereichen gesucht wird.

- **Vergasermodifikation für Betrieb in großer Höhenlage**

In großen Höhenlagen ist das Standard-Kraftstoff-/Luftgemisch des Vergasers zu fett. Die Leistung nimmt ab, der Kraftstoffverbrauch hingegen zu. Ein sehr fettes Gemisch führt auch zu einer Verschmutzung der Zündkerze und zu Startproblemen. Längerer Betrieb in einer Höhenlage, die nicht in den Bereich fällt, für den dieser Motor als geeignet befunden worden ist, kann erhöhte Emissionswerte zur Folge haben.

Bei Betrieb in großer Höhenlage kann die Motorleistung durch entsprechende Vergasermodifikationen verbessert werden. Wenn der Generator stets in Höhenlagen von über 1.500 Metern betrieben wird, lassen Sie diese Vergasermodifikationen von Ihrer Kundendienstwerkstatt vornehmen. Wenn der Motor in großen Höhenlagen mit den entsprechenden Vergasermodifikationen betrieben wird, erfüllt er während seiner gesamten Lebensdauer jede Emissionsnorm.

Selbst bei Vergasermodifikation nimmt die Motorleistung pro 300 m Höhenzunahme um etwa 3,5 % ab. Ohne Vergasermodifikation ist die Auswirkung der Höhenlage auf die Motorleistung noch größer.

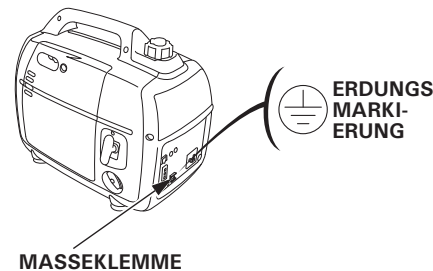
VORSICHT:

Wenn der Generator in einer niedrigeren Meereshöhe als der für die Vergaser-Kalibrierung vorgesehenen betrieben wird, kann Leistungsverlust, Überhitzen und sogar ein ernsthafter Motorschaden durch ein zu mageres Kraftstoff-/Luftgemisch eintreten.

6. BENUTZUNG DES GENERATORS

Der Generator erzeugt so viel elektrische Energie, dass Missbrauch zu Stromschlägen führen kann, die tödlich ausgehen können. Wenn das angeschlossene Gerät geerdet ist, muss auch der Generator geerdet werden.

Zum Erden der Klemme des Generators einen Kupferdraht verwenden, der denselben oder einen größeren Durchmesser aufweist als das Kabel des angeschlossenen Geräts.

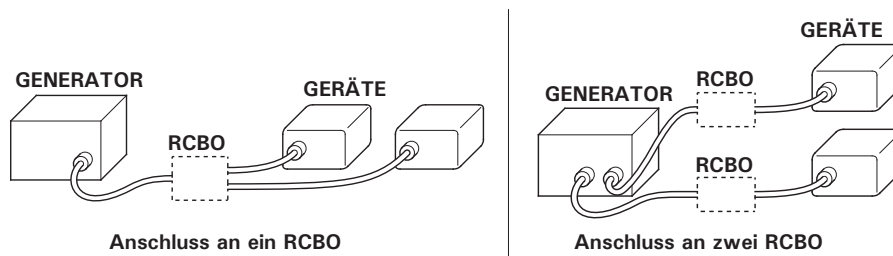


Zum Anschluss eines Geräts mit Erdleiter einen Verlängerungskabelsatz mit Erdleiter verwenden.

Zur Identifizierung des Massepunkts im Stecker siehe STECKDOSE, Seite 54.

Bei Gebrauch von zwei oder mehr Geräten einen Fehlerstromschutzschalter mit Überlastschutz (RCBO) anschließen, der eine Erdfehlerstromerkennung von 30 mA und eine Stromabschaltgeschwindigkeit von unter 0,4 Sekunden bei mehr als 30 A Ausgangsstrom aufweist.

Vor Gebrauch die Anleitung des jeweiligen RCBO-Herstellers lesen und befolgen.



⚠ WARNUNG

Falsche Anschlüsse an das elektrische Leitungssystem eines Gebäudes können zur Einspeisung von Strom vom Generator in das Netz führen.

Dieser Vorgang kann zu lebensgefährlichen Stromschlägen für Beschäftigte des Stromversorgungsunternehmens oder andere Personen führen, die während eines Stromausfalls Netzleitungen berühren. Außerdem kann der Generator bei erneuter Zuschaltung der Netzspannung explodieren, Feuer fangen oder einen Brand verursachen.

Bevor Sie derartige Stromanschlüsse herstellen, setzen Sie sich mit dem Stromversorgungsunternehmen oder einem Fachmann in Verbindung.

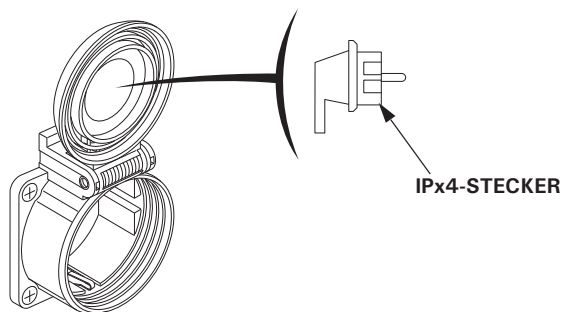
VORSICHT:

- Der angegebene Höchstwert der Leistungsaufnahme darf an keinem der Anschluss-Stecker überschritten werden.
- Der Generator darf nicht für Verwendungszwecke modifiziert werden, für die der Generator nicht vorgesehen ist. Die folgenden Hinweise sind bei der Benutzung des Generators besonders zu beachten.
- Keine Verlängerung an das Auspuffrohr anschließen.
- Wenn ein Verlängerungskabel erforderlich ist, muss ein widerstandsfähiges, flexibles Kabel mit Gummihülle verwendet werden (IEC 245 oder gleichwertige Qualität).
- Maximale Längen für Verlängerungskabel; 60 m bei einem Kabelquerschnitt von 1,5 mm² und 100 m bei einem Kabelquerschnitt von 2,5 mm². Lange Verlängerungskabel vermindern aufgrund des Kabelwiderstands die Nutzleistung.
- Den Generator stets von anderen elektrischen Kabeln und Versorgungsleitungen entfernt halten.

▲WARNUNG

Typ GW1

Bei Anschluss eines abgewinkelten Steckers nur einen IPx4-Stecker verwenden.

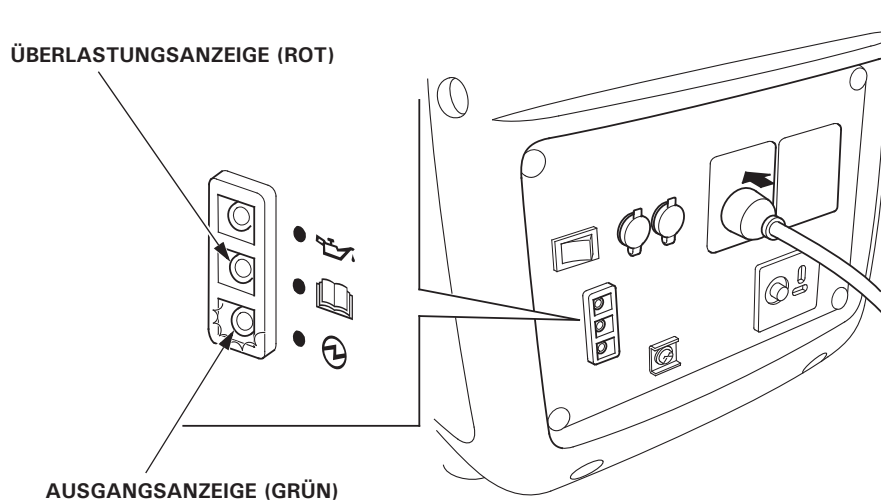


HINWEIS:

- Die Gleichstrom-Steckdose kann während eines Wechselspannungsbetriebs verwendet werden. Wenn beide gleichzeitig verwendet werden, darf die maximale Wechselstromleistung nicht überschritten werden. Maximale Wechselstromleistung: 1,5 kVA
- Die meisten Gerätemotoren verbrauchen mehr als ihre angegebene Nennleistungsaufnahme zum Anlaufen.
- Sicherstellen, dass der elektrische Nennwert des Werkzeugs oder Geräts den des Generators nicht überschreitet. Die Höchstnennleistung des Generators darf niemals überschritten werden. Leistungsstufen zwischen Nenn- und Höchstleistung dürfen nicht länger als 30 Minuten benutzt werden.
- Im Falle einer größeren Überlastung wird der Wechselstrom-Schaltkreisschutz aktiviert (außer Typ U). Durch Überschreitung der Zeitgrenze für Höchstleistungsbetrieb oder durch eine geringfügige Überlastung des Generators wird der Wechselstrom-Schaltkreisschutz unter Umständen nicht aktiviert, die Lebensdauer des Generators verkürzt sich jedoch.
- Ein Betrieb mit maximaler Leistung ist auf eine Dauer von 30 Minuten zu begrenzen. Die Höchstleistung beträgt: 2,0 kVA
- Bei Dauerbetrieb darf die Nennleistung nicht überschritten werden. Die Nennleistung beträgt: 1,6 kVA
- In jedem Fall ist der gesamte Strombedarf (VA) aller angeschlossenen Geräte zu berücksichtigen.

Wechselstrombetrieb

1. Den Motor starten und sicherstellen, dass die Ausgangsanzeige (grün) aufleuchtet.
2. Sich vergewissern, dass das zu verwendende Gerät ausgeschaltet ist, dann den Stecker des Geräts einstecken.



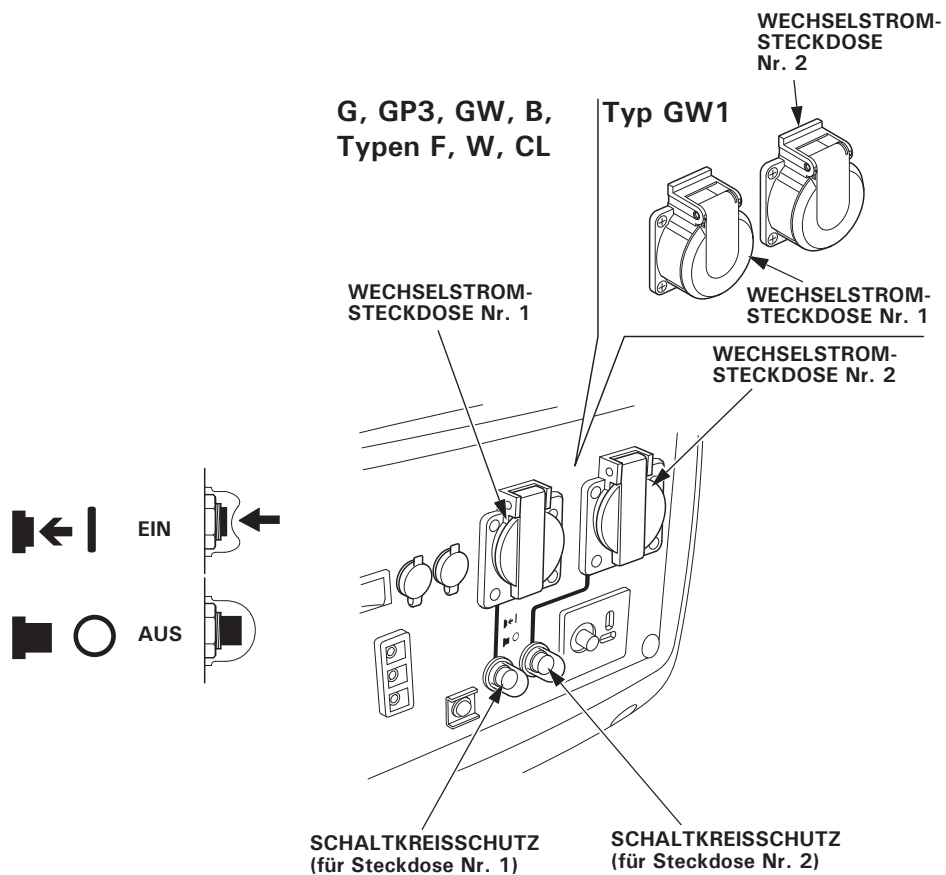
VORSICHT:

- Eine hohe Überlastung, die ständig die Überlastungsanzeige (rot) aufleuchten lässt, kann den Generator beschädigen. Durch eine geringfügigere Überlastung, die ein vorübergehendes Leuchten der Überlastungsanzeige (rot) verursacht, kann die Lebensdauer des Generators verkürzt werden.
- Sicherstellen, dass sich alle Geräte in einwandfreiem Zustand befinden, bevor sie an den Generator angeschlossen werden. Bei der elektrischen Ausrüstung (einschließlich Kabel- und Steckerverbindungen) darf kein Defekt vorliegen. Wenn ein Gerät abnormal zu arbeiten beginnt, langsam wird oder plötzlich stoppt, muss der Zündschalter des Generators unverzüglich ausgeschaltet werden. Dann das Gerät trennen und die Ursache der Funktionsstörung ausfindig machen.

Wechselstrom-Schaltkreisschutz (Typen G, GP3, GW, GW1, B, F, W, CL)

Die Wechselstrom-Schaltkreisschutzvorrichtungen schalten automatisch ab (AUS, Druckknopf springt heraus), wenn ein Kurzschluss oder eine bedeutsame Überlast beim Generator an einer Steckdose vorliegt.

Wenn ein Wechselstrom-Schaltkreisschutz automatisch abschaltet (AUS), sicherstellen, dass das Gerät richtig funktioniert, und dass die Nennlastkapazität des Schaltkreises nicht überschritten ist, bevor der Wechselstrom-Schaltkreisschutz wieder (durch Hineindrücken des Druckknopfs) eingeschaltet (EIN) wird.



Ausgangsleistungs- und Überlastungsanzeigen

Bei normalen Betriebsbedingungen leuchtet die Ausgangsanzeige (grün) ständig.

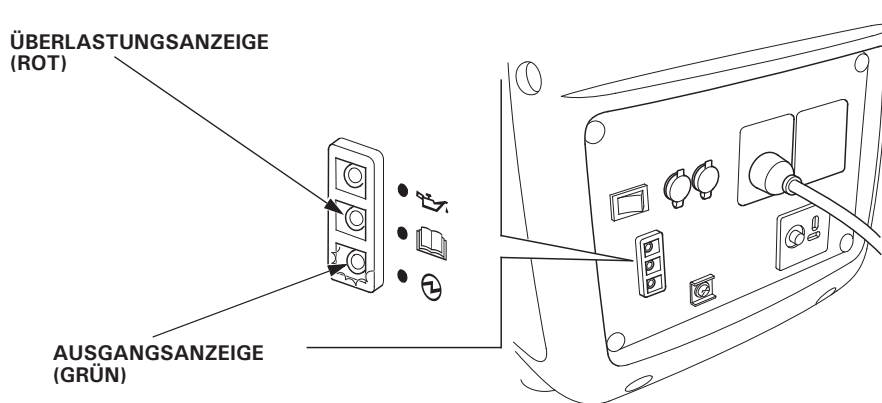
Außerdem verfügt die Ausgangsanzeige über eine vereinfachte Stundenzählerfunktion. Wenn der Motor gestartet wird, blinkt die Anzeige je nach kumulierter Betriebsstundenzahl des Generators wie folgt:

- Kein Blinkzeichen: 0 – 100 Stunden
- 1 Blinkzeichen: 100 – 200 Stunden
- 2 Blinkzeichen: 200 – 300 Stunden
- 3 Blinkzeichen: 300 – 400 Stunden
- 4 Blinkzeichen: 400 – 500 Stunden
- 5 Blinkzeichen: 500 Stunden und darüber

Im Falle einer Überlastung des Generators (siehe Seite 27), oder wenn im angeschlossenen Stromverbraucher ein Kurzschluss auftreten sollte, erlischt die Ausgangsanzeige (grün), die Überlastungsanzeige (rot) leuchtet auf, und die Stromversorgung zum angeschlossenen Gerät wird unterbrochen.

Sollte die Überlastungsanzeige (rot) aufleuchten, muss der Motor gestoppt und die Ursache der Überlastung festgestellt werden.

- Bevor ein Stromverbraucher am Generator angeschlossen wird, sich vergewissern, ob sich das Gerät in einwandfreiem Zustand befindet, und dass die Nennleistung nicht höher als die Nennleistung des Generators liegt. Danach das Netzkabel des Stromverbrauchers anschließen und den Motor anlassen.



HINWEIS:

Wenn ein Elektromotor gestartet wird, können Überlastungsanzeige (rot) und Ausgangsanzeige (grün) gleichzeitig aufleuchten. Dies ist normal, wenn die Überlastungsanzeige (rot) innerhalb von etwa 4 Sekunden ausgeht. Wenn die Überlastungsanzeige (rot) anbleibt, wenden Sie sich bitte an Ihren Honda-Generator-Händler.

Parallelbetrieb

Bevor ein anderes Gerät mit dem Generator verbunden wird, muss der Abschnitt "VERWENDUNG DES GENERATORS" durchgelesen werden.

Zum Anschluss von zwei EU20i-Generatoren für Parallelbetrieb nur eine von Honda genehmigte Anschlussbox für Parallelbetrieb (Option) verwenden.

Sicherstellen, dass der elektrische Nennwert des Werkzeugs oder Geräts den des Generators nicht überschreitet. Die Höchstnennleistung des Generators darf niemals überschritten werden. Leistungsstufen zwischen Nenn- und Höchstleistung dürfen nicht länger als 30 Minuten benutzt werden.

Ein Betrieb mit maximaler Leistung ist auf eine Dauer von 30 Minuten zu begrenzen.

Maximale Leistung bei Parallelbetrieb:

Außer Typ U: 3,6 kVA

Typ U: 4,0 kVA

Bei Dauerbetrieb darf die Nennleistung nicht überschritten werden.

Nennleistung bei Parallelbetrieb: 3,2 kVA

In jedem Fall ist der gesamte Strombedarf (VA) aller angeschlossenen Geräte zu berücksichtigen.

VORSICHT:

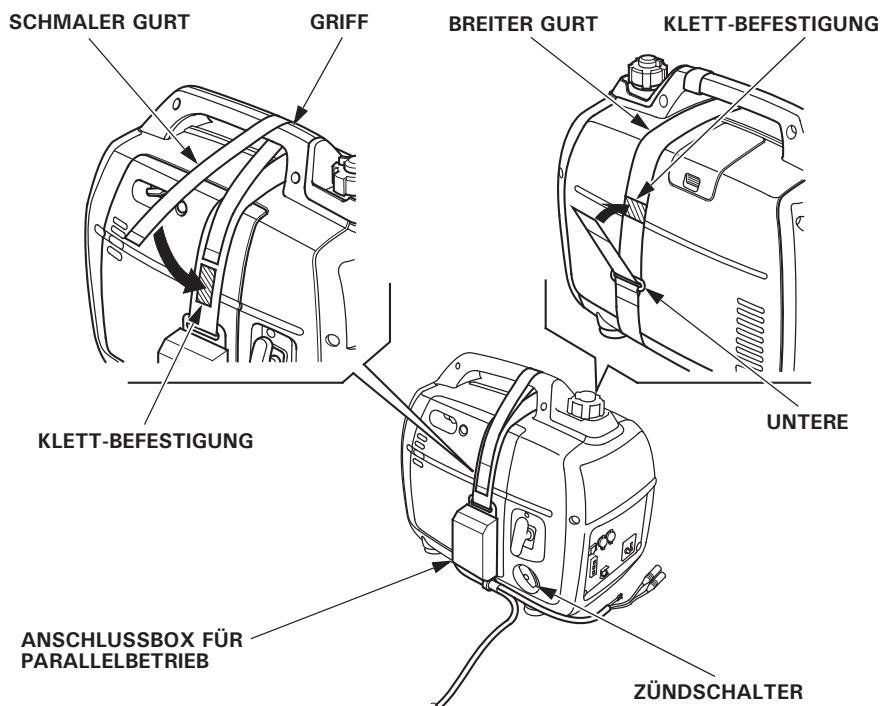
Eine hohe Überlastung, die ständig die Überlastungsanzeige (rot) aufleuchten lässt, kann den Generator beschädigen. Durch eine geringfügigere Überlastung, die ein vorübergehendes Leuchten der Überlastungsanzeige (rot) verursacht, kann die Lebensdauer des Generators verkürzt werden.

▲WARNUNG

- Niemals verschiedene Generatormodelle und -typen miteinander verbinden.
- Niemals ein anderes Kabel als die Anschlussbox für Parallelbetrieb anschließen.
- Die Anschlussbox für Parallelbetrieb bei gestopptem Motor anschließen und trennen.
- Für Einzelbetrieb muss die Anschlussbox für Parallelbetrieb abgetrennt werden.

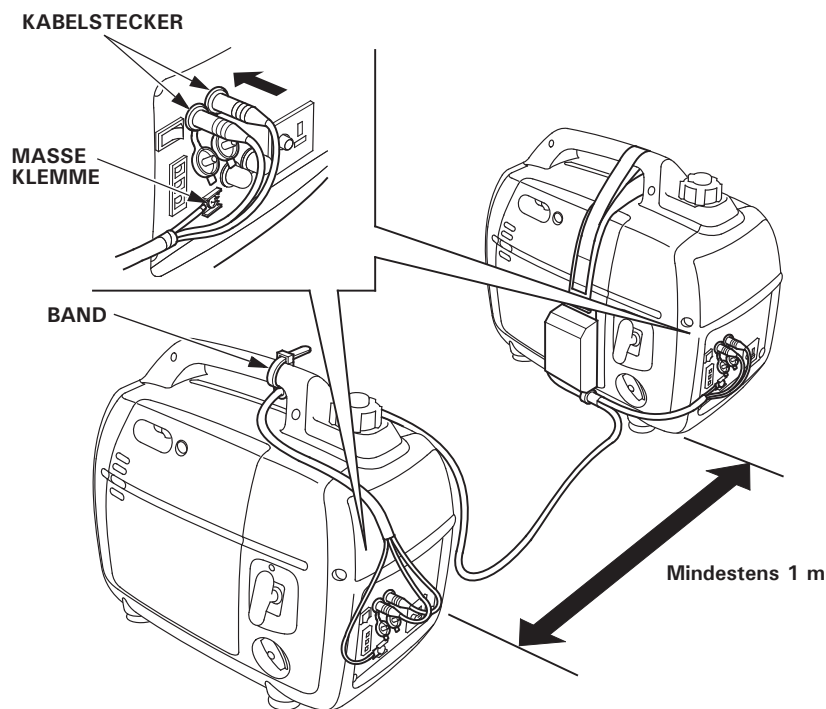
1. Die Anschlussbox für Parallelbetrieb an einen Generator anschließen und wie abgebildet mit dem Halteband sichern.

- Den Gurt an der Vorderseite des Griffs anbringen.
- Den schmalen Gurt mit der Klett-Befestigung am Griff sichern.
- Den oberen breiten Gurt durch den unteren Gurthaken führen und mit der Klett-Befestigung sichern.
- Die Kabel der Anschlussbox unter dem Zündschalter führen.
- Die Gurte so anbringen, dass sie nicht durchhängen.



2. Kabelstecker und Masseklemmen der Anschlussbox für Parallelbetrieb an den Generatoren anschließen, und die Kabelklemme am Griff sichern.

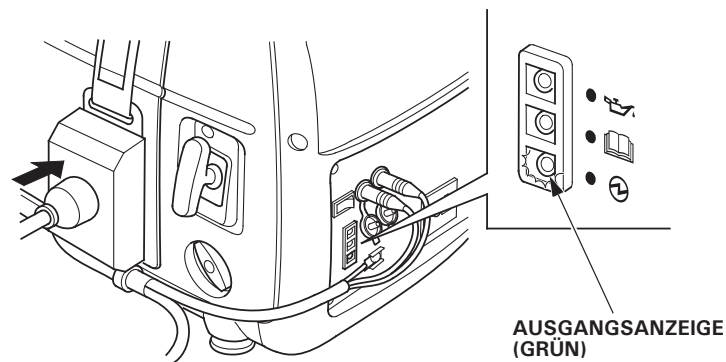
- Während des Parallelbetriebs muss ein Abstand von mindestens 1 Meter zwischen den beiden Generatoren eingehalten werden.
- Das Kabel durch den Griff führen und mithilfe des Bands an diesem festklemmen.
- Darauf achten, dass das Kabel in Richtung Startgriffseite nicht durchhängt.
- Das längere Kabel an dem Generator anschließen, an dem die Anschlussbox für Parallelbetrieb nicht installiert ist.
- Die Generatoren nicht so aufstellen, dass ihre Auslass-Seiten zueinander weisen.



3. Die Masseklemme eines Generators erden.

- Wenn ein Gerät geerdet ist, auch den Generator erden.

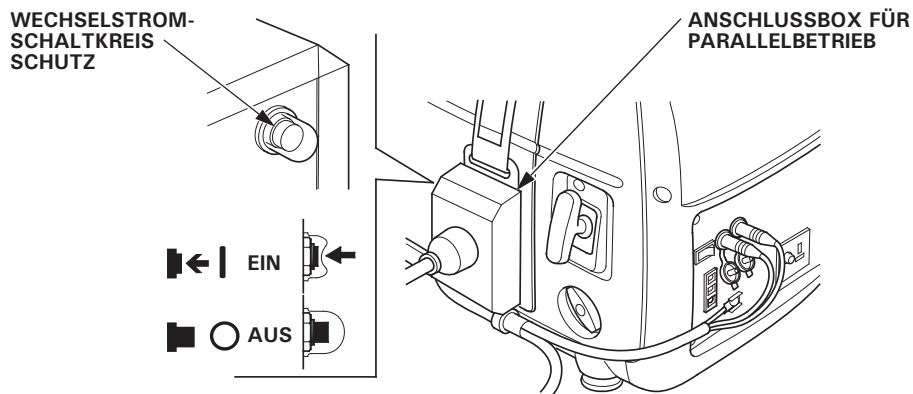
-
4. Die Motoren starten und sicherstellen, dass die Ausgangsanzeigen (grün) aufleuchten.
 5. Sich vergewissern, dass das zu verwendende Gerät ausgeschaltet ist, dann den Stecker des Geräts einstecken.
 6. Die zu verwendende Ausrüstung einschalten.



Wechselstrom-Schaltkreisschutz (außer Typ U)

Der Wechselstrom-Schaltkreisschutz an der Anschlussbox für Parallelbetrieb wird automatisch aktiviert (AUS, Druckknopf springt heraus), wenn ein Kurzschluss oder eine bedeutsame Überlast des Generators an einer Steckdose vorliegt.

Wenn ein Wechselstrom-Schaltkreisschutz automatisch aktiviert wird (abschaltet, AUS), sicherstellen, dass das Gerät richtig funktioniert, und dass die Nennlastkapazität (16 A) des Schaltkreises nicht überschritten ist, bevor der Wechselstrom-Schaltkreisschutz wieder (durch Hineindrücken des Druckknopfs) eingeschaltet (EIN) wird.



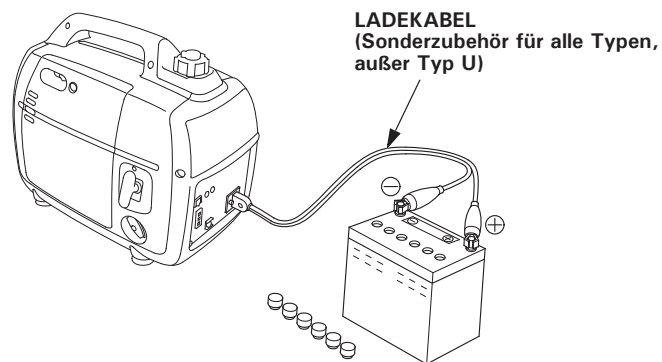
Gleichstromeinsatz

Diese Gleichstrom-Steckdose kann nur zum Laden einer 12 V-Fahrzeugbatterie verwendet werden.

HINWEIS:

Bei Gleichstrombetrieb ist der Eco-Drosselklappenschalter auf AUS zu stellen.

1. Die Ladekabel mit der Gleichstrom-Steckdose des Generators und den Batterieklemmen verbinden.



▲WARNUNG

- Um eine Funkenbildung in der Nähe der Batterie zu verhindern, müssen die Ladekabel zuerst mit dem Generator, dann erst mit der Batterie verbunden werden. Beim Abklemmen zuerst die Kabel an der Batterie lösen.
- Vor Ladekabelanschluss an eine in einem Fahrzeug befindliche Batterie das Fahrzeug-Batteriekabel abklemmen. Nach Ladekabelabtrennung das Fahrzeug-Batteriekabel wieder anschließen. Durch dieses Verfahren werden die Gefahr eines Kurzschlusses und die dabei auftretenden Funken ausgeschlossen (bei unbeabsichtigtem Kontakt einer Batterieklemme und dem Fahrzeugrahmen bzw. der Karosserie).

VORSICHT:

- Nicht versuchen, einen Automotor anzulassen, während der Generator an die Batterie angeschlossen ist. Der Generator kann dadurch beschädigt werden.
- Den positiven Batteriepol mit der positiven Generatorklemme verbinden. Die Ladekabel nicht polaritätsverkehrt anschließen, weil sonst der Generator und/oder die Batterie ernsthaft beschädigt werden kann.

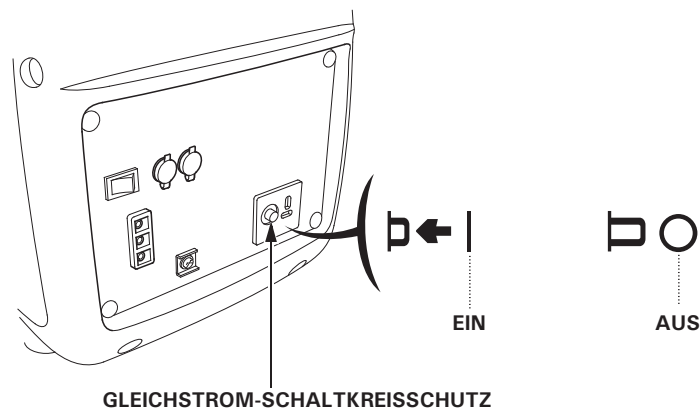
▲WARNUNG

- Batterien erzeugen explosive Gase: bei Entzündung kann eine Explosion ernsthafte Verletzungen einschließlich Erblindungen verursachen. Beim Laden für ausreichende Belüftung sorgen.
- **GEFAHR DURCH CHEMISCHEN STOFF:** Batterieelektrolyt enthält Schwefelsäure. Kontakt mit den Augen oder der Haut, selbst durch Kleidungsstücke hindurch, kann zu ernsthaften Verätzungen führen. Das Tragen von Gesichtsschutz und Schutzkleidung wird empfohlen.
- Offenes Feuer und Funken fernhalten und nicht in Batterienähe rauchen. **GEGENMITTEL:** Wenn Batteriesäure in Ihre Augen gelangt, mit warmem Wasser für wenigstens 15 Minuten ausspülen und danach sofort einen Arzt aufsuchen.
- **GIFT: Batteriesäure ist giftig!**
GEGENMITTEL
 - Äußerlich: Reichlich mit Wasser abspülen.
 - Innerlich: Große Mengen von Wasser oder Milch trinken.
Danach Magnesiamilch oder Pflanzenöl zu sich nehmen und unverzüglich einen Arzt aufsuchen.
- **AUSSERHALB DER REICHWEITE VON KINDERN HALTEN.**

2. Den Motor anlassen.

HINWEIS:

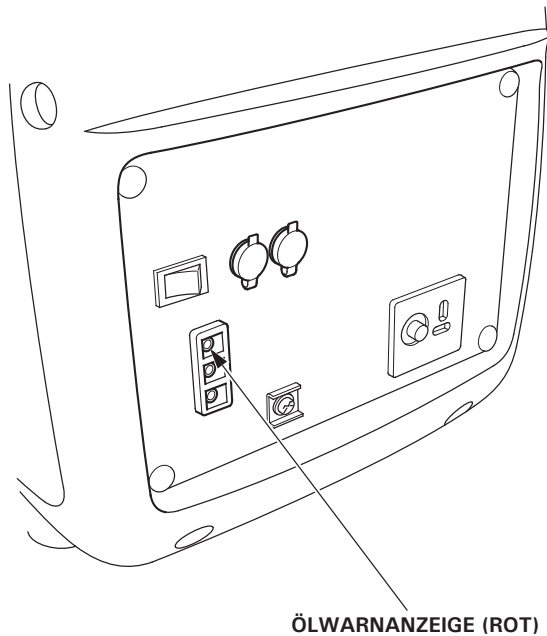
- Die Gleichstrom-Steckdose kann während eines Wechselspannungsbetriebs verwendet werden.
- Wenn der DC-Stromkreis überlastet ist, wird der Gleichstrom-Schaltkreisschutz aktiviert (Drucktaste springt heraus). In diesem Falle einige Minuten lang warten, bevor der Schutzscharter hineingedrückt wird, um den Betrieb fortzusetzen.



Ölwarnsystem

Das Ölwarnsystem verhindert Motorschäden, die durch eine nicht ausreichende Ölmenge im Kurbelgehäuse entstehen können. Bevor der Ölstand im Kurbelgehäuse auf einen nicht mehr ausreichenden Pegel abfällt, wird der Motor durch das Ölwarnsystem automatisch abgestellt (der Zündschalter verbleibt allerdings auf der EIN-Position).

Wenn der Motor durch das Ölwarnsystem abgestellt wird, geht die Ölwarnanzeige (rot) beim Betätigen des Starters an, und der Motor läuft nicht. In diesem Fall ist der Motorölstand zu kontrollieren (siehe Seite 17).

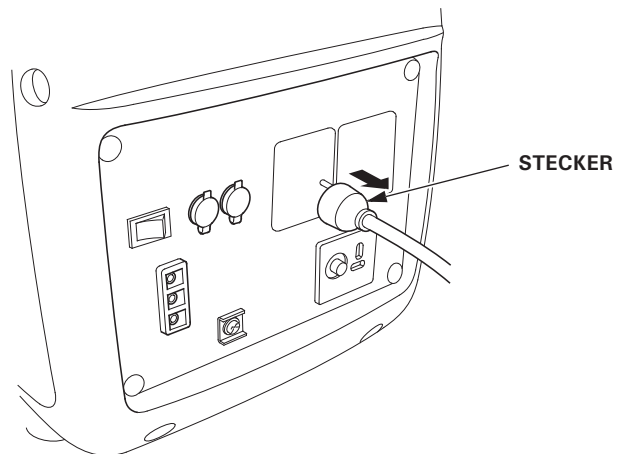


7. ABSTELLEN DES MOTORS

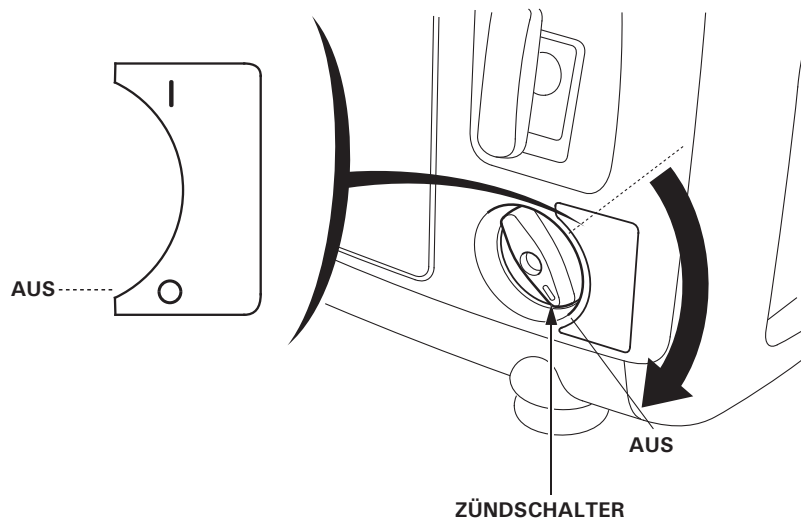
Um den Motor in einer Notsituation abzustellen, den Zündschalter auf die AUS-Position drehen.

BEI NORMALEM BETRIEB:

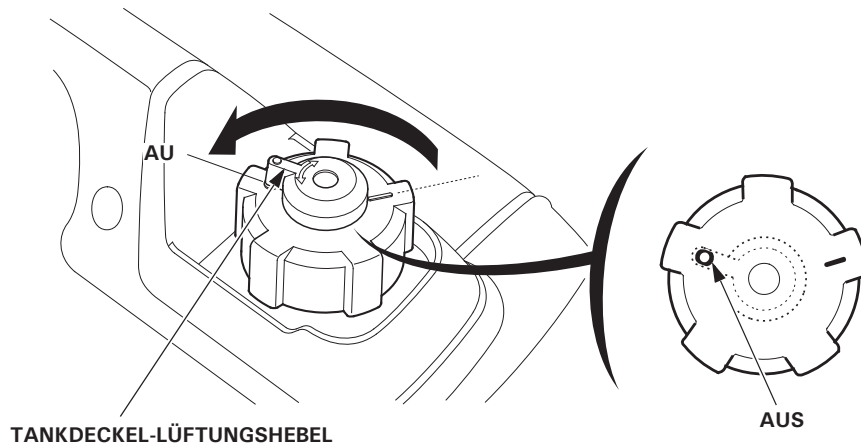
1. Das angeschlossene Gerät ausschalten und den Stecker abziehen.



2. Den Zündschalter auf die AUS-Position stellen.



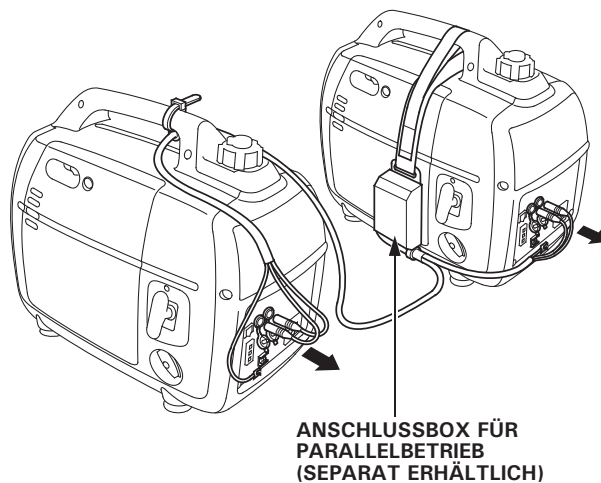
3. Den Tankdeckel-Lüftungshebel im Gegenuhrzeigersinn ganz auf AUS zurückdrehen.



VORSICHT:

Sicherstellen, dass bei Stopp, Transport und/oder Einlagerung des Generators der Tankdeckel-Lüftungshebel und der Zündschalter auf AUS stehen.

4. Falls Parallelbetrieb ausgeführt wurde, muss die Anschlussbox für Parallelbetrieb abgezogen werden.



8. WARTUNG

Zweck des Wartungs- und Einstellplans ist es, den Generator in bestmöglichem Betriebszustand zu halten.

Überprüfungen oder Wartungsarbeiten sind entsprechend der unten stehenden Tabelle auszuführen.

▲WARNUNG

Bevor mit einer Wartungs- oder Reparaturarbeit begonnen wird, muss der Motor abgestellt sein. Damit können mögliche Gefahren ausgeschaltet werden:

- Kohlenmonoxid-Vergiftung durch Motor-Abgase. Sorgen Sie immer für ausreichende Belüftung, wenn der Motor läuft.
- Verbrennungen durch Berührung heißer Teile. Lassen Sie den Motor und die Auspuffanlage abkühlen, bevor Sie entsprechende Teile anfassen.
- Verletzungen durch Kontakt mit beweglichen Teilen. Lassen Sie den Motor nur dann laufen, wenn Sie dazu angewiesen werden.

Der Auspufftopf wird während des Betriebs sehr heiß und bleibt auch nach dem Abstellen des Motors eine gewisse Zeit lang heiß. Darauf achten, den Auspufftopf in heißem Zustand nicht zu berühren. Vor einer Wartung den Motor abkühlen lassen.

VORSICHT:

Verwenden Sie Original-Honda-Ersatzteile oder Teile gleichwertiger Qualität. Durch den Gebrauch von Ersatzteilen minderwertiger Qualität kann der Generator Schaden nehmen.

Wartungsplan

REGELMÄSSIGES WARTUNGSINTERVALL (1) Wartung bei angegebenem Monat oder Betriebsstundenintervall, je nachdem, was zuerst eintritt.		Bei jedem Einsatz	Erster Monat oder 20 Std.	Alle 3 Monate oder 50 Std.	Alle 6 Monate oder 100 Std.	Alle Jahre oder 200 Std.
Motoröl	Stand prüfen	o				
	Wechseln		o		o	
Luftfilter	Prüfen	o				
	Reinigen			o (2)		
Zündkerze	Prüfen - einstellen				o	
	Austauschen					o
Ventilspiel	Prüfen - einstellen					o (3)
Verbrennungs- kammer	Reinigen	Immer nach 300 Std. (3)				
Kraftstofftank und -filter	Reinigen				o (3)	
Kraftstoffleitung	Prüfen	Alle 2 Jahre (gegebenenfalls austauschen) (3)				

HINWEIS: (1) Bei kommerzieller Nutzung sind die Betriebsstunden zu notieren, um die korrekten Wartungsintervalle einzuhalten.

(2) Unter staubigen Bedingungen ist die Wartung häufiger durchzuführen.

(3) Diese Wartungsarbeiten sollten von Ihrem Wartungshändler ausgeführt werden, es sei denn, Sie verfügen über die richtigen Werkzeuge und Sie sind technisch versiert. Beschreibungen der einzelnen Wartungsverfahren finden Sie im Honda-Werkstatt-Handbuch.

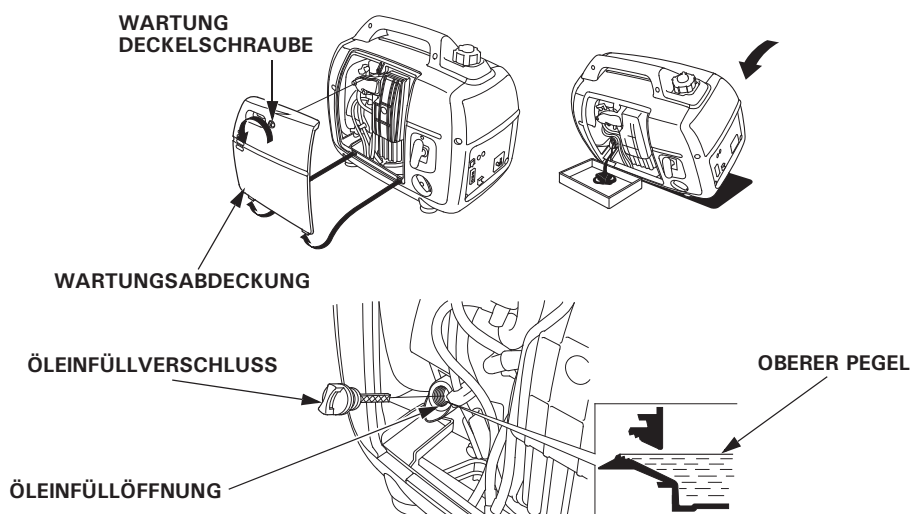
1. ÖLWECHSEL

Das Motoröl bei noch warmem Motor ablassen, um ein schnelles und vollständiges Herauslaufen zu gewährleisten.

VORSICHT:

Vor dem Ablassen unbedingt den Zündschalter und den Tankdeckel-Lüftungshebel auf AUS stellen.

1. Die Wartungsabdeckungsschraube lösen und die Wartungsabdeckung abnehmen.
2. Den Öleinfüllverschluss entfernen.
3. Verschmutztes Öl vollständig in einen geeigneten Behälter ablaufen lassen.
4. Das empfohlene Motoröl einfüllen (siehe Seite 16), dann den Motorölstand überprüfen.
5. Verschüttetes Öl vollständig vom Generator abwischen.
6. Die Wartungsabdeckung wieder anbringen und die Abdeckungsschraube gut festziehen.



Nach dem Kontakt mit Altöl die Hände gründlich mit Wasser und Seife reinigen.

HINWEIS:

Bei der Beseitigung des Altöls bitte die entsprechenden Umweltschutzbestimmungen beachten. Wir empfehlen, dass Sie das Altöl zu Ihrer örtlichen Tankstelle bringen. Das gebrauchte Motoröl nicht in den Abfall werfen oder auf den Boden gießen.

2. WARTUNG DES LUFTFILTERS

Ein verschmutzter Luftfilter behindert den Zufluss von Ansaugluft zum Vergaser. Der Luftfilter muss regelmäßig gewartet werden, um eine Betriebsstörung des Vergasers zu vermeiden. Bei Betrieb in einer sehr staubigen Umgebung den Filter häufiger warten.

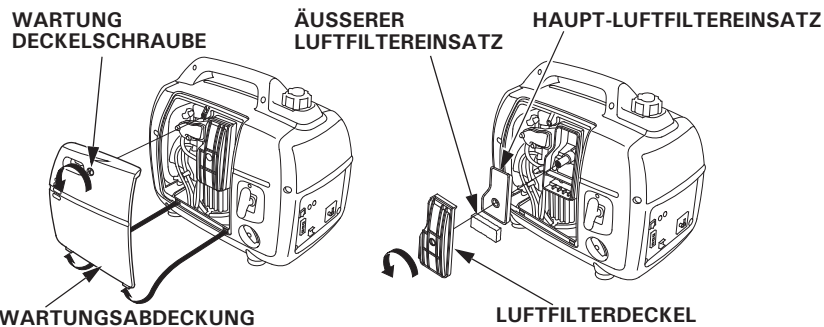
⚠️ WARNUNG

Niemals Benzin oder Reinigungslösungen mit niedrigem Entflammungspunkt zum Reinigen des Luftfiltereinsatzes verwenden. Ein Feuer oder eine Explosion könnte die Folge sein.

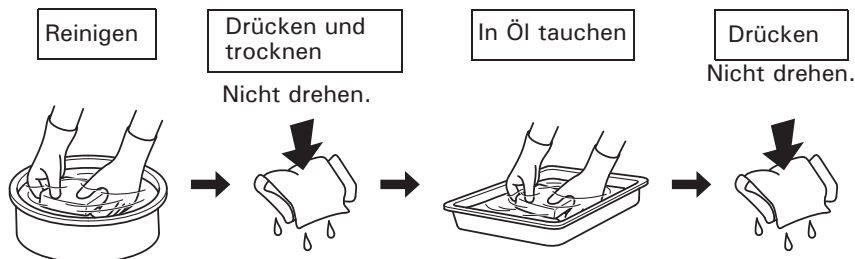
VORSICHT:

Den Generator niemals ohne Luftfilter betreiben. Dies führt zu schnellem Motorverschleiß.

1. Die Wartungsabdeckungsschraube lösen und die Wartungsabdeckung abnehmen.
2. Die Luftfilterdeckelschraube lösen und den Luftfilterdeckel abnehmen.



3. Waschen Sie ihn in warmem Seifenwasser aus, spülen Sie ihn anschließend ab und lassen Sie ihn gründlich trocknen. Oder reinigen Sie ihn in Lösungsmittel mit hohem Flammpunkt und lassen ihn trocknen. Tauchen Sie den Haupt-Einsatz und die beiden äußeren Einsätze in sauberes Motoröl und drücken Sie überschüssiges Öl aus. Wenn zu viel Öl im Schaumstoffeinsatz verbleibt, kommt es beim Starten zu verstärkter Rauchbildung.



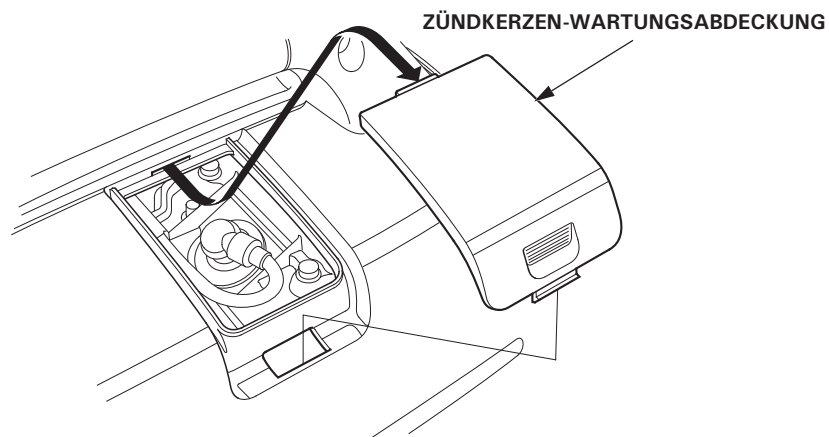
4. Haupt- und Außenluftfiltereinsatz sowie Luftfilterdeckel wieder anbringen. Die Deckelschraube gut anziehen.
5. Die Wartungsabdeckung wieder anbringen und die Abdeckungsschraube gut festziehen.

3. ZÜNDKERZENWARTUNG

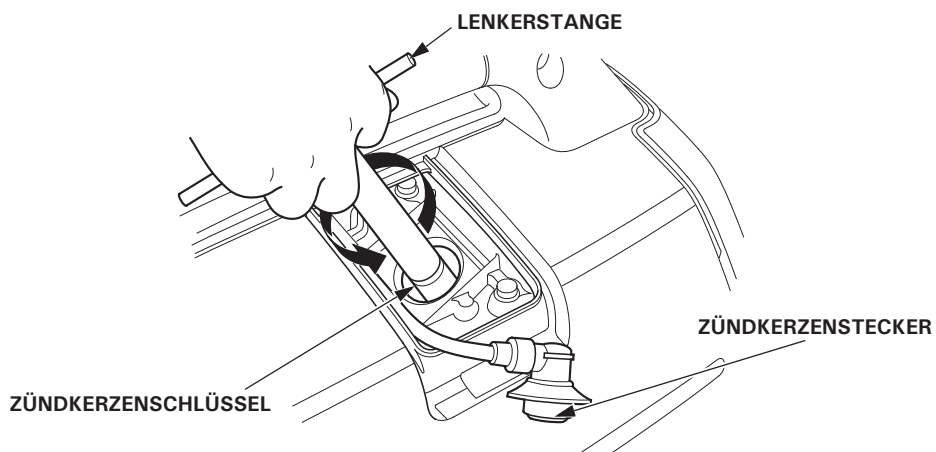
EMPFOHLENE ZÜNDKERZEN: CR5HSB (NGK)

Um einwandfreien Motorbetrieb zu gewährleisten, muss die Zündkerze einen korrekten Elektrodenabstand haben und frei von Verbrennungsrückständen sein.

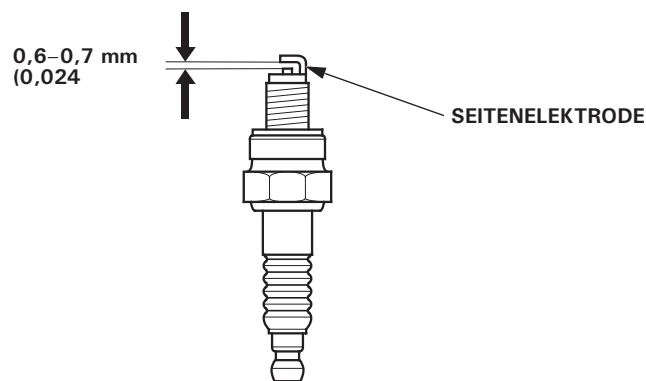
1. Die Wartungsabdeckung der Zündkerze entfernen.



2. Den Zündkerzenstecker entfernen.
3. Die Zündkerzenbasis von jeglichem Schmutz befreien.
4. Die Zündkerze mit einem Zündkerzenschlüssel losdrehen.



-
5. Die Zündkerze einer Sichtprüfung unterziehen. Entsorgen, wenn der Isolator Risse oder Absplitterungen aufweist bzw. sonst beschädigt ist. Wenn die Zündkerze wieder verwendet werden soll, sie mit einer Drahtbürste reinigen.
 6. Den Elektrodenabstand mit einer Fühlerlehre messen.
Durch Biegen der Seitenelektrode den korrekten Abstand herstellen.
Erforderlicher Elektrodenabstand:
0,6 – 0,7 mm



7. Schrauben Sie die Zündkerze von Hand ein, um eine Gewindeüberschneidung zu vermeiden.
8. Nachdem die neue Zündkerze handfest angezogen wurde, ist diese mit einem Zündkerzenschlüssel um eine weitere 1/2 Drehung festzuziehen, damit die Dichtscheibe zusammengedrückt wird. Wenn eine gebrauchte Zündkerze wieder verwendet wird, so ist diese nach dem Aufsitzen nur um eine weitere 1/8 bis 1/4 Drehung nachzuziehen.
9. Den Zündkerzenstecker wieder fest auf die Zündkerze aufschieben.
10. Die Wartungsabdeckung der Zündkerze wieder anbringen.

VORSICHT:

- Die Zündkerze muss sicher angezogen werden. Eine nicht richtig angezogene Zündkerze kann sehr heiß werden und möglicherweise den Generator beschädigen.
- Niemals eine Zündkerze mit einem anderen Wärmewert verwenden.

9. TRANSPORT/LAGERUNG

Um ein Verschütten von Kraftstoff beim Transportieren oder zeitweisen Verstauen des Generators zu vermeiden, muss dieser aufrecht in normaler Betriebsposition bei auf AUS stehendem Zündschalter gesichert werden. Der Tankdeckel-Lüftungshebel wurde im Gegenuhrzeigersinn ganz auf AUS gedreht.

Den Motor gut abkühlen lassen, bevor der Tankdeckel-Lüftungshebel auf AUS gedreht wird.

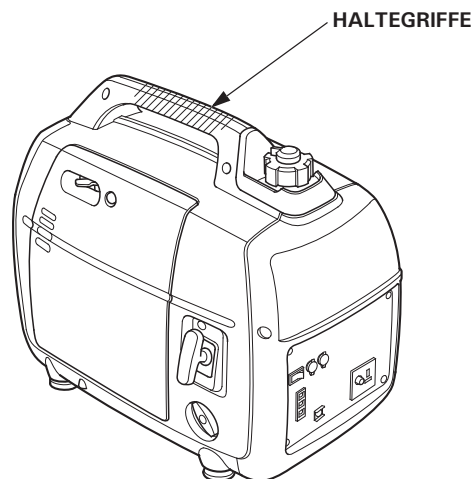
▲WARNUNG

Hinweise zum Transport des Generators:

- Darauf achten, dass der Kraftstofftank nicht überfüllt wird (es darf sich kein Kraftstoff im Einfüllstutzen befinden).
- Der Generator darf nicht betrieben werden, wenn er sich auf einem Fahrzeug befindet. Für den Einsatz muss der Generator abgeladen und in einer gut belüfteten Umgebung aufgestellt werden.
- Wenn der Generator in einem Fahrzeug verstaut wird, darf dieses nicht in der prallen Sonne stehen gelassen werden. Wenn der Generator längere Zeit in einem geschlossenen Fahrzeug verbleibt, kann die Temperatur so hoch ansteigen, dass der Kraftstoff verdunstet und eine Explosion verursacht.
- Den Generator nicht für längere Zeit über schlechte Wegstrecken transportieren. Wenn ein Transport auf unebenen Straßen unvermeidlich ist, muss vorher der Kraftstoff abgelassen werden.

HINWEIS:

Den Generator zum Transportieren am Halteteil anfassen (schraffierte Bereiche in der Abbildung unten).



Vor einer Langzeitlagerung:

1. Sich vergewissern, dass der für die Lagerung vorgesehene Ort trocken und staubfrei ist.
2. Den Kraftstoff ablassen.

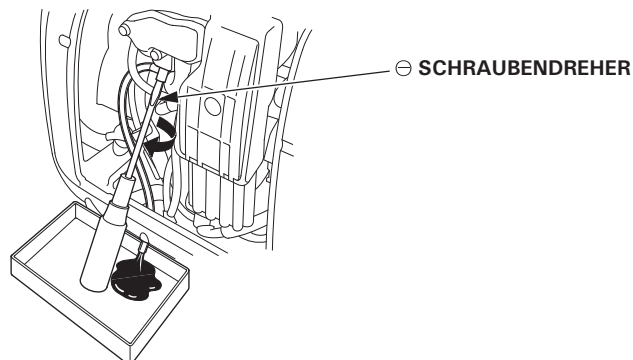
▲WARNUNG

Benzin ist äußerst feuergefährlich und unter gewissen Bedingungen explosiv. Diese Arbeiten müssen in einem gut belüfteten Raum sowie bei abgestelltem Motor erfolgen. Während dieser Arbeiten nicht rauchen; offene Flammen und Funken sind fernzuhalten.

- a. Den Kraftstoffeinfüllverschluss abschrauben und den Kraftstoff-Filter abnehmen.
- b. Benzin vom Kraftstofftank vollständig in einen für Benzin zugelassenen Behälter ablassen. Wir empfehlen, eine im Handel erhältliche Benzin-Handpumpe zu verwenden. Vom Gebrauch einer Elektropumpe wird abgeraten.

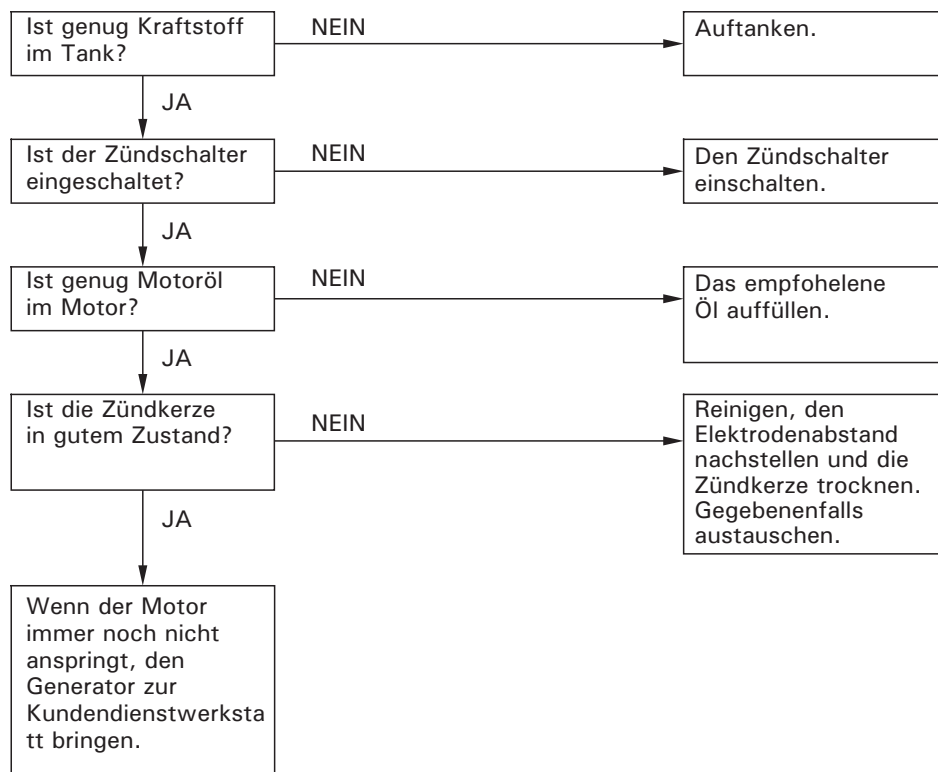


- c. Den Zündschalter auf EIN stellen und die Vergaser-Abluss-Schraube losdrehen, um den Kraftstoff aus dem Vergaser in einen geeigneten Behälter ablaufen zu lassen.
- d. Bei gelöster Abluss-Schraube den Zündkerzenstecker abziehen, dann den Startergriff 3- bis 4-mal ziehen, um den Kraftstoff aus der Kraftstoffpumpe herauszudrücken.
- e. Den Zündschalter auf die AUS-Position stellen, dann die Abluss-Schraube wieder gut festziehen.
- f. Den Zündkerzenstecker wieder fest auf die Zündkerze aufschieben.

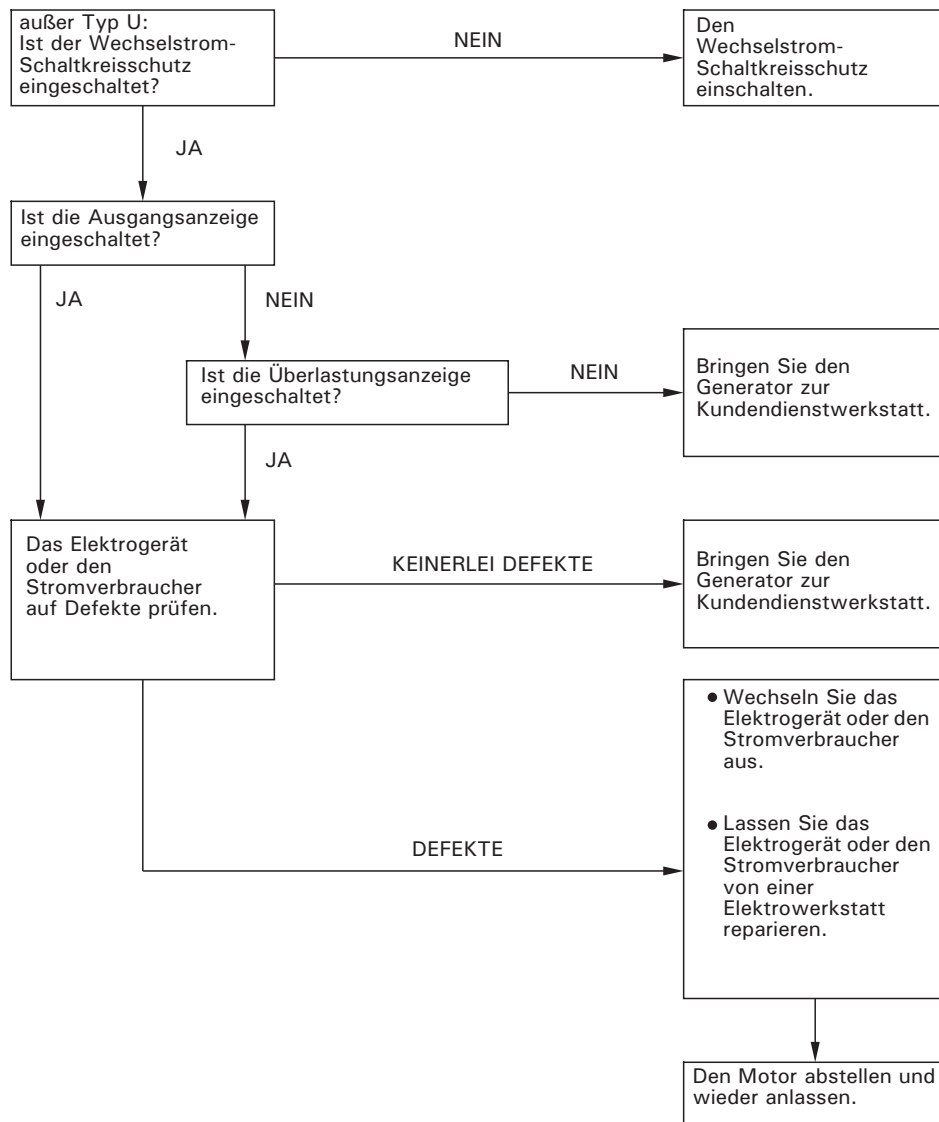


10. FEHLERSUCHE

Wenn der Motor nicht anspringt:



Das Gerät funktioniert nicht:



Keine Spannung an der Gleichstromsteckdose:



11. TECHNISCHE DATEN

Abmessungen und Gewichte

Modell	EU20i	
Typ	G, GP3, GW, B, F, W, CL, U	GW1
Beschreibungscode	EAAJ	
Länge	512 mm	521 mm
Breite	290 mm	
Höhe	425 mm	
Trockenmasse	20,7 kg	

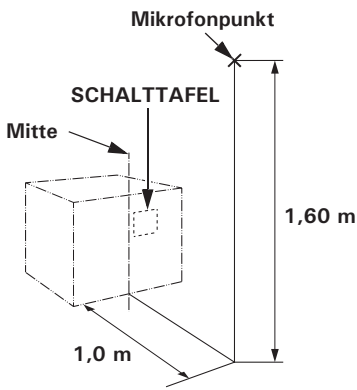
Motor

Modell	GX100
Motor	4-Takt, OHV, Einzyylinder
Hubraum	98,5 cm ³
Bohrung × Hub	56,0 × 40,0 mm
Verdichtungsverhältnis	8,5:1
Motordrehzahl	3.000-5.000 U/min 4.300–5.000 U/min (bei ausgeschalteter Eco-Drosselklappe)
Kühlsystem	gebläsegekühlt
Zündung	Volltransistor
Ölfüllmenge	0,4 l
Kraftstofftankinhalt	3,6 l
Zündkerze	CR5HSB (NGK)

Generator

Modell	EU20i		
Typ	G, GP3, GW, GW1, B, F, W, CL	U	
AC Ausgang	Nennspannung (V)	230	240
	Nennfrequenz (Hz)	50	
	Nennstärke (A)	7,0	6,7
	Nennleistung (kVA)	1,6	
	Max. Leistung (kVA)	2,0	
Nennleistung Gleichstrom	Nur für 12 V Autobatterien. 12 V, 8 A		

Geräusch

Modell	EU20i	
Typ	G, GP3, GW, GW1, B, F, W, CL	U
Schall-Leistungspegel am Arbeitsbereich (2006/42/EC)	71 dB (A)	-
		
Abweichung	2 dB (A)	-
Gemessener Geräuschpegel (2000/14/EC, 2005/88/EC)	87 dB (A)	-
Abweichung	2 dB (A)	-
Garantierter Geräuschpegel (2000/14/EC, 2005/88/EC)	89 dB (A)	-

“Bei den angegebenen Werten handelt es sich um Emissionspegel, die nicht unbedingt als sichere Arbeitspegel zu betrachten sind. Obwohl eine Korrelation zwischen Emissions- und Expositionspegeln besteht, kann auf dieser Grundlage keine zuverlässige Entscheidung darüber getroffen werden, ob weitere Vorsichtsmaßnahmen erforderlich sind oder nicht. Faktoren, die den tatsächlichen Expositionspegel der Arbeitskraft beeinflussen, umfassen die Eigenschaften des Arbeitsraums und andere Geräuschquellen, wie z. B. durch die Anzahl der Maschinen und andere in der Nähe ablaufende Prozesse bedingt, sowie die Zeitdauer, während der eine Bedienungsperson dem Geräusch ausgesetzt ist. Der zulässige Expositionspegel kann auch von Land zu Land verschieden sein. Diese Informationen ermöglichen es dem Benutzer der Maschine jedoch, die vorliegenden Gefahren und Risiken besser einzuschätzen.”

HINWEIS:

Die technischen Daten können ohne vorherige Ankündigung geändert werden.




12. SCHALTPLAN

INDEX

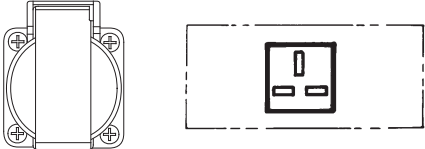
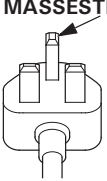
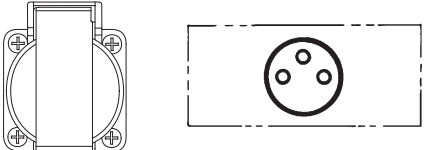
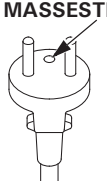
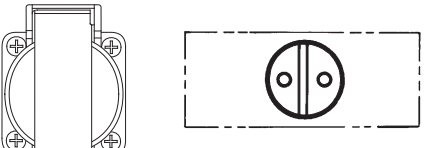
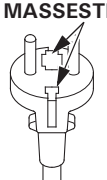
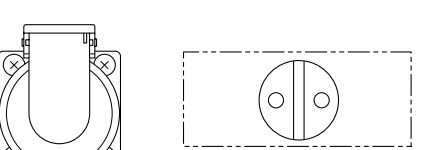
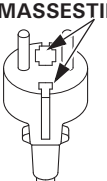

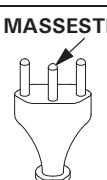
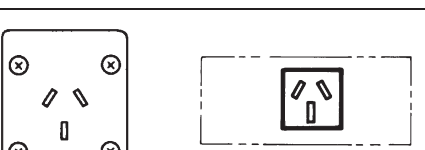
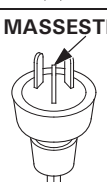
(siehe Innenseite der hinteren Abdeckung)

Typen G, GP3, GW, GW1, B, F, W, CL	W-1
Typ U	W-2

ABKÜRZUNGEN

Symbol	Teilename	Symbol	Teilename																
AC, CP	Wechselstrom-Schaltkreisschutz	StpM	Schrittmotor (Drosselklappensteuerung)																
ACOR	Wechselstrom- Ausgangssteckdose	SW	Nebenwicklung																
(B)	Typ B	To Ge	Zum Generator																
Cot	Steckdose für Parallelbetrieb	(W)	Typ W																
CPB	Schalttafelblock	KABELFARBENCODE																	
DC CP	Gleichstrom-Schaltkreisschutz	Bl	SCHWARZ																
DC, D	Gleichstrom-Diode	Y	GELB																
DC, NF	Gleichstrom-Geräuschfilter	Bu	BLAU																
DCOR	Gleichstrom-Ausgangssteckdose	G	GRÜN																
DC, W	Gleichstromwicklung	R	ROT																
EcoSw	Eco-Drosselklappenschalter	W	WEISS																
EgB	Motorblock	Br	BRAUN																
EgG	Motormasse	Lg	HELLGRÜN																
ESw	Zündschalter	Gr	GRAU																
ExW	Erregerwicklung	Sb	HIMMELBLAU																
FrB	Rahmenblock	O	ORANGE																
FrG	Rahmenmasse	P	ROSA																
(F)	Typ F	SCHALTERANSCHLÜSSE																	
(G)	Typen G, GW, GW1, GP3, CL	ECO-DROSSELKLAPPENSCHALTER																	
GeB	Generatorblock	<table border="1"> <thead> <tr> <th></th> <th></th> <th>COM (-)</th> <th>SW</th> </tr> </thead> <tbody> <tr> <td>EIN</td> <td></td> <td></td> <td></td> </tr> <tr> <td></td> <td></td> <td></td> <td></td> </tr> <tr> <td>AU</td> <td></td> <td></td> <td></td> </tr> </tbody> </table>				COM (-)	SW	EIN								AU			
		COM (-)	SW																
EIN																			
																			
AU																			
GT	Masseklemme																		
IgC	Zündspule																		
IU	Wandler																		
MW	Hauptwicklung																		
OAL	Ölwarnanzeige																		
OI	Überlastungsanzeige																		
OLSw	Ölstandschalter																		
PC	Impulsspule																		
PL	Ausgangsanzeige																		
RBx	Anschlussbox für Parallelbetrieb																		
SP	Zündkerze																		
SpU	Zündkerzeneinheit																		

STECKDOSE

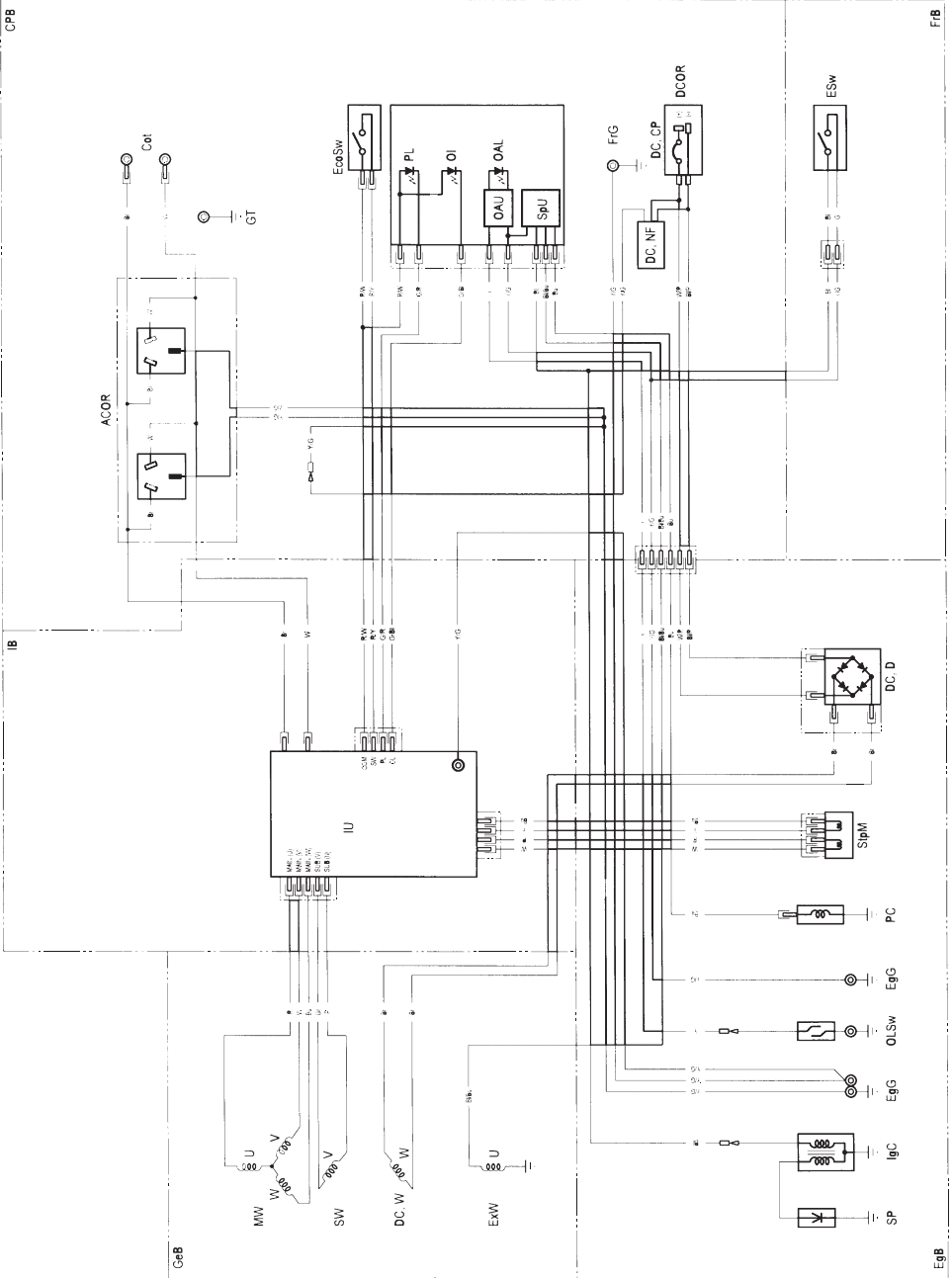
Typ	Form	Stopfen
B		
F		
G, GP3, GW, CL		
GW1		
W		
U		

WIRING DIAGRAM

SCHÉMA DE CABLAGE

SCHALTPLAN

DIAGRAMA DE CONEXIONES



MAJOR Honda DISTRIBUTOR ADDRESSES

For further information, please contact Honda Customer Information Centre at the following address or telephone number:

ADRESSES DES PRINCIPAUX DISTRIBUTEURS Honda

Pour plus d'informations, s'adresser au Centre d'informations clients Honda à l'adresse ou numéro de téléphone suivants:

ADRESSEN DER HAUPT-Honda-VERTEILER

Weitere Informationen erhalten Sie gerne vom Honda-Kundeninformationszentrum unter der folgenden Adresse oder Telefonnummer:

DIRECCIONES DE LOS PRINCIPALES CONCESIONARIOS Honda

Para obtener más información, póngase en contacto con el Centro de información para clientes Honda en la dirección o número de teléfono siguientes:

AUSTRIA

Honda Austria GmbH

Hondastraße 1

2351 Wiener Neudorf

Tel. : +43 (0)2236 690 0

Fax : +43 (0)2236 690 480

<http://www.honda.at>

✉ HondaPP@honda.co.at

BALTIC STATES (Estonia/Latvia/ Lithuania)

Honda Motor Europe Ltd.

Estonian Branch

Tulika 15/17

10613 Tallinn

Tel. : +372 6801 300

Fax : +372 6801 301

✉ honda.baltic@honda-eu.com.

BELGIUM

Honda Belgium

Doornveld 180-184

1731 Zellik

Tel. : +32 2620 10 00

Fax : +32 2620 10 01

<http://www.honda.be>

✉ BH_PE@HONDA-EU.COM

BULGARIA

Kirov Ltd.

49 Tsaritsa Yoana blvd

1324 Sofia

Tel. : +359 2 93 30 892

Fax : +359 2 93 30 814

<http://www.kirov.net>

✉ honda@kirov.net

CROATIA

Hongoldonia d.o.o.

Vrbaska 1c

31000 Osijek

Tel. : +38531320420

Fax : +38531320429

<http://www.hongoldonia.hr>

✉ prodaja@hongoldonia.hr

CYPRUS

**Alexander Dimitriou & Sons
Ltd.**

162, Yiannos Kranidiotis

Avenue

2235 Latsia, Nicosia

Tel. : +357 22 715 300

Fax : +357 22 715 400

CZECH REPUBLIC

BG Technik cs, a.s.

U Zavodiste 251/8

15900 Prague 5 - Velka

Chuchle

Tel. : +420 2 838 70 850

Fax : +420 2 667 111 45

<http://www.honda-stroje.cz>

DENMARK

Tima Products A/S

Tårnfalkevej 16

2650 Hvidovre

Tel. : +45 36 34 25 50

Fax : +45 36 77 16 30

<http://www.tima.dk>

FINLAND

OY Brandt AB.

Tuupakantie 7B

01740 Vantaa

Tel. : +358 207757200

Fax : +358 9 878 5276

<http://www.brandt.fi>

FRANCE

Honda Relations Clients

TSA 80627

45146 St Jean de la Ruelle Cedex

Tel. : 02 38 81 33 90

Fax : 02 38 81 33 91

<http://www.honda-fr.com>

✉ espaceclient@honda-eu.com

GERMANY

**Honda Deutschland
GmbH**

Sprendlinger Landstraße 166

63069 Offenbach am Main

Tel. : 01 80 5/20 20 90

Fax : +49 69 8320 20

<http://www.honda.de>

✉ info@post.honda.de

GREECE

Saracakis Brothers S.A.

71 Leoforos Athinon

10173 Athens

Tel. : +30 210 3497809

Fax : +30 210 3467329

<http://www.honda.gr>

✉ info@saracakis.gr

HUNGARY

Motor Pedo Co., Ltd.

Kamaraerdei ut 3.

2040 Budaors

Tel. : +36 23 444 971

Fax : +36 23 444 972

<http://www.hondakisgepek.hu>

✉ info@hondakisgepek.hu

ICELAND

Bernhard ehf.

Vatnagarðar 24-26

104 Reykjavík

Tel. : +354 520 1100

Fax : +354 520 1101

<http://www.honda.is>

IRELAND

Two Wheels Ltd

M50 Business Park, Ballymount

Dublin 12

Tel. : +353 1 4381900

Fax : +353 1 4607851

<http://www.hondaireland.ie>

✉ Service@hondaireland.ie

ITALY

Honda Italia Industriale S.p.A.

Via della Cecchignola, 13

00143 Roma

Tel. : +848 846 632

Fax : +39 065 4928 400

<http://www.hondaitalia.com>

✉ info.power@honda-eu.com

MALTA

The Associated Motors

Company Ltd.

New Street in San Gwakklin Road

Mriehel Bypass, Mriehel QRM17

Tel. : +356 21 498 561

Fax : +356 21 480 150

NETHERLANDS

Honda Nederland B.V.

Afd. Power Equipment

Capronilaan 1

1119 NN Schiphol-Rijk

Tel. : +31 20 7070000

Fax : +31 20 7070001

<http://www.honda.nl>

NORWAY

Berema AS

P.O. Box 454

1401 Ski

Tel. : +47 64 86 05 00

Fax : +47 64 86 05 49

<http://www.berema.no>

✉ berema@berema.no

POLAND

Aries Power Equipment Sp. z o.o.

ul. Wroclawska 25

01-493 Warszawa

Tel. : +48 (22) 861 43 01

Fax : +48 (22) 861 43 02

<http://www.ariespower.pl>

<http://www.mojahonda.pl>

✉ info@ariespower.pl

PORTUGAL

Honda Portugal, S.A.

Rua Fontes Pereira de Melo 16

Abrunheira, 2714-506 Sintra

Tel. : +351 21 915 53 33

Fax : +351 21 915 23 54

<http://www.honda.pt>

✉ honda.produtos@honda-eu.com

REPUBLIC OF BELARUS

Scanlink Ltd.

Kozlova Drive, 9

220037 Minsk

Tel. : +375 172 999090

Fax : +375 172 999900

<http://www.hondapower.by>

ROMANIA

Hit Power Motor Srl

str. Vasile Stroescu nr. 12,

Camera 6, Sector 2

021374 Bucuresti

Tel. : +40 21 637 04 58

Fax : +40 21 637 04 78

<http://www.honda.ro>

✉ hit_power@honda.ro

RUSSIA

Honda Motor RUS LLC

1, Pridirizhnaya Street, Sharapovo settlement, Naro-Fominsky district,

Moscow Region, 143350 Russia

Tel. : +7 (495) 745 20-80

Fax : +7 (495) 745 20 81

<http://www.honda.co.ru>

✉ postoffice@honda.co.ru

SERBIA & MONTENEGRO

BPP Group d.o.o.

Generala Horvatovica 68

11000 Belgrade

Tel. : +381 11 3820 295

Fax : +381 11 3820 296

<http://www.hondasrbija.co.rs>

✉ honda@bazis.co.rs

SLOVAK REPUBLIC

Honda Slovakia, spol. s r.o.

Prievozká 6

821 09 Bratislava

Tel. : +421 2 32131112

Fax : +421 2 32131111

<http://www.honda.sk>

SLOVENIA

AS Domzale Moto Center D.O.O.

Blatnica 3A

1236 Trzin

Tel. : +386 1 562 22 62

Fax : +386 1 562 37 05

www.honda-as.com

✉ infomacije@honda-as.com

SPAIN & Las Palmas province

(Canary Islands)

Greens Power Products, S.L.

Poligono Industrial Congost -

Av Ramon Cuirans n°2

08530 La Garriga - Barcelona

Tel. : +34 93 860 50 25

Fax : +34 93 871 81 80

<http://www.hondaencasa.com>

Tenerife province

(Canary Islands)

Automocion Canarias S.A.

Carretera General del Sur, KM. 8,8

38107 Santa Cruz de Tenerife

Tel. : +34 (922) 620 617

Fax : +34 (922) 618 042

<http://www.aucasa.com>

✉ ventas@aucasa.com

✉ taller@aucasa.com

SWEDEN

Honda Nordic AB

Box 31002 - Långhusgatan 4

215 86 Malmö

Tel. : +46 (0)40 600 23 00

Fax : +46 (0)40 600 23 19

<http://www.honda.se>

✉ hpesinfo@honda-eu.com

SWITZERLAND

Honda Suisse S.A.

10, Route des Moulières

1214 Vernier - Genève

Tel. : +41 (0)22 939 09 09

Fax : +41 (0)22 939 09 97

<http://www.honda.ch>

TURKEY

Anadolu Motor Uretim ve

Pazarlama AS

Esentepe mah. Anadolu

cad. No: 5

Kartal 34870 Istanbul

Tel. : +90 216 389 59 60

Fax : +90 216 353 31 98

<http://www.anadolumotor.com.tr>

✉ antor@antor.com.tr

UKRAINE

Honda Ukraine LLC

101 Volodymyrska Str. - Build. 2

Kyiv 01033

Tel. : +380 44 390 14 14

Fax : +380 44 390 14 10

<http://www.honda.ua>

✉ CR@honda.ua

UNITED KINGDOM

Honda (UK) Power Equipment

470 London Road

Slough - Berkshire, SL3 8QY

Tel. : +44 (0)845 200 8000

<http://www.honda.co.uk>

AUSTRALIA

Honda Australia Motorcycle and Power Equipment Pty. Ltd

1954-1956 Hume Highway

Campbellfield Victoria 3061

Tel. : (03) 9270 1111

Fax : (03) 9270 1133

"EC Declaration of Conformity" CONTENT OUTLINE
"CE-Déclaration de conformité" DESCRIPTION DE TABLE DES MATIERES
"EU-Konformitätserklärung" INHALTSÜBERSICHT
DESCRIPCIÓN GENERAL DEL CONTENIDO DE LA "Declaración de Conformidad CE"
DESCRIZIONE DEL CONTENUTO DELLA "Dichiarazione CE di Conformità"

EC Declaration of Conformity

1. The undersigned, Piet Renneboog, on behalf of the authorized representative, herewith declares that the machinery described below fulfils all the relevant provisions of:

- Directive 2006/42/EC on machinery
- Directive 2004/108/EC on electromagnetic compatibility
- Directive 2000/14/EC – 2005/88/EC on outdoor noise

2. Description of the machinery

- a) Generic denomination: Generating sets
 b) Function: producing electrical power

c) Commercial name	d) Type	e) Serial number
*1	*1	

3. Manufacturer

Honda Motor Co., Ltd.
 2-1-1 Minamiaoyama
 Minato-ku, Tokyo, JAPAN

4. Authorized representative

Honda Motor Europe Ltd. Aalst Office
 Wijngaardveld 1 (Noord V),
 9300 Aalst – BELGIUM

5. References to harmonized standards	6. Other standards or specifications
EN 12601:2010	-

7. Outdoor noise Directive

- a) Measured sound power dB(A): *1
 b) Guaranteed sound power dB(A): *1
 c) Noise parameter: *1
 d) Conformity assessment procedure: ANNEX VI
 e) Notified body: AIB-VINCOTTE International nv
 Jan Olieslagerslaan 35
 B-1800 Vilvoorde BELGIUM
 Aalst , BELGIUM

8. Done at:

9. Date:

 Piet Renneboog
 Homologation Manager
 Honda Motor Europe, Ltd., Aalst Office

*1: see specification page.

*1: voir page de spécifications

*1: Siehe Spezifikationen-Seite

*1: consulte la página de las especificaciones

*1: vedi la pagina delle caratteristiche tecniche

<p>Français (French) Déclaration CE de Conformité 1. Le sous signé, Piet Renneboog, de la part du représentant autorisé, déclare que la machine décrit ci-dessous répond à toutes les dispositions applicables de * Directive Machine 2006/42/CE * Directive 2004/108/CE sur la compatibilité électromagnétique * Directive 2000/14/CE - 2005/88/CE des émissions sonores dans l'environnement des matériels destinés à être utilisé à l'extérieur des bâtiments 2. Description de la machine a) Denomination générique : Générateur b) Fonction : produire du courant électrique c) Nom Commercial d) Type e) Numéro de série 3. Constructeur 4. Représentant autorisé 5. Référence aux normes harmonisées 6. Autres normes et spécifications 7. Directives des émissions sonores dans l'environnement des matériels destinés à être utilisé à l'extérieur des bâtiments a) Puissance acoustique mesurée b) Puissance acoustique garantie c) Paramètre du bruit d) Procédure d'évaluation de conformité e) Organisme notifié 8. Fait à 9. Date</p>	<p>Italiano (Italian) Dichiarazione CE di Conformità 1. Il sottoscritto, Piet Renneboog, in qualità di rappresentante autorizzato, dichiara qui di seguito che la macchina sotto descritta soddisfa tutte le disposizioni pertinenti delle: * Direttiva macchine 2006/42/CE * Direttiva sulla compatibilità elettromagnetica 2004/108/CE * Direttiva sulla emissione acustica delle macchine e attrezzature destinate a funzionare all'aperto 2000/14/CE - 2005/88/CE 2. Descrizione della macchina a) Denominazione generica : Generatore b) Funzione : Produzione di energia elettrica c) Denominazione commerciale d) Tipo e) Numero di serie 3. Costruttore 4. Rappresentante Autorizzato 5. Riferimento agli standard armonizzati 6. Altri standard o specifiche 7. Direttiva sulla emissione acustica delle macchine e attrezzature destinate a funzionare all'aperto a) Livello di potenza sonora misurato b) Livello di potenza sonora garantito c) Parametri emissione acustica d) Procedura di valutazione della conformità e) Organismo notificato 8. Fatto a 9. Data</p>	<p>Deutsch (German) EG-Konformitätserklärung 1. Der Unterzeichner, Piet Renneboog erklärt hiermit im Namen der Bevollmächtigten, dass das hierunter genannte Maschine allen einschlägigen Bestimmungen der * entspricht. * Maschinenrichtlinie 2006/42/EG * Richtlinie der Elektromagnetischen Kompatibilität 2004/108/EG * Geräuschrichtlinie im Freien 2000/14EG - 2005/88/EG 2. Beschreibung der Maschine a) Allgemeine Bezeichnung : Stromerzeuger b) Funktion : Strom produzieren c) Handelsbezeichnung d) Typ e) Seriennummer 3. Hersteller 4. Bevollmächtigter 5. Verweis auf harmonisierte Normen 6. Andere Normen oder Spezifikationen 7. Geräuschrichtlinie im Freien a) gemessene Lautstärke b) Schalleistungspegel c) Geräuschvorgabe d) Konformitätsbewertungs Ablauf e) Benannte Stelle 8. Ort 9. Datum</p>
<p>Nederlands (Dutch) EG-verklaring van overeenstemming 1. Ondergetekende, Piet Renneboog, in naam van de gemachtigde van de fabrikant, verklaart hiermee dat het hieronder beschreven machine voldoet aan alle toepasselijke bepalingen van : * Richtlijn 2006/42/EG betreffende machines * Richtlijn 2004/108/EG betreffende elektromagnetische overeenstemming * Richtlijn 2000/14/EG - 2005/88/EG betreffende geluidsemissie (openlucht) 2. Beschrijving van de machine a) Algemene benaming : Generator b) Functie : elektriciteit produceren c) Handelsbenaming d) Type e) Serienummer 3. Fabrikant 4. Gemachtigde van de fabrikant 5. Refereert naar geharmoniseerde normen 6. Andere normen of specificaties 7. Geluidsemissierichtlijn (openlucht) a) Gemeten geluidsvormogenniveau b) Gewaarborgd geluidsvormogenniveau c) Geluidspanometer d) Conformiteitsbeoordelingsprocedure e) Aangemelde instantie 8. Plaats 9. Datum</p>	<p>Dansk (Danish) EF OVERENSTEMMELSEERKLÆRING 1. UNDERTEGNEDE, PIET RENNEBOOG, PÅ VEGNE AF DEN AUTORISEREDE REPRÆSENTANT, ERKLÆRER HERMED AT MASKINEN, SOM ER BESKREVET NEDENFOR, OPFYLDER ALLE RELEVANTE BESTEMMELSER IFØLGE: * MASKINDIREKTIV 2006/42/EF * EMC-DIREKTIV 2004/108/EF * DIREKTIV OM STØJEMMISSION 2000/14/EF - 2005/88/EF 2. BESKRIVELSE AF PRODUKTET a) FÆLLESBETEGNELSE : Generator b) ANVENDELSE : Produktion af elektricitet c) HANDELSBETEGNELSE d) TYPE e) SERIENUMMER 3. PRODUCENT 4. AUTORISERET REPRÆSENTANT 5. REFERENCE TIL HARMONISEREDE STANDARDER 6. ANDRE STANDARDER ELLER SPECIFIKATIONER 7. DIREKTIV OM STØJEMMISSION FRA MASKINER TIL UDENDØRS BRUG a) MÅLT LYEFFEKTNIVEAU b) GARANTERET LYEFFEKTNIVEAU c) STØJPARAMETER d) PROCEDURE FOR OVERENSTEMMELSESVURDERING e) BEMYNDIGET ORGAN 8. STED 9. DATO</p>	<p>Ελληνικά (Greek) ΕΚ-Δήλωση συμμόρφωσης 1. Ο κάτωθι υπογεγραμμένος „Piet Renneboog, εκ μέρους του εξουσιοδοτημένου αντιπροσώπου με το παρόν δηλώνω ότι το παρακάτω περιγραφόμενο όχημα πληροί όλες τις σχετικές προδιαγραφές του: * Οδηγία 2006/42/ΕΚ για μηχανές * Οδηγία 2004/108/ΕΚ για την ηλεκτρομαγνητική συμβατότητα * Οδηγία 2000/14/ΕΚ - 2005/88/ΕΚ για το επίπεδο θορύβου σε εξωτερικούς χώρους. 2. Περιγραφή μηχανήματος a) Γενική ονομασία : Ηλεκτοπαραγωγό ζεύγος b) Λειτουργία : για παραγωγή ηλεκτρικής ενέργειας c) Εμπορική ονομασία d) Τύπος e) Αριθμός σειράς παραγωγής 3. Κατασκευαστής 4. Εξουσιοδοτημένος αντιπρόσωπος 5. Αναφορά σε εναρμονισμένα πρότυπα 6. Λοιπά πρότυπα ή προδιαγραφές 7. Οδηγία επιπέδου θορύβου εξωτερικών χώρων a) Μετρηθείσα ηχητική ένταση b) Εγγυημένη ηχητική ένταση c) Ηχητική παράμετρος d) Διαδικασία πιστοποίησης e) Οργανισμός πιστοποίησης 8. Η δοκιμή έγινε 9. Ημερομηνία</p>
<p>Svenska (Swedish) EG-försäkran om överensstämmelse 1. Undertecknad, Piet Renneboog, på uppdrag av auktoriserad representant, deklarerar härmed att maskinen beskriven nedan fullföljer alla relevanta bestämmelser enligt: * Direktiv 2006/42/EG gällande maskiner * Direktiv 2004/108/EG gällande elektromagnetisk kompatibilitet * Direktiv 2000/14/EG - 2005/88/EG gällande buller utomhus 2. Maskinbeskrivning a) Allmän benämning : Elverk b) Funktion : producera el c) Och varunamn d) Typ e) Serienummer 3. Tillverkare 4. Auktoriserad representant 5. referens till överensstämmande standarder 6. Andra standarder eller specifikationer 7. Direktiv för buller utomhus a) Uppmått ljudnivå b) Garanterad ljudnivå c) Buller parameter d) Förfarande för bedömning e) Anmälda organ 8. Utfärdad vid 9. Datum</p>	<p>Español (Spanish) Declaración de Conformidad CE 1. El abajo firmante, Piet Renneboog, en representación del representante autorizado, adjunto declara que la máquina abajo descrita, cumple las cláusulas relevantes de: * Directiva 2006/42/CE de maquinaria * Directiva 2004/108/CE de compatibilidad electromagnética * Directiva 2000/14/CE - 2005/88/CE de ruido exterior 2. Descripción de la máquina a) Denominación genérica : Generador b) Función : Producción de electricidad c) Denominación comercial d) Tipo e) Número de serie 3. Fabricante 4. Representante autorizado 5. Referencia de los estándar armonizados 6. Otros estándar o especificaciones 7. Directiva sobre ruido exterior a) Potencia sonora Medida b) Potencia sonora Garantizada c) Parámetros ruido d) Procedimiento evaluación conformidad e) Organismo notificado 8. Realizado en 9. Fecha</p>	<p>Română (Romanian) CE -Declaratie de Conformitate 1. Subsemnatul Piet Renneboog, in numele reprezentantului autorizat, declar prin prezenta faptul ca echipamentul descris mai jos indeplineste toate conditiile necesare din: * Directiva 2006/42/CE privind echipamentul * Directiva 2004/108/CE privind compatibilitatea electromagnetica * Directiva 2000/14/CE - 2005/88/CE privind poluarea fonica in spatiu deschis 2. Descrierea echipamentului a) Denumire generica : Motogenerator electric b) Domeniul de utilizare : generarea energiei electrice c) Denumire comerciala d) Tip e) Serie produs 3. Producator 4. Reprezentantul Autorizat 5. Referinta la standardele armonizate 6. Alte standarde sau norme 7. Directiva privind poluarea fonica in spatiu inchis a) Puterea acustica masurata b) Putere acustica maxim garantata c) Indice poluare fonica d) Procedura de evaluare a conformitatii e) Notificari 8. Emisa la 9. Data</p>

<p>Lietuvių kalba (Lithuanian) EB atitikties deklaracija</p> <p>1. Įgaliotojo atstovo vardu pasirašęs Piet Renneboog patvirtina, kad žemiau aprašyta mašina atitinka visas įsvardintų direktyvų nuostatas:</p> <ul style="list-style-type: none"> * Mechanizmų direktyva 2006/42/EB * Elektromagnetinio suderinamumo direktyva 2004/108/EB * Triukšmo lauke direktyva 2000/14/EB - 2005/88/EB <p>2. Prietaiso aprašymas</p> <p>a) Bendras pavadinimas : Generatorius b) Funkcija : elektros energijos gaminimas c) Komercinis pavadinimas d) Tipas e) Serijos numeris 3. Gamintojas 4. Įgaliotasis atstovas 5. Nuorodos į suderintus standartus 6. Kiti standartai ir specifikacija 7. Triukšmo lauke direktyva a) Išmatuotas garso galingumo lygis b) Garantuojamas garso galingumo lygis c) Triukšmo parametras d) Tipas e) Registruota įstaiga 8. Vieta 9. Data</p>	<p>Български (Bulgarian) ЕО декларация за съответствие</p> <p>1. Дългоподписаният Пайът Ренебург, от името на упълномощения представител, с настоящото декларирам, че машините, описани по-долу, отговарят на всички съответни разпоредби на:</p> <ul style="list-style-type: none"> * Директива2006/42/ЕО относно машините * Директива 2004/108/ЕО относно електромагнитната съвместимост Директива 2000/14/ЕО - 2005/88/ЕО относно шумовите емисии на съоръжения, предназначени за употреба извън сградите <p>2. Описание на машините</p> <p>a) Общо наименование : Генераторен комплект b) Фунция : производство на електроенергия c) Търговско наименование d) Тип e) Серийн номер 3. Производител 4. Упълномощен представител 5. Съответствие с хармонизирани стандарти 6. Други стандарти или спецификации 7. Директива относно шумовите емисии на съоръжения, предназначени за употреба извън сградите a) Измерена звукова мощност b) Гарантирана звукова мощност c) Параметърът шум d) Процедура за оценка на съответствието e) Нотифициран орган 8. Място на изготвяне 9. Дата на изготвяне</p>	<p>Norsk (Norwegian) EF- Samsvarserklæring</p> <p>1.Undertegnede Piet Renneboog på vegne av autorisert representant herved erklærer at maskinene beskrevet nedenfor innfrir relevant informasjon fra følgende forskrifter.</p> <ul style="list-style-type: none"> * Maskindirektivt 2006/42/EF * Direktiv EMC: 2004/108/EF Elektromagnetisk kompatibilitet * Direktiv om støy utendørs 2000/14/EF - 2005/88/EF <p>2. Beskrivelse av produkt a) Felles benevnelse : Generator b) Funksjon : Produsere strøm c) Handelsnavn d) Type e) Serienummer 3. Produsent 4. Autorisert representant 5. Referanse til harmoniserte standarder 6. Øvrige standarder eller spesifikasjoner 7. Utendørs direktiv får støy a) Målt støy b) Maks støy c) Konstant støy d) Verdi vurderings prosedyre e) Gjeldene kjøretøy/kropp/stamme/skrog 8. Sted 9. Dato</p>
<p>Türk (Turkish) AT Uygunluk Beyanı</p> <p>1. Aşağıda imzası bulunan Piet Renneboog, yetkili temsilci adına, bu yazıyla birlikte aşağıdaki makine ile ilgili tüm hükümlülüklerin yerine getirildiğini beyan etmektedir. * Makina Emniyet Yönetmeliği 2006/42/AT * Elektromanyetik Uyumluluk Yönetmeliği 2004/108/AT * Açık Alanda Kullanılan Teçizat Tarafından Oluşturulan Çevredeki Gürültü Emisyonu İle İlgili Yönetmelik 2000/14/AT-2005/88/AT</p> <p>2. Makinanın tanıtı</p> <p>a) Kapsamlı adlandırma: Jeneratör grubu b) İşlevi : Elektrik gücü üretimi c) Ticari adı d) Tipi e) Seri numarası 3. İmalatçı 4. Yetkili temsilci 5. Uymlaştırılmış standartlara atıf 6. Diğer standartlar veya spesifikasyonlar 7. Açık alan gürültü Yönetmeliği a) Ölçülen ses gücü b) Garanti edilen ses gücü c) Gürültü parametresi d) Uygunluk değerlendirme prosedürü e) Onaylanmış kuruluş 8. Beyanın yeri : 9. Beyanın tarihi :</p>	<p>Íslenska(Icelandic) EB-Samræmisýfirlýsing</p> <p>1. Undirritaður Piet Renneboog staðfestir hér með fyrir hönd löggilfra aðila að upplýsingar um vélbúnað hér að neðan eru tæmandi hvað varðar alla tilheyrandi mátaflokk, svo sem</p> <ul style="list-style-type: none"> *Leiðbeiningar fyrir vélbúnað 2006/42/EB *Leiðbeiningar fyrir rafsegulvið 2004/108/EB *Leiðbeiningar um hávaðamengun 2000/14/EB-2005/88/EB <p>2. Lýsing á vélbúnaði a) Flokkur : Rafstöðvar b) Virkni : Framleiðsla á rafmagni c) Nafn d) Tegund e) Séríal númer 3. Framleiðandi 4. Löggildir aðilar 5. Tilvísun um heildar staðal 6. Aðrir staðlar eða sérstöður 7. Leiðbeiningar um hávaðamengun a) Mældur hávaða styrkur b) Staðfestur hávaða styrkur c) Hávaða breytileiki d) Staðfesting á gæðastöðlum e) Merkingar 8. Gert hjá 9. Dagsetning</p>	<p>Hrvatski(Croatian) EK Izjava o sukladnosti</p> <p>1. Potpisani, Piet Renneboog, u ime ovlaštenog predstavnika, ovime izjavljuju da strojevi navedeni u nastavku ispunjavaju sve važne odredbe:</p> <ul style="list-style-type: none"> * Propisa za strojeve 2006/42/EK * Propisa o elektromagnetskoj kompatibilnosti 2004/108/EK * Propisa o buci na otvorenome 2000/14/EK-2005/88/EK <p>2. Opis strojeva a) Opća vrijednost : Agregat b) Funkcionalnost : proizvod električnu energiju c) Komercijalni naziv d) Tip e) Serijski broj 3. Proizvođač 4. Ovlašteni predstavnik 5. Reference na usklađene norme 6. Ostale norme i specifikacije 7. Propis o buci na otvorenome a) Izmjerena jačina zvuka b) Zajamčena jačina zvuka c) Parametar buke d) Postupak za ocjenu sukladnosti e) Obavješteno tijelo 8. U 9. Datum</p>

Honda EU20i

MANUAL DE EXPLICACIONES

Manual original



El logotipo "e-SPEC" simboliza las tecnologías respetuosas del medio ambiente que se aplican a los equipos generadores Honda y representa nuestro deseo de "preservar la naturaleza para las generaciones venideras".

Le agradecemos la adquisición de este generador Honda.

Este manual abarca la operación y el mantenimiento del generador EU20i.

Toda la información contenida en esta publicación está basada en la última información del producto, disponible en el momento de la impresión.

Honda Motor Co., Ltd. se reserva el derecho a realizar cambios en cualquier momento sin previo aviso y sin incurrir en ninguna obligación.

Ninguna parte de esta publicación puede reproducirse sin permiso por escrito.

Este manual deberá considerarse como una parte permanente del generador y debe permanecer con él si se lo vende.

Prestar atención especial a las marcas siguientes:

⚠ ADVERTENCIA Indica una posibilidad significativa de lesiones corporales graves o incluso fatales si no se observan las instrucciones.

PRECAUCIÓN: Indica la posibilidad de lesiones corporales o daños a equipos si no se observan las instrucciones.

NOTA: Ofrece información de utilidad.

Si acontece algún problema, o si tiene alguna pregunta acerca del generador, consulte a su distribuidor autorizado de Honda.

⚠ ADVERTENCIA
El generador Honda está diseñado para proporcionar un servicio seguro y fiable si se opera de acuerdo con las instrucciones. Lea y entienda el Manual del propietario antes de operar el generador. Si no lo hace así, pueden producirse lesiones corporales o daños al equipo.

Las ilustraciones mostradas se basan principalmente en: tipo EU.

- La ilustración puede variar de acuerdo con el tipo.

ÍNDICE

1. INSTRUCCIONES DE SEGURIDAD	3
2. SITUACIÓN DE LAS ETIQUETAS DE SEGURIDAD.....	7
Ubicación de la marca CE y de la etiqueta sobre el ruido.....	11
3. IDENTIFICACIÓN DE COMPONENTES	12
4. COMPROBACIONES PREVIAS ANTES DEL USO	16
5. ARRANQUE DEL MOTOR	21
• Modificación del carburador para funcionar a gran altitud	
6. EMPLEO DEL GENERADOR	25
7. PARADA DEL MOTOR	38
8. MANTENIMIENTO	40
9. TRANSPORTE/ALMACENAJE	45
10. RESOLUCIÓN DE PROBLEMAS.....	48
11. ESPECIFICACIONES.....	51
12. DIAGRAMA DE CONEXIONES.....	53
RECEPTÁCULO	54
DIRECCIONES DE LOS PRINCIPALES DISTRIBUIDORES Honda....	Interior de la cubierta posterior
“Declaración de conformidad CE”	
RESUMEN DE CONTENIDOS.....	Interior de la cubierta posterior

1. 2INSTRUCCIONES DE SEGURIDAD

INFORMACIÓN DE SEGURIDAD IMPORTANTE

Los generadores Honda están diseñados para su empleo con equipos eléctricos que cumplen los requisitos adecuado de alimentación eléctrica. Otras aplicaciones pueden ocasionar lesiones al operador o daños en el generador y en otros sitios.

La mayor parte de lesiones o daños materiales pueden evitarse si se siguen todas las instrucciones de este manual y del generador. Los peligros más comunes se mencionan a continuación, junto con la mejor forma de protección propia y de los demás.

No intente nunca modificar el generador. Podría causar un accidente y daños en el generador y en los aparatos.

- No conecte una extensión al silenciador.
- No modifique el sistema de admisión.
- No ajuste el regulador.
- No extraiga el panel de control ni efectúe cambios en las conexiones del panel de control.

Responsabilidades del operador

Aprenda a parar con rapidez el generador en caso de emergencia.

Comprenda el empleo de todos los controles del generador, receptáculos de salida, y conexiones.

Asegúrese de que todas las personas que empleen el generador hayan recibido la instrucción apropiada. No permita a los niños que operen el generador sin supervisión paterna.

Observe sin falta las instrucciones de este manual sobre el modo de empleo del generador y la información sobre el mantenimiento. Si se ignoran o se siguen incorrectamente las instrucciones puede ocasionarse un accidente como pueda ser una descarga eléctrica, y puede deteriorarse el estado de los gases de escape.

Observe todas las leyes y reglamentaciones aplicables en el lugar de utilización del generador.

La gasolina y el aceite son tóxicos. Siga las instrucciones proporcionadas por cada fabricante antes de su empleo.

Ponga el generador en un lugar firme y nivelado antes de la operación.

No opere el generador cuando alguna de las tapas esté desmontada. Podrá pillarse una mano o un pie en el generador y sufrir un accidente.

Para el desmontaje y el servicio del generador que no se describe en este manual, consulte a su concesionario Honda autorizado.

Peligros del monóxido de carbono

Los gases de escape contienen monóxido de carbono venenoso, que es un gas incoloro e inodoro. Si se aspiran los gases de escape pueden ocasionar la pérdida del conocimiento y pueden causar la muerte.

Si pone en marcha el generador en lugares cerrados, o incluso en lugares parcialmente cerrados, es posible que el aire que usted respire contenga una cantidad peligrosa de gases de escape.

No ponga nunca en marcha el generador dentro de un garaje, de una casa ni cerca de puertas o ventanas abiertas.

Peligros de descargas eléctricas

El generador produce suficiente energía eléctrica como para causar descargas eléctricas graves o electrocución si se utiliza indebidamente.

El empleo de un generador o de un aparato eléctrico en condiciones mojadas, como pueda ser bajo la lluvia o nieve, o cerca de una piscina o de un sistema de riego con rociador, puede ocasionar electrocución.

Mantenga seco el generador.

Si el generador se almacena al aire libre, desprotegido contra la intemperie, compruebe siempre todos los componentes eléctricos del panel de control antes de utilizarlo. La humedad o el hielo pueden causar mal funcionamiento o cortocircuitos de los componentes eléctricos, lo que puede ser causa de electrocución.

Si recibe una descarga eléctrica, consulte a un médico y solicite inmediatamente tratamiento médico.

Peligros de incendios y quemaduras

No emplee el generador en lugares en los que exista peligro de incendio.

El sistema de escape se calienta lo suficiente como para encender ciertos materiales.

- Mantenga el generador por lo menos a 1 metro de distancia de edificios y de otros equipos durante la operación.
- No encierre el generador en ninguna estancia.
- Mantenga los materiales inflamables apartados del generador.

Algunas partes del motor de combustión interna se calientan y pueden causar quemaduras. Ponga atención a las advertencias del generador.

El silenciador se calienta mucho durante la operación, y sigue caliente durante cierto tiempo después de haber parado el motor. Tenga cuidado y no toque el silenciador mientras esté caliente. Deje que se enfríe el motor antes de almacenar el generador en un local cerrado.

En el caso de producirse fuego, no rocíe agua directamente al generador para apagarlo. Emplee un extintor de incendios apropiado que esté especialmente diseñado para fuegos eléctricos o de carburantes.

Si ha inhalado el humo producido por un incendio accidental con el generador, consulte a un médico y solicite inmediatamente tratamiento médico.

Reposte con cuidado

La gasolina es muy inflamable, y el vapor de gasolina puede explotar. Deje que el motor se enfríe si el generador ha estado funcionando.

Reposte sólo en exteriores en un lugar bien ventilado con el motor parado.

No reposte durante el funcionamiento.

No rellene excesivamente el depósito de combustible.

No fume nunca cerca de la gasolina, y mantenga apartados el fuego y las chispas.

Guarde siempre la gasolina en un recipiente homologado.

Asegúrese de haber limpiado el combustible que se haya derramado antes de poner en marcha el motor.

A prueba de explosión

Este generador no cumple con la calificación de equipo a prueba de explosión.

Eliminación

Para proteger el medio ambiente, no tire el generador, la batería, el aceite de motor, etc. usados en un punto para la recogida de la basura. Observe las leyes y regulaciones de su localidad o consulte a un concesionario de generadores Honda autorizado cuando deba tirar tales partes.

Tire el aceite de motor usado de forma que sea compatible con el medio ambiente. Le sugerimos que lo guarde en un recipiente sellado y lo lleve a la estación de servicio para reclamación. No lo tire a la basura ni al suelo.

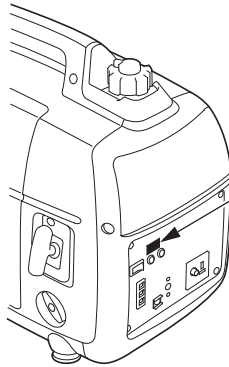
La eliminación inadecuada de la batería puede dañar el medio ambiente. Para su eliminación, confirme siempre las regulaciones locales. Para su reemplazo, póngase en contacto con su concesionario de servicio.

2. SITUACIÓN DE LAS ETIQUETAS DE SEGURIDAD

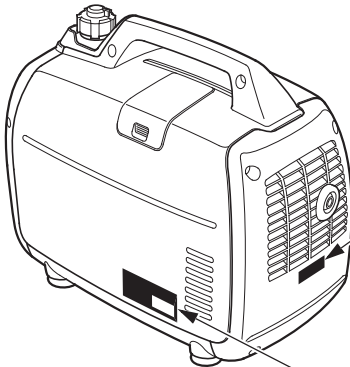
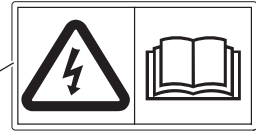
Estas etiquetas le avisan sobre peligros potenciales que pueden ocasionar heridas graves. Lea con atención las etiquetas y notas de seguridad así como las precauciones descritas en este manual.

Si una etiqueta se despegó o si resulta difícil de leer, solicite su reemplazo a su concesionario de servicio.

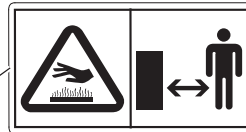
[Para modelo europeo: Tipos G, GP3, GW, GW1, B, F, W, CL]



**PRECAUCIÓN:
TOMA ELÉCTRICA**



**PRECAUCIÓN:
CALIENTE**



**LEA EL
MANUAL DEL
PROPIETARIO**

**ESCAPE
PRECAUCIÓN**

**CONEXIÓN
PRECAUCIÓN**



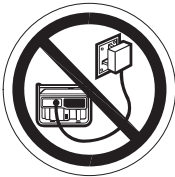
PRECAUCIÓN: COMBUSTIBLE



- El generador Honda está diseñado para proporcionar un servicio seguro y fiable si se opera de acuerdo con las instrucciones. Lea y entienda el Manual del propietario antes de operar el generador. Si no lo hace así, pueden producirse lesiones corporales o daños al equipo.



- Los gases de escape contienen monóxido de carbono venenoso, que es un gas incoloro e inodoro. Si se aspira monóxido de carbono puede ocasionar la pérdida del conocimiento y puede causar la muerte.
- Si pone en marcha el generador en lugares cerrados, o incluso en lugares parcialmente cerrados, es posible que el aire que usted respire contenga una cantidad peligrosa de gases de escape.
- No ponga nunca en marcha el generador dentro de un garaje, de una casa ni cerca de puertas o ventanas abiertas.



- Las conexiones inadecuadas a la instalación eléctrica de un edificio pueden permitir que la corriente del generador se realimente a la red principal de suministro eléctrico. Este tipo de realimentación puede electrocutar a los operarios de la compañía de electricidad o a otras personas que entren en contacto con las líneas de transmisión durante una suspensión del suministro, y el generador podría explotar, quemarse u ocasionar un incendio al restaurarse el suministro eléctrico. Consulte a la compañía suministradora de electricidad o a un electricista cualificado antes de efectuar conexiones eléctricas.



- La gasolina es muy inflamable y explosiva. Pare el motor y espere a que se enfríe antes de repostar.

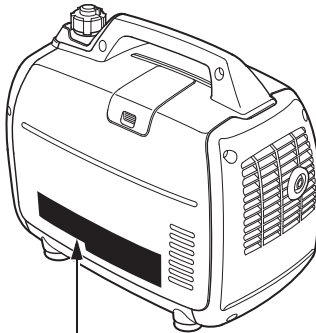


- Conecte y extraiga la caja de receptáculos para operación en paralelo cuando el motor esté parado.
- Para la operación sencilla debe extraerse la caja de receptáculos para operación en paralelo.



- El sistema de escape puede causar quemaduras serias cuando está caliente.
No lo toque si el motor ha estado en marcha.

[Para modelo australiano: Tipo U]



CAUTION

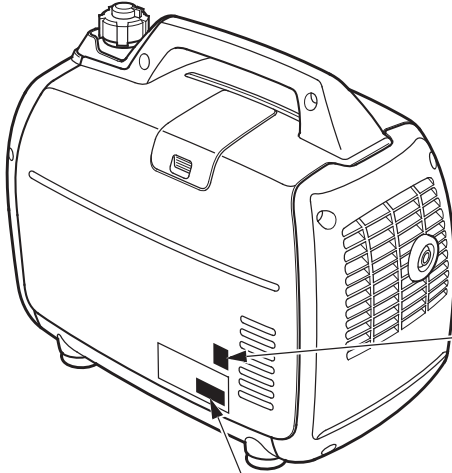
- DO NOT USE INDOORS DUE TO DANGER OF CARBON MONOXIDE POISONING.
- DO NOT CONNECT THE RECEPTACLE OF THIS GENERATOR TO HOUSE WIRING.
- STOP THE ENGINE BEFORE REFUELING.
- CHECK FOR SPILLED FUEL OR FUEL LEAKS.
- DO NOT FILL THE FUEL TANK BEYOND THE UPPER LIMIT LINE.
- FOR DETAILED EXPLANATION, READ THE OWNER'S MANUAL.
- WHEN STORED OR IN TRANSIT, MAKE CERTAIN THAT THE ENGINE SWITCH AND THE FUEL TANK CAP LEVER ARE IN "OFF" POSITION TO PREVENT FUEL LEAKS.
- BE SURE TO CONNECT ONLY THE SPECIAL LEAD TO THE PARALLEL OPERATION RECEPTACLE.

ATTENTION

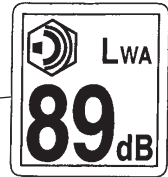
- NE PAS UTILISER DANS UN LOCAL CLOS OÙ LES VAPEURS NOCIVES DE MONOXYDE DE CARBONE PEUVENT S'ACCUMULER.
- NE JAMAIS CONNECTER LE GROUPE ÉLECTROGÈNE À UNE PRISE DE SECTEUR.
- ARRÊTER LE MOTEUR AVANT DE FAIRE LE PLEIN D'ESSENCE.
- CONTRÔLER QU'IL N'Y A NI FUITE D'ESSENCE, NI D'ESSENCE RÉPANDUE SUR L'APPAREIL.
- NE PAS REMPLIR LE RÉSERVOIR D'ESSENCE AU-DESSUS DU REPÈRE DE NIVEAU MAXIMUM.
- POUR PLUS D'INFORMATIONS, LIRE LE MANUEL DE L'UTILISATEUR.
- QUAND LE GROUPE ÉLECTROGÈNE EST REMISÉ OU TRANSPORTÉ, S'ASSURER QUE LE CONTACT D'ARRÊT DU MOTEUR ET LA MISE À L'AIR LIBRE DU RÉSERVOIR D'ESSENCE SONT SUR LA POSITION "OFF" AFIN D'ÉVITER TOUTE FUITE D'ESSENCE.
- CONNECTER UNIQUEMENT LE CORDON SPÉCIAL À LA PRISE POUR UTILISATION EN PARALLÈLE.

- Ubicación de la marca CE y de la etiqueta sobre el ruido

[Para modelo europeo: Tipos G, GP3, GW, GW1, B, F, W, CL]



ETIQUETA SOBRE EL RUIDO



MARCA CE

Año de fabricación

CE	Low power generator set		EU20i	
	EN 12601			
Rated power COP	1.6 kW	50 Hz	G1	A
Rated power factor	1.0	230 V	IP23M	
Year of Mfg.		7.0 A	Mass	kg
Honda Motor Co., Ltd. 2-1-1 Minamiaoyama, Minato-ku, Tokyo, Japan		Honda Motor Europe Ltd. Aalst Office Wijngaardveld 1 (Noord V), 9300 Aalst - BELGIUM		

Fabricante y dirección

Nombre y dirección del representante autorizado

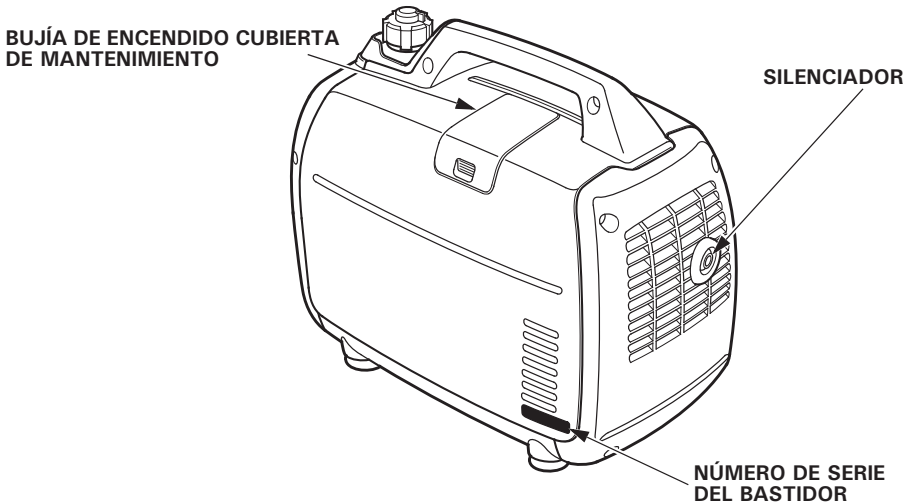
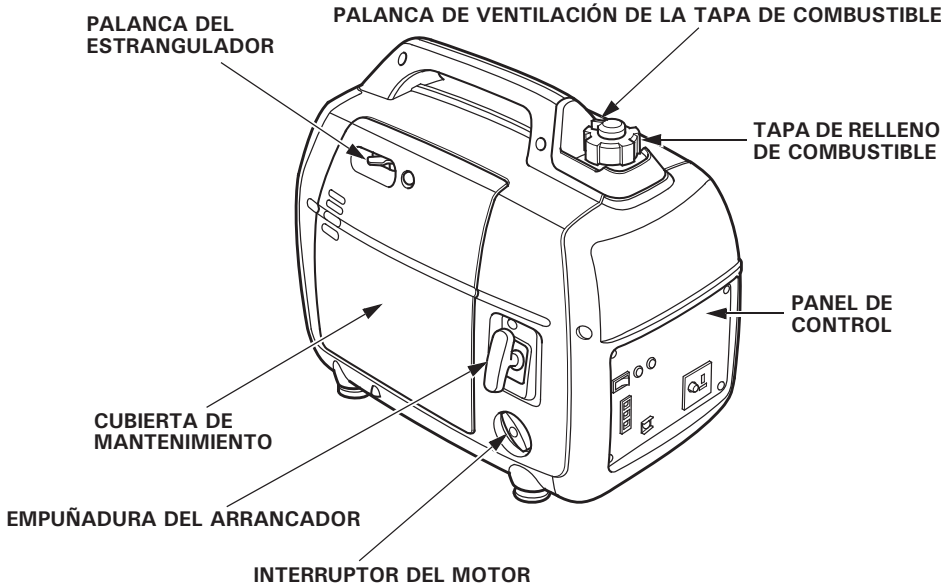
Clase de prestaciones

Clase de calidad

Clase IP

Masa en seco (peso)

3. IDENTIFICACIÓN DE COMPONENTES

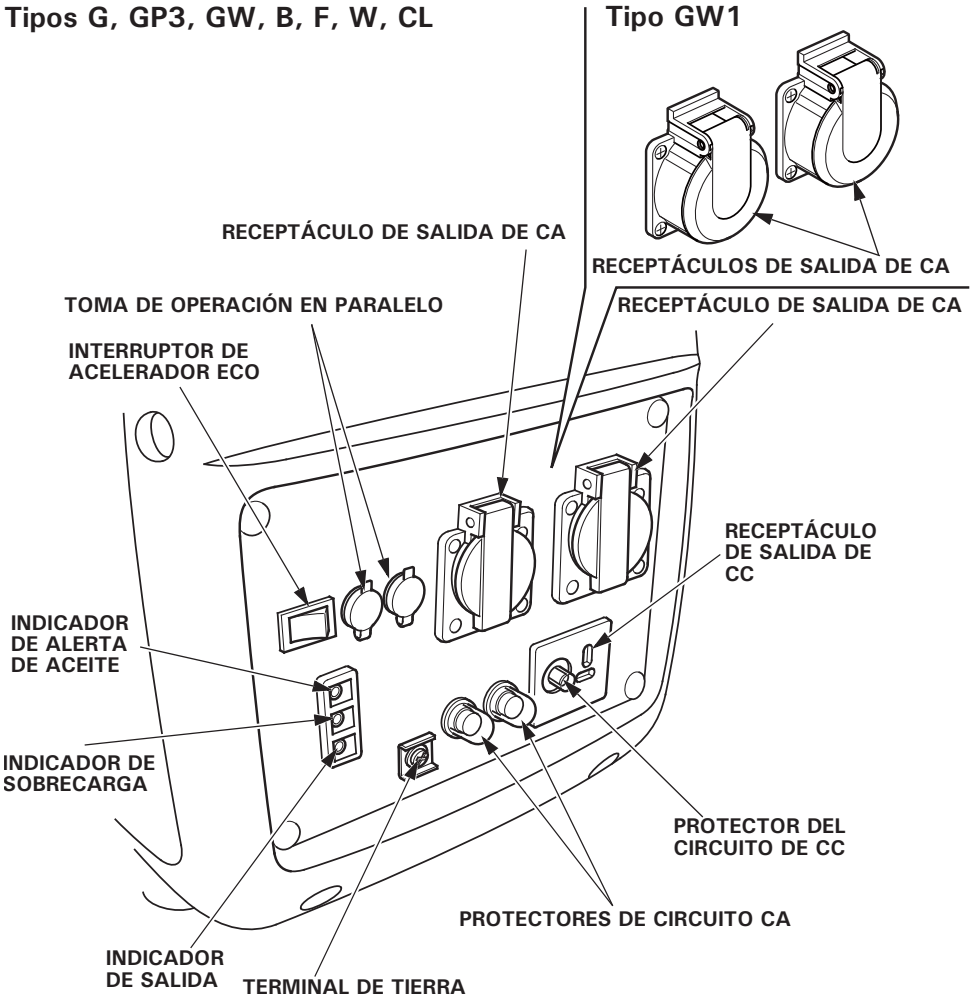


Anote el número de serie del bastidor en el espacio de abajo. Necesitará este número de serie para realizar pedidos de piezas.

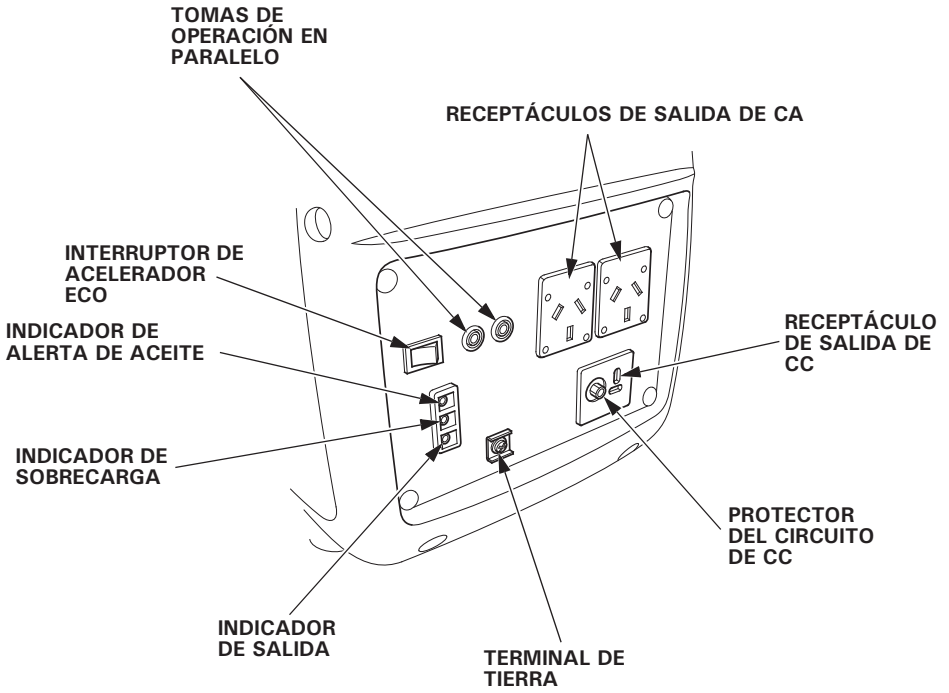
Número de serie del bastidor: _____

PANEL DE CONTROL

Tipos G, GP3, GW, B, F, W, CL



Tipo U



Acelerador Eco

ECO:

La velocidad del motor se mantiene al ralentí automáticamente cuando se desconecta el aparato eléctrico y retorna a la velocidad adecuada para la carga eléctrica cuando se conecta el aparato eléctrico. Se recomienda esta posición para minimizar el consumo de combustible durante la operación.

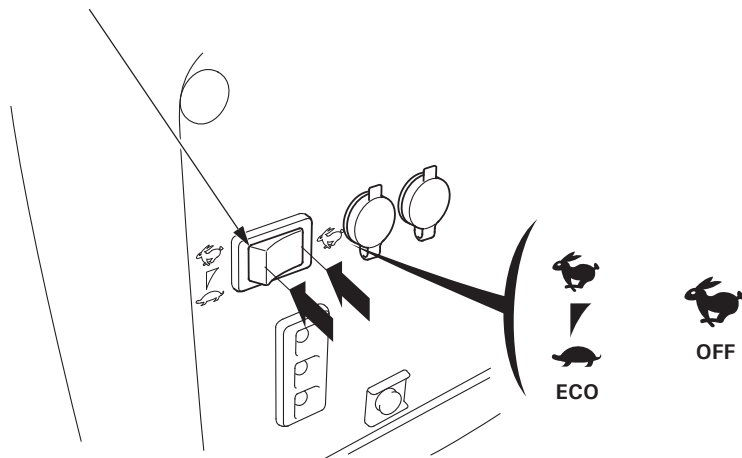
NOTA:

- El sistema del acelerador Eco no opera de forma suficiente si el aparato eléctrico requiere energía eléctrica momentánea.
- Gire el interruptor del acelerador Eco a la posición OFF para reducir los cambios de tensión cuando se conectan simultáneamente aparatos con grandes cargas eléctricas.
- En operación de CC, gire el interruptor del acelerador ECU a la posición OFF.

OFF:

No funciona el sistema del acelerador Eco. La velocidad del motor se mantiene dentro del margen indicado en Velocidad del motor (con el acelerador Eco desactivado) en la página "ESPECIFICACIÓN".

INTERRUPTOR DE ACELERADOR ECO



4. COMPROBACIONES PREVIAS ANTES DEL USO

PRECAUCIÓN:

Cerciorarse de que el generador esté sobre una superficie nivelada con el motor parado.

1. Compruebe el nivel del aceite de motor.

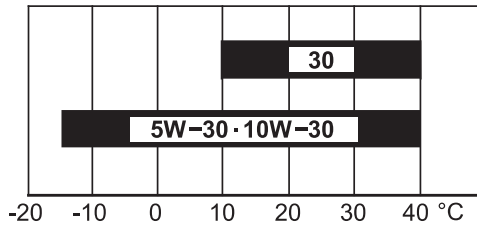
PRECAUCIÓN:

El empleo de aceite de motor de 2 tiempos o aceite no detergente puede acortar la vida útil de servicio del motor.

Aceite recomendado

Emplee aceite de motor de 4 tiempos que satisfaga o exceda los requisitos para la categoría de servicio API de SE o posterior (o equivalente). Compruebe siempre la etiqueta de servicio API del recipiente de aceite para asegurarse que incluye las letras SE o posterior (o equivalente).

Lea las instrucciones en el recipiente de aceite antes de su empleo.



TEMPERATURA AMBIENTE

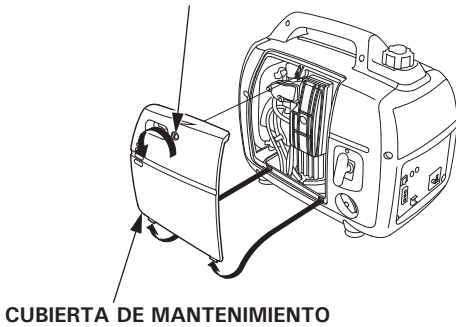
Se recomienda el SAE 10W-30 para aplicaciones generales. Las otras viscosidades mostradas en el gráfico pueden utilizarse cuando la temperatura media de su zona está dentro del margen recomendado.

- (1) Afloje el tornillo de la cubierta de mantenimiento y extraiga la cubierta de mantenimiento.
- (2) Extraiga la tapa de relleno de aceite.
- (3) Compruebe el nivel de aceite. Si se encuentra por debajo del límite superior, rellénelo con el aceite recomendado hasta llegar al límite superior.
- (4) Instale de nuevo la tapa de relleno de aceite con seguridad.

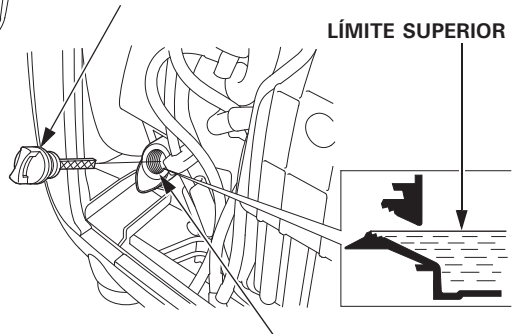
PRECAUCIÓN:

Si se hace funcionar el motor sin suficiente aceite, se pueden causar daños serios al motor.

TORNILLO DE LA CUBIERTA DE MANTENIMIENTO



TAPA DE RELLENO DE ACEITE



ORIFICIO DE RELLENO DE ACEITE

NOTA:

El sistema de alerta de aceite parará automáticamente el motor antes de que el nivel de aceite caiga por debajo del límite de seguridad. Sin embargo, para evitar la inconveniencia de una parada inesperada, sigue siendo aconsejable inspeccionar visualmente con regularidad el nivel del aceite.

2. Compruebe el nivel de combustible.

Si el nivel de combustible es bajo, llene el depósito de combustible hasta el nivel especificado. Luego de rellenar, apriete firmemente la tapa del orificio de llenado de combustible.

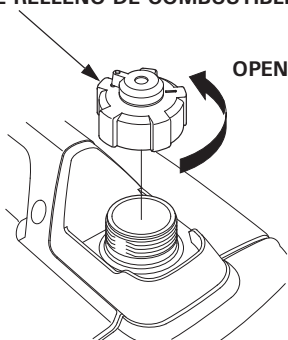
Emplee gasolina sin plomo para automóviles con un número de octanos de investigación de 91 o más alto (un número de octanos de bomba de 86 o más alto).

No emplee nunca gasolina pasada o sucia ni mezcla de aceite-gasolina. Evite la entrada de suciedad o agua en el depósito de combustible.

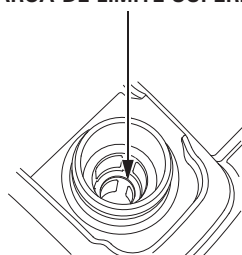
⚠ ADVERTENCIA

- **La gasolina es muy inflamable y explosiva bajo ciertas condiciones.**
 - **Rellene en un área bien ventilada con el motor parado. No fume ni permita la presencia de fuego ni chispas cuando rellene o en el lugar donde guarde la gasolina.**
 - **No rellene excesivamente el depósito de combustible (no deberá haber combustible por encima de la marca del límite superior). Después de repostar, asegúrese de que la tapa de relleno de combustible quede correctamente cerrada con seguridad.**
 - **Tenga cuidado de no derramar combustible cuando se rellena. Los derrames de combustible y sus vapores pueden inflamarse. Si se derrama combustible, asegúrese de que el área está seca antes de arrancar el motor.**
 - **Evite un contacto repetido o prolongado con la piel o la inhalación de vapor.**
- MANTENER ALEJADO DEL ALCANCE DE LOS NIÑOS.**

TAPA DE RELLENO DE COMBUSTIBLE



MARCA DE LÍMITE SUPERIOR



NOTA:

La gasolina se echa a perder con rapidez dependiendo de factores tales como la exposición a la luz, la temperatura y el tiempo.

En el peor de los casos, la gasolina puede echarse a perder en 30 días.

El empleo de gasolina sucia puede causar serios daños en el motor (obstrucciones en el carburador, agarrotamiento de válvulas).

Estos daños debidos a un combustible que no está en buenas condiciones no están cubiertos por la garantía.

Para evitar estas situaciones, siga estrictamente estas recomendaciones:

- Emplee sólo la gasolina especificada (vea la página 18).
- Emplee gasolina nueva y limpia.
- Para aminorar el deterioro, mantenga la gasolina en un recipiente de combustible homologado.
- Si se tiene que almacenar durante mucho tiempo (más de 30 días), drene el depósito de combustible y el carburador (vea la página 46)

Gasolinas con alcohol

Si decide utilizar gasolina con alcohol (gasohol), asegúrese que el octanaje sea al menos tan alto como el recomendado por Honda.

Existen dos tipos de "gasohol": uno que contiene etano y otro que contiene metanol.

No utilice gasohol con más del 10% de etano.

No emplee nunca gasolina que contenga más del 5% de metanol (alcohol metílico o alcohol de madera) o gasolina que contenga metanol si no contiene cosolventes e inhibidores contra la corrosión para metanol.

NOTA:

- Los daños en el sistema de combustible o los problemas de rendimiento del motor causados por la utilización de gasolina que contenga más cantidad de alcohol que la recomendada no están cubiertos por la garantía.
- Antes de adquirir gasolina de una gasolinera desconocida, compruebe si la gasolina contiene alcohol, y en caso de contenerlo, pregunte el tipo y porcentaje de alcohol utilizado.

Si nota algún síntoma de funcionamiento no deseado mientras utiliza una determinada gasolina. Cambie a una gasolina que sepa que contiene una cantidad de alcohol inferior a la recomendada.

3. Comprobar el elemento del filtro.

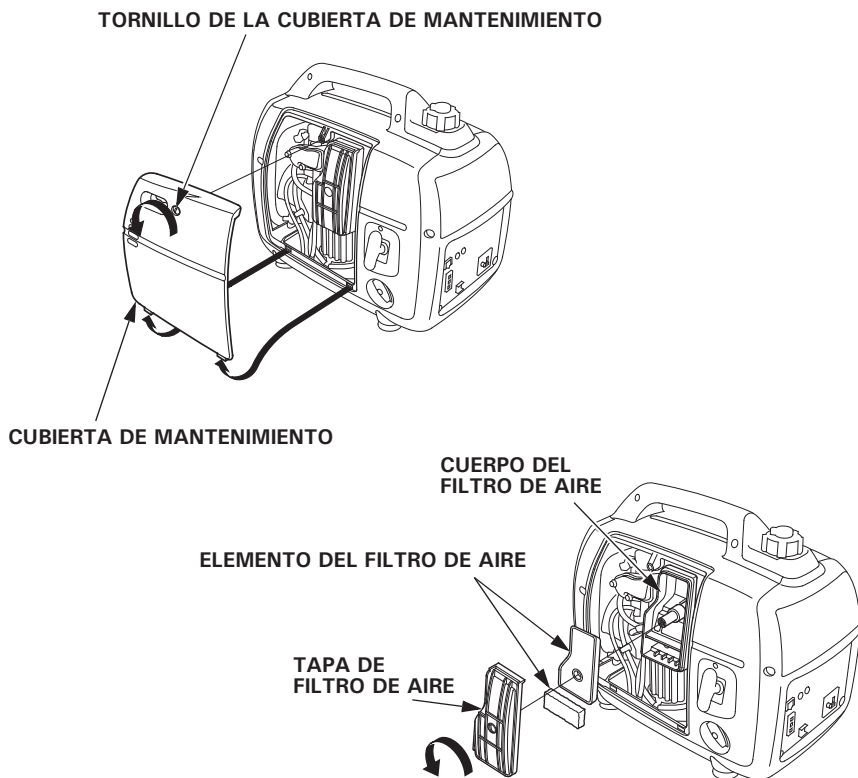
Compruebe los elementos del filtro de aire para cerciorarse de que estén limpios y en buenas condiciones.

Afloje el tornillo de la cubierta de mantenimiento y extraiga la cubierta de mantenimiento. Presione la lengüeta de enganche que hay encima del cuerpo del filtro de aire, extraiga la cubierta del filtro de aire, y compruebe los elementos.

Limpie o reemplace los elementos si es necesario (vea la página 42).

PRECAUCIÓN:

Nunca ponga en marcha el motor sin los elementos del filtro de aire. El motor podría desgastarse con rapidez, debido al polvo y suciedad que ingresan al motor a través del carburador.



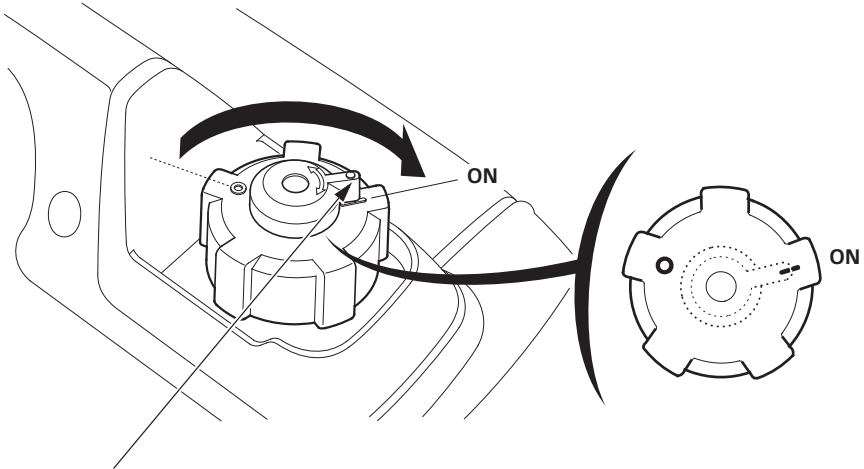
5. ARRANQUE DEL MOTOR

Antes de arrancar el motor, desconecte cualquier carga que pueda haber en el receptáculo de CA.

1. Gire la palanca de la tapa de combustible a la posición ON.

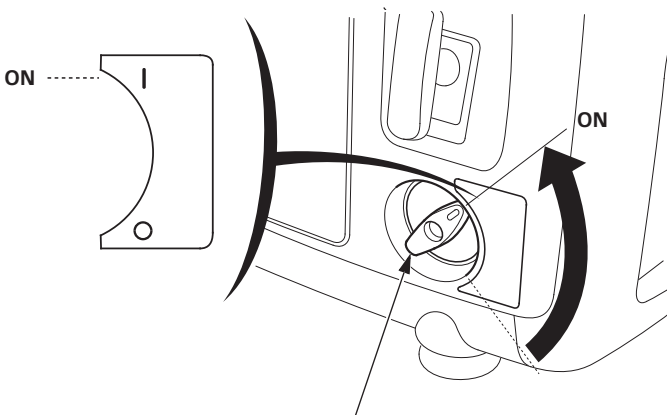
NOTA:

Gire la palanca de ventilación de la tapa del depósito de combustible a la posición OFF cuando transporte el generador.



PALANCA DE VENTILACIÓN DE LA TAPA DE COMBUSTIBLE

2. Gire el interruptor del motor a la posición ON.



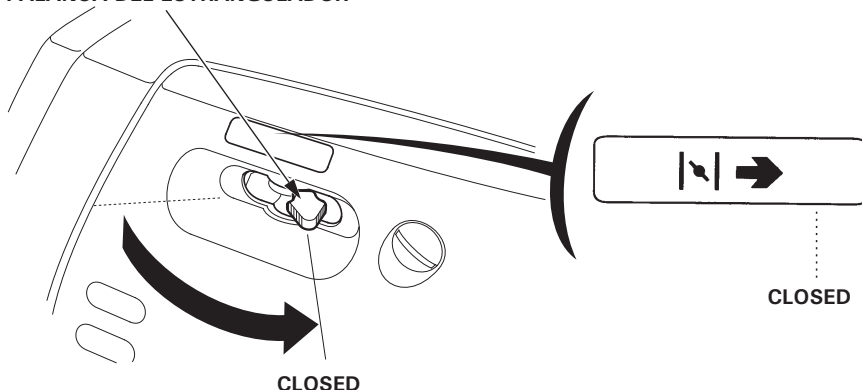
INTERRUPTOR DEL MOTOR

3. Mueva la palanca del estrangulador a la posición CLOSED.

NOTA:

No emplee el estrangulador cuando el motor esté caliente ni cuando la temperatura del aire sea alta.

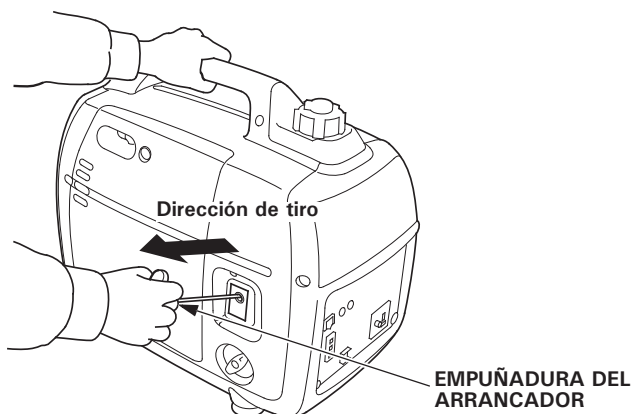
PALANCA DEL ESTRANGULADOR



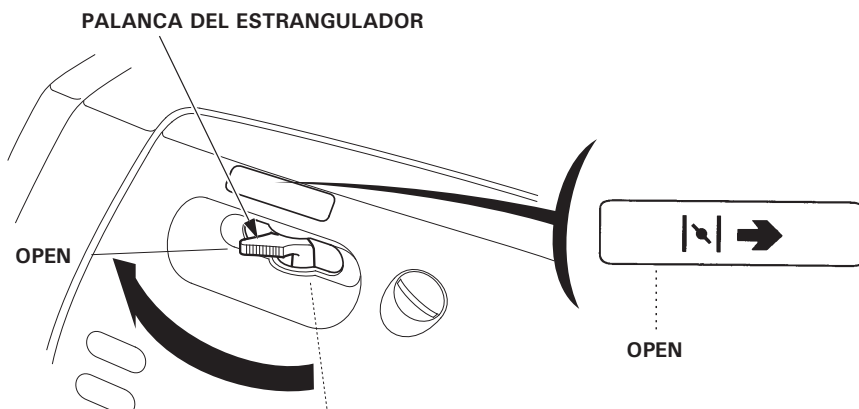
4. Tire ligeramente de la empuñadura del arrancador hasta notar resistencia, y entonces tire con fuerza de la empuñadura del arrancador en la dirección de la flecha como se muestra abajo.

PRECAUCIÓN:

- La empuñadura del arrancador puede retroceder con mucha rapidez antes de que usted la suelte. Esta fuerza puede arrastrarle la mano con fuerza hacia el motor y causarle lesiones.
- No permita que retroceda con efecto de resorte la empuñadura del acelerador. Haga que retroceda con la mano.



5. Mueva la palanca del estrangulador a la posición OPEN a medida que se caliente el motor.



NOTA:

Si se para el motor y no puede volver a ponerse en marcha, compruebe el nivel del aceite de motor (vea la página 17) antes de realizar la localización y reparación de averías en otras partes.

- **Modificación del carburador para funcionar a gran altitud**

A grandes altitudes, la mezcla normal de aire-combustible del carburador será demasiado rica. Se reducirá el rendimiento y aumentará el consumo de combustible. Si la mezcla es demasiado rica, ensuciará también la bujía y puede dificultar el arranque. El funcionamiento a una altitud distinta de la certificada para este motor, durante períodos prolongados de tiempo, puede ocasionar un incremento en las emisiones de escape.

El rendimiento a grandes altitudes podrá mejorar mediante modificaciones específicas en el carburador. Si siempre opera el generador a altitudes de más de 1.500 metros, solicite a su concesionario de servicio que efectúe esta modificación del carburador. Este motor conformará cada una de las normas sobre las emisiones de escape durante toda su vida de servicio cuando se opere a gran altitud con las modificaciones del carburador para funcionar a grandes altitudes.

Incluso con la modificación del carburador, la potencia del motor se reducirá aproximadamente el 3,5% por cada 300 m de incremento de la altitud. El efecto de la altitud en la potencia será mayor si no se han efectuado las modificaciones en el carburador.

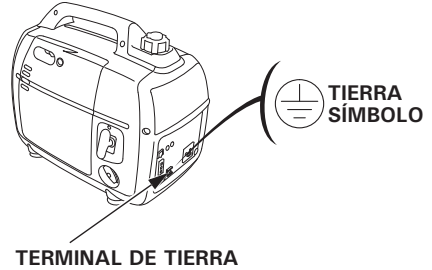
PRECAUCIÓN:

La operación de la generador en una altitud inferior a la que se ajusta el surtidor del carburador puede resultar en un menor rendimiento, sobrecalentamiento, y en serios daños al motor causados por un excesivo paso de mezcla de aire y combustible.

6. USO DEL GENERADOR

El generador produce suficiente energía eléctrica como para causar descargas eléctricas graves o electrocución si se utiliza indebidamente. Asegúrese de poner a tierra el generador cuando el aparato conectado esté puesto a tierra.

Para poner a tierra el terminal del generador, emplee un conductor de cobre con un diámetro igual o superior al del cable del aparato conectado.

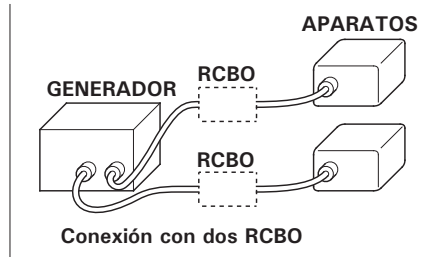
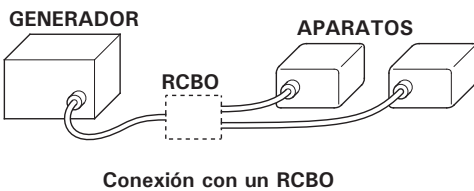


Emplee un cable de extensión provisto de conductor de tierra cuando conecte un aparato provisto de conductor de tierra.

Para identificar la patilla de tierra en la clavija, consulte RECEPTÁCULO en la página 54.

Conecte un RCBO (disyuntor de corriente residual con protección contra sobrecarga) de detección de fallos de tierra de 30 mA y corte de menos de 0,4 segundos a más de 30 A de corriente de salida, si está empleando dos o más aparatos.

Siga las instrucciones proporcionadas por el fabricante de cada RCBO antes de su empleo.



⚠ ADVERTENCIA

Las conexiones inadecuadas a la instalación eléctrica de un edificio pueden permitir que la corriente del generador se realimente a la red principal de suministro eléctrico.

Este tipo de realimentación puede electrocutar a los operarios de la compañía de electricidad o a otras personas que entren en contacto con las líneas de transmisión durante una suspensión del suministro, y el generador podría explotar, quemarse u ocasionar un incendio al restaurarse el suministro eléctrico. Consulte a la compañía suministradora de electricidad o a un electricista cualificado antes de efectuar conexiones eléctricas.

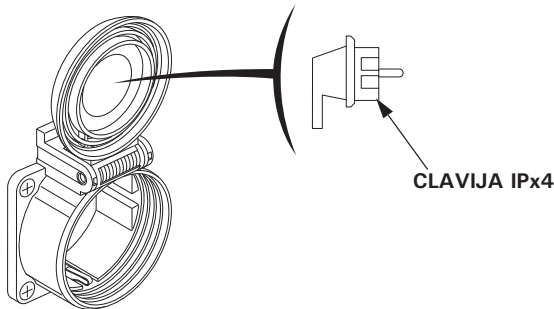
PRECAUCIÓN:

- No exceda el límite de corriente especificado para cualquier receptáculo.
- No modifique ni emplee el generador para otras aplicaciones que no sean las propias del aparato. Observe también lo siguiente cuando emplee el generador:
 - No conecte una extensión al tubo de escape.
 - Cuando se requiere un cable de extensión, asegúrese de emplear un cable flexible con forro de goma fuerte (IEC 245 o equivalente).
 - Longitud máxima de los cables de extensión; 60 m para cables de 1,5 mm² y 100 m para cables de 2,5 mm². Los cables de extensión largos reducirán la energía utilizable debido a la resistencia del cable de extensión.
 - Mantenga el generador apartado de otros cables eléctricos o cables como puedan ser de las líneas de alimentación comercial.

ADVERTENCIA

Tipo GW1

Cuando se use una clavija acodada, use siempre una clavija tipo IPx4.

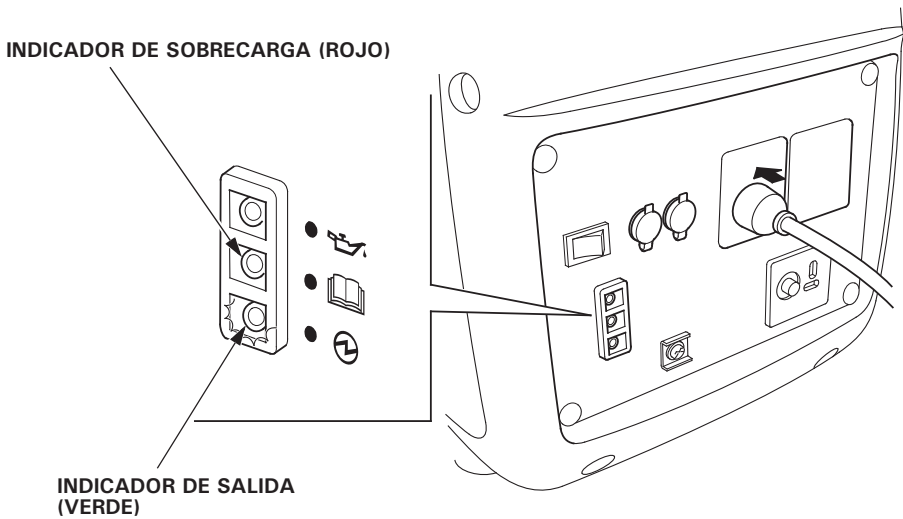


NOTA:

- El receptáculo de CC puede emplearse mientras se emplea la alimentación de CA.
Si emplea ambos al mismo tiempo, no exceda la alimentación de CA máxima.
Alimentación de CA máxima: 1,5 kVA
- La mayoría de los motores de los aparatos eléctricos necesitan más que la potencia nominal para ponerse en marcha.
- Asegúrese de que los valores eléctricos nominales de la herramienta o aparato no excedan los del generador. No exceda nunca el valor de la potencia máxima del generador. Los niveles de potencia entre los valores nominales y máximo no podrán utilizarse durante más de 30 minutos.
- Una sobrecarga sustancial desconectará el protector del circuito de CA (excepto el tipo U). Si se excede el límite de tiempo de operación a la máxima potencia o si se sobrecarga un poco el generador, es posible que no se produzca la desconexión del protector del circuito de CA, pero se acortará la vida de servicio del generador.
- Limite la operación que requiere la potencia máxima a 30 minutos.
La potencia máxima es de: 2,0 kVA
- Para la operación continua, no exceda la potencia nominal.
La potencia nominal es de: 1,6 kVA
- En cualquiera de los casos, deberá tenerse en cuenta la alimentación total (VA) de todos los aparatos conectados.

Aplicaciones con CA

1. Ponga en marcha el motor y asegúrese de que se encienda el indicador de salida (verde).
2. Confirme que el aparato a utilizarse esté desconectado, y enchufe el aparato.



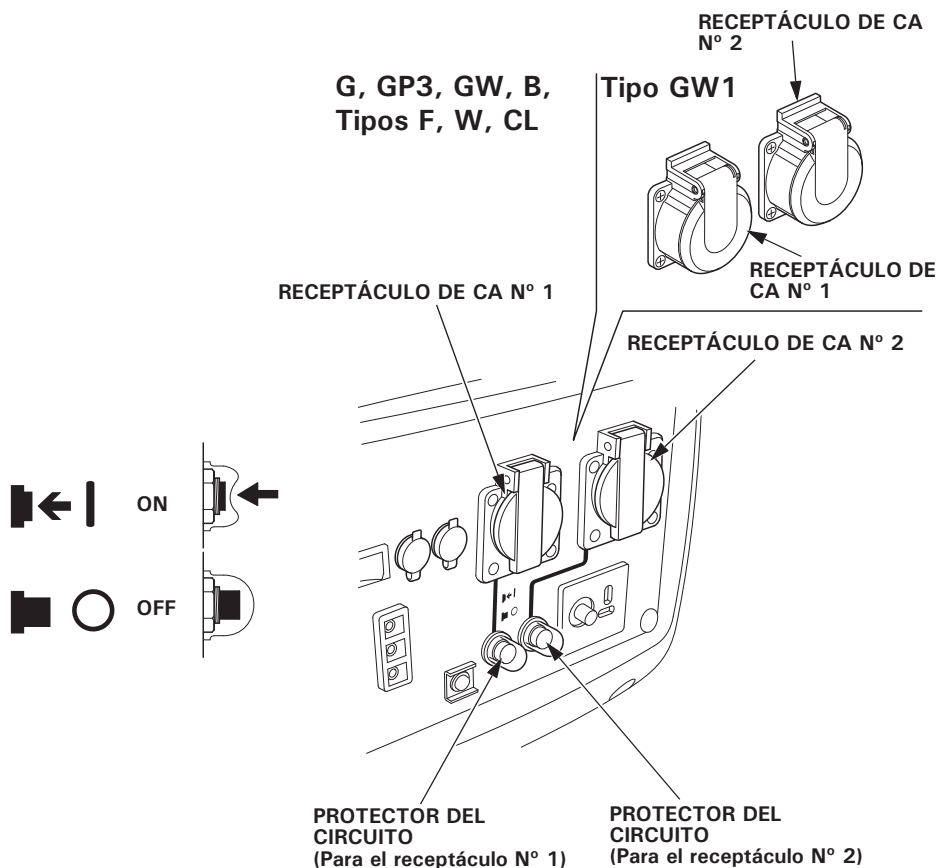
PRECAUCIÓN:

- Las sobrecargas substanciales que hacen que se encienda continuamente el indicador de sobrecarga (rojo) pueden causar daños en el generador. Las sobrecargas marginales que hacen que se encienda temporalmente el indicador de sobrecarga (rojo) pueden acortar la vida útil de servicio del generador.
- Asegúrese de que todos los aparatos estén en buen estado de funcionamiento antes de conectarlos al generador. El equipo eléctrico (incluyendo los cables y las conexiones de las clavijas) no deberán estar en estado defectuoso. Si un aparato empieza a funcionar anormalmente, de forma irregular o si se para súbitamente, desconecte inmediatamente el interruptor del motor del generador. Luego, desconecte el aparato y mire si hay alguna señal de mal funcionamiento.

Protector del circuito de CA (tipos G, GP3, GW, GW1, B, F, W, CL)

Los protectores del circuito de CA se desconectarán (OFF) automáticamente (salta el botón) si se produce un cortocircuito o una sobrecarga significativa en el receptáculo del generador.

Si uno de los interruptores protectores del circuito de CA se desconecta (OFF) automáticamente, compruebe si el aparato está funcionando correctamente y que no exceda la capacidad de carga nominal del circuito antes de reponer el protector del circuito de CA al estado de activación (ON) (dejando presionado el botón).



Indicadores de salida y de sobrecarga

El indicador de salida (verde) quedará encendido durante las condiciones normales de operación.

Además, el indicador de salida tiene la función de contador de horas simplificado. Al arrancar el motor, el indicador parpadea de acuerdo con las horas acumuladas de funcionamiento del generador de la forma siguiente:

- Sin parpadeos: 0–100 horas
- 1 parpadeo: 100-200 horas
- 2 parpadeos: 200-300 horas
- 3 parpadeos: 300–400 horas
- 4 parpadeos: 400-500 horas
- 5 parpadeos: 500 horas o más

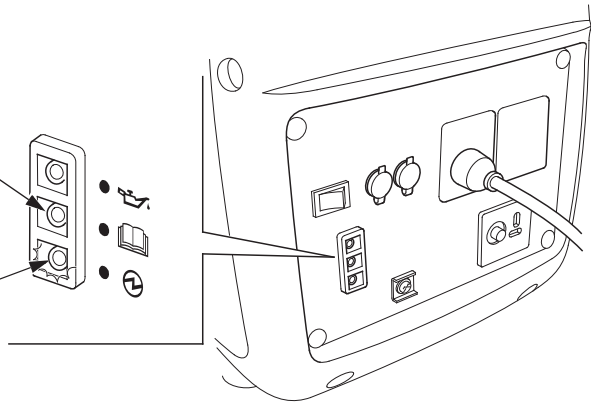
Si se sobrecarga el generador (vea la página 27), o si se produce un cortocircuito en el aparato conectado, se apagará el indicador de salida (verde), se encenderá el indicador de sobrecarga (rojo) y se cortará la corriente al aparato conectado.

Pare el motor si se enciende el indicador de sobrecarga (rojo) y busque el origen de la sobrecarga.

- Antes de conectar un aparato al generador, compruebe que esté en buen estado de operación, y que sus valores eléctricos no excedan los del generador. Entonces, conecte el cable de alimentación del aparato y ponga en marcha el motor.

INDICADOR DE SOBRECARGA (ROJO)

INDICADOR DE SALIDA (VERDE)



NOTA:

Cuando se ponga en marcha un motor eléctrico, es posible que se enciendan simultáneamente el indicador de sobrecarga (rojo) y el indicador de salida (verde). Esto es normal si el indicador de sobrecarga (rojo) se apaga después de unos 4 segundos. Si el indicador de sobrecarga (rojo) queda encendido, consulte a su concesionario de generadores Honda.

Operación en paralelo

Lea el capítulo "EMPLEO DEL GENERADOR" antes de conectar cualquier equipo que vaya a utilizarse.

Emplee sólo una caja de receptáculos homologada por Honda para la operación en paralelo (opcional) cuando conecte los dos generadores EU20i para que funcionen en paralelo.

Asegúrese de que los valores eléctricos nominales de la herramienta o aparato no excedan los del generador. No exceda nunca el valor de la potencia máxima del generador. Los niveles de potencia entre los valores nominales y máximo no podrán utilizarse durante más de 30 minutos.

Limite la operación que requiere la potencia máxima a 30 minutos.

La potencia máxima de operación en paralelo es:

(Excepto tipo U): 3,6 kVA

Tipo U: 4,0 kVA

Para la operación continua, no exceda la potencia nominal.

La potencia nominal de operación en paralelo es: 3,2 kVA

En cualquiera de los casos, deberá tenerse en cuenta la alimentación total (VA) de todos los aparatos conectados.

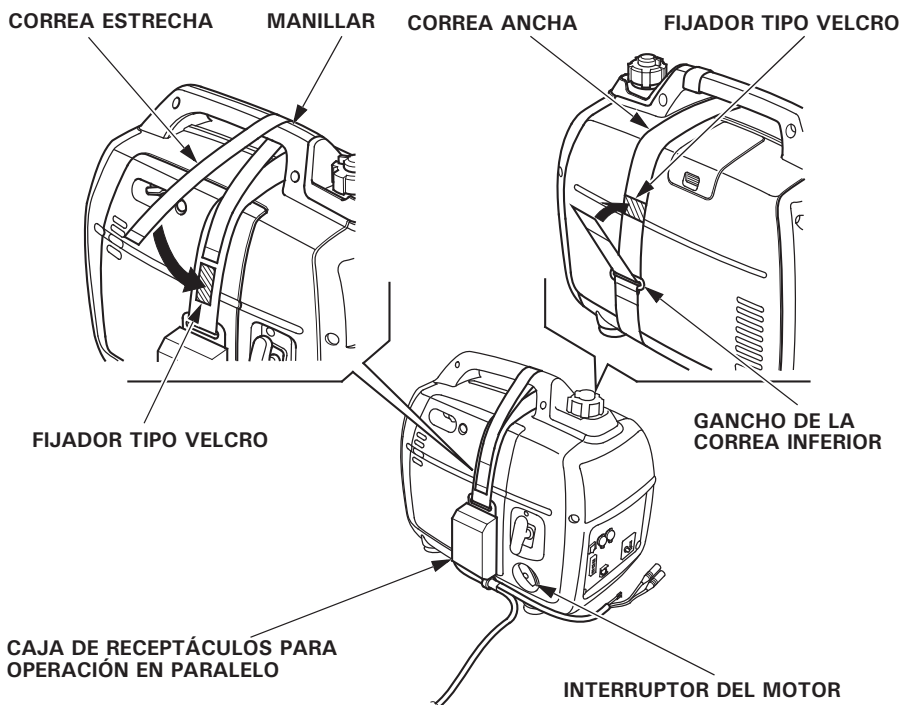
PRECAUCIÓN:

Las sobrecargas substanciales que hacen que se encienda continuamente el indicador de sobrecarga (rojo) pueden causar daños en el generador. Las sobrecargas marginales que hacen que se encienda temporalmente el indicador de sobrecarga (rojo) pueden acortar la vida útil de servicio del generador.

⚠ ADVERTENCIA

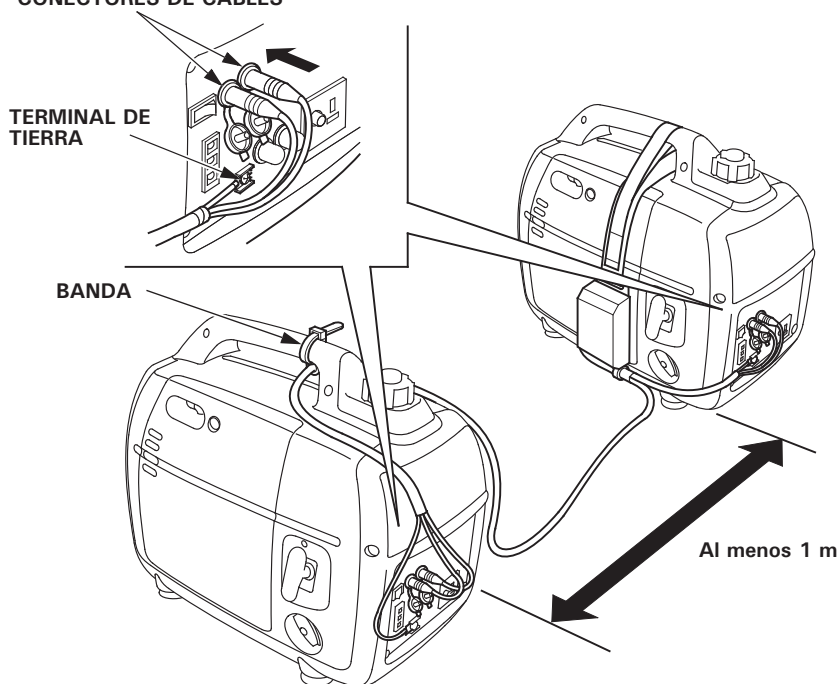
- No conecte nunca generadores de modelos y tipos distintos.
- No conecte nunca ningún cable que no sea de la caja de receptáculos para operación en paralelo.
- Conecte y extraiga la caja de receptáculos para operación en paralelo cuando el motor esté parado.
- Para la operación sencilla debe extraerse la caja de receptáculos para operación en paralelo.

1. Instale la caja de receptáculos para operación en paralelo en un generador y fíjela con las bandas de fijación como se muestra.
- Coloque la correa en el lado frontal del manillar.
 - Fije la correa estrecha al manillar con el fijador tipo velcro.
 - Pase la correa ancha superior por el gancho de la correa inferior y fíjela con el fijador tipo velcro.
 - Pase los cables de la caja de receptáculos por debajo del interruptor del motor.
 - Instale las correas de modo que no queden flojas.



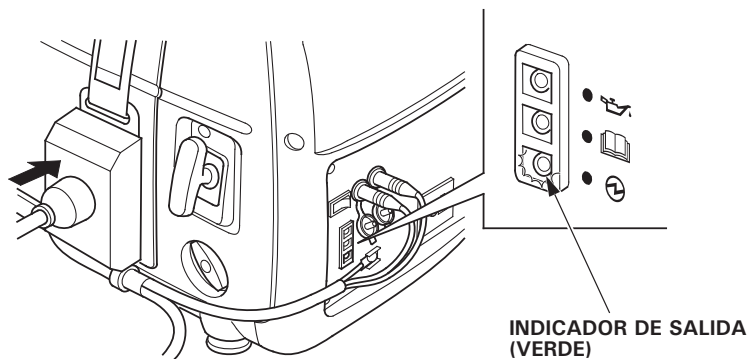
2. Conecte a los generadores los conectores de cables y los terminales de tierra de la caja de receptáculos para la operación en paralelo y fije la abrazadera del cable al manillar.
- Ponga los dos generadores por lo menos a 1 metro de distancia entre sí durante la operación en paralelo.
 - Instale el cable a través del manillar y fíjelo al manillar empleando la banda.
 - Tenga cuidado para que no se afloje el cable hacia el lado de la empuñadura del arrancador.
 - Conecte el cable más largo al generador al que no se haya instalado la caja de receptáculos para la operación en paralelo.
 - No coloque los generadores con los lados de escape encarados entre sí.

CONECTORES DE CABLES



3. Conecte a tierra el terminal de tierra de un generador.
- Cuando un aparato esté conectado a tierra, conecte también a tierra el generador.

4. Ponga en marcha los motores y asegúrese de que se enciendan los indicadores de salida (verdes).
5. Confirme que el aparato a utilizarse esté desconectado, y enchufe el aparato.
6. Conecte la alimentación del equipo que se proponga utilizar.



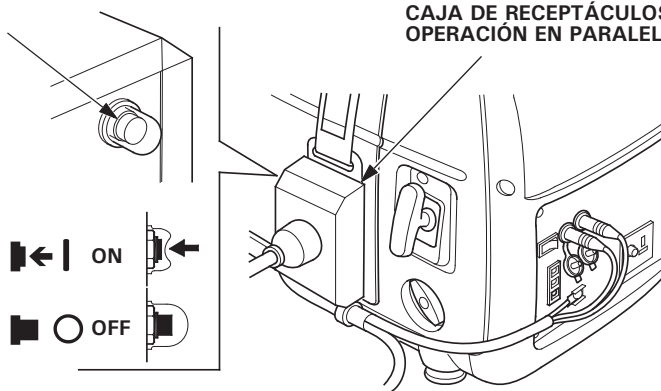
Protector del circuito de CA (Excepto tipo U)

El protector del circuito de CA que hay en la caja de receptáculos para la operación en paralelo se desconectará (OFF) automáticamente (salta el botón) si se produce un cortocircuito o una sobrecarga significativa en el receptáculo del generador.

Si uno de los interruptores del protector del circuito de CA se desconecta (OFF) automáticamente, compruebe si el aparato está funcionando correctamente y que no exceda la capacidad de carga nominal del circuito (16 A) antes de reponer el protector del circuito de CA al estado de activación (ON) (dejando presionado el botón).

PROTECTOR DEL CIRCUITO DE CA

CAJA DE RECEPTÁCULOS PARA OPERACIÓN EN PARALELO



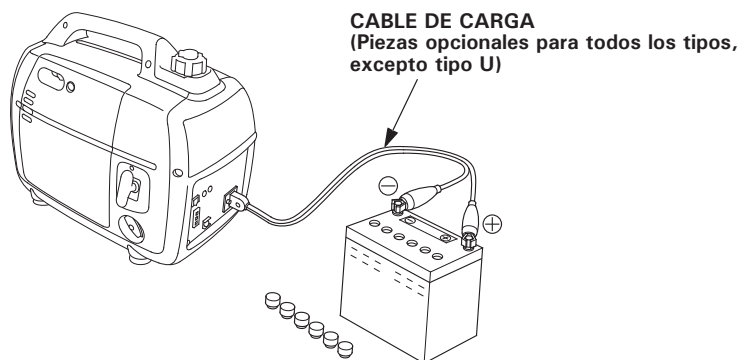
Aplicación de CC

El receptáculo de CC puede utilizarse para cargar sólo baterías del tipo de automóvil de 12 voltios.

NOTA:

En operación de CC, gire el interruptor del acelerador Eco a la posición OFF.

1. Conecte los cables de carga al receptáculo de CC del generador y luego a los terminales de la batería.



⚠ ADVERTENCIA

- Para evitar la posibilidad de crear chispas cerca de la batería, conecte el cable de carga primero al generador, y luego a la batería. Desconecte primero el cable en la batería.
- Antes de conectar el cable de carga a una batería que esté instalada en un vehículo, desconecte el cable de la batería del vehículo. Después de haber quitado los cables de carga, vuelva a conectar el cable de la batería del vehículo. Siguiendo este procedimiento se evitará la posibilidad de que se produzca un cortocircuito o chispas en caso de hacerse contacto accidentalmente entre un terminal de batería y el bastidor o carrocería del vehículo.

PRECAUCIÓN:

- No intente arrancar un automóvil con el generador todavía conectado a la batería. Podría dañarse el generador.
- Conecte el terminal positivo de batería al cable de carga positivo. No invierta los cables de carga, ya que se podrían producir serios daños en el generador y/o la batería.

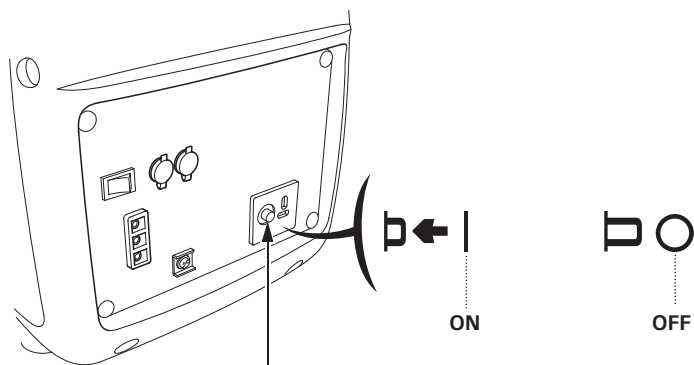
⚠ ADVERTENCIA

- Las baterías producen gases explosivos. Si se inflaman, la explosión puede causar graves daños personales o ceguera. Proporcione una ventilación apropiada cuando efectúe la carga.
- **PELIGRO DE AGENTES QUÍMICOS:** El electrolito de la batería contiene ácido sulfúrico. El contacto con los ojos o la piel, incluso a través de la ropa, puede causar quemaduras graves. Utilice una pantalla para la cara y póngase ropa de protección.
- Mantenga las llamas y chispas alejadas, y no fume en el área.
ANTÍDOTO: Si le ha entrado electrolito en los ojos, lávese con agua durante 15 minutos por lo menos, y luego vaya inmediatamente al médico.
- **VENENO:** El electrolito es venenoso.
ANTÍDOTO
 - Externo: Lave a fondo con agua.
 - Interno: Beba grandes cantidades de agua o leche.
Siga con leche de magnesia o aceite vegetal, y llame inmediatamente a un médico.
- **MANTENER ALEJADO DEL ALCANCE DE LOS NIÑOS.**

2. Arranque el motor.

NOTA:

- El receptáculo de CC puede emplearse mientras se emplea la alimentación de CA.
- Un circuito de CC sobrecargado disparará el protector del circuito de CC (el botón pulsador sale hacia afuera).
Si así sucede, esperar algunos minutos antes de presionar el protector del circuito para reanudar la operación.

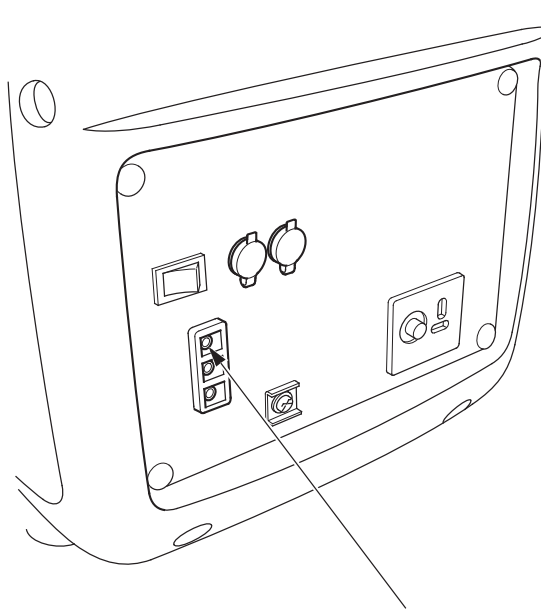


PROTECTOR DEL CIRCUITO CC

Sistema de alerta del aceite

El sistema de aviso del aceite está diseñado para evitar daños en el motor causados por una cantidad insuficiente de aceite en el cárter. Antes de que el nivel de aceite del cárter caiga por debajo de un límite de seguridad, el sistema de aviso de aceite para el motor automáticamente (el interruptor del motor queda en la posición ON).

Si el sistema de alerta de aceite para el motor, se encenderá la luz del indicador de alerta de aceite (rojo) cuando usted opere el motor de arranque, y el motor no se pondrá en marcha. Si éste es el caso, compruebe el nivel del aceite de motor (vea la página 17).



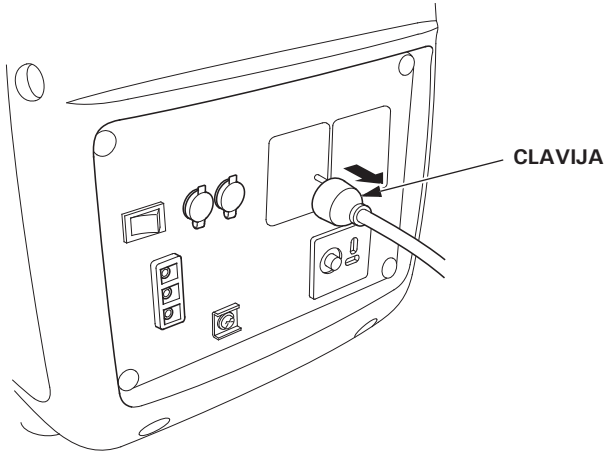
INDICADOR DE AVISO DE ACEITE (RED)

7. PARADA DEL MOTOR

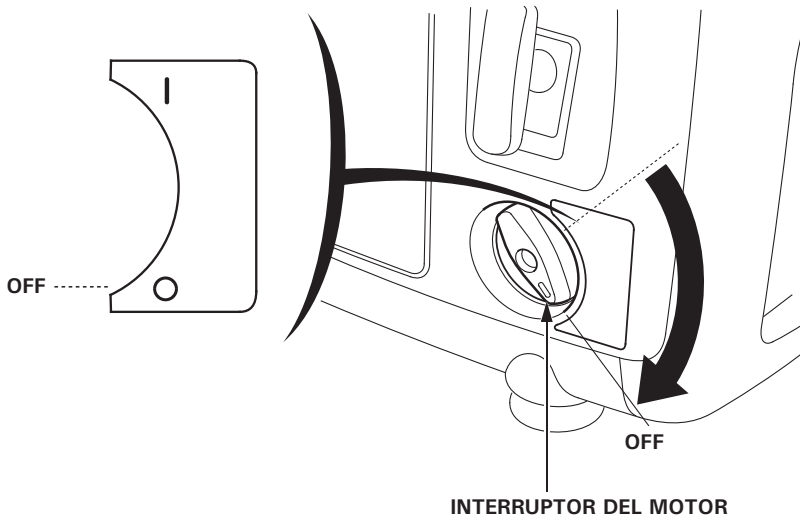
Para parar el motor en caso de emergencia, ponga el interruptor del motor en la posición OFF.

EN EMPLEO NORMAL:

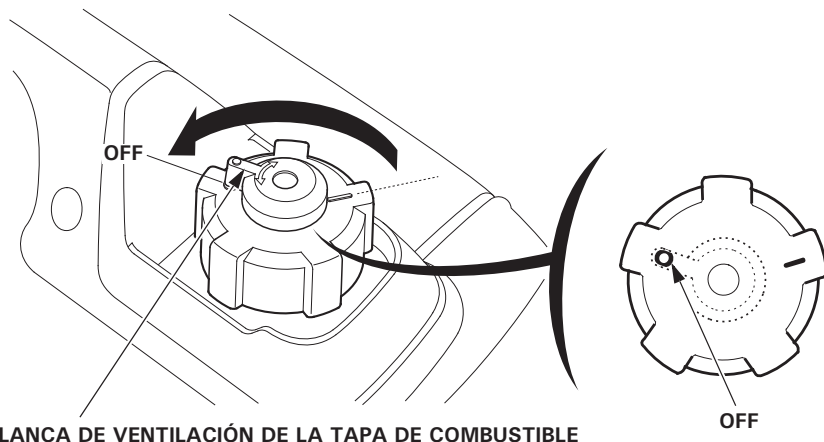
1. Desconecte el equipo conectado y tire de la clavija insertada.



2. Desconecte el interruptor del motor (OFF).



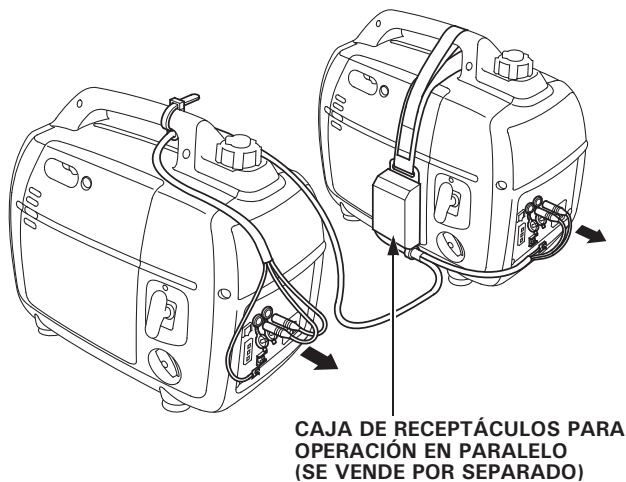
3. Gire la palanca de ventilación de la tapa del combustible completamente hacia la izquierda a la posición OFF.



PRECAUCIÓN:

Asegúrese de que la palanca de ventilación de la tapa del combustible y el interruptor del motor estén en la posición OFF cuando pare, transporte y/o guarde el generador.

4. Cuando haya realizado la operación en paralelo, tire de la caja de receptáculos para operación en paralelo.



8. MANTENIMIENTO

El propósito del programa de mantenimiento y de ajuste es el conservar el generador en el mejor estado de funcionamiento. Inspeccione o realice el servicio según está programado en la tabla siguiente.

⚠ ADVERTENCIA

Asegúrese de que el motor esté desconectado antes de comenzar cualquier trabajo de mantenimiento o de reparación. De este modo eliminará muchos peligros potenciales:

- **Envenenamiento por monóxido de carbono de los gases de escape del motor.** Asegúrese de que haya una ventilación adecuada siempre que tenga el motor en marcha.
- **Quemaduras en las partes calientes.** Espere a que se enfríen el motor y el sistema de escape antes de tocarlos.
- **Daños debidos a las piezas en movimiento.** No ponga en marcha el motor a menos que se lo indiquen las instrucciones.

El silenciador se calienta mucho durante la operación, y sigue caliente durante cierto tiempo después de haber parado el motor. Tenga cuidado y no toque el silenciador mientras esté caliente. Deje que se enfríe el motor antes realizar el mantenimiento.

PRECAUCIÓN:

Emplee piezas originales Honda Genuine o sus equivalentes. El empleo de piezas de recambio que no son de calidad equivalente puede causar daños en el generador.

Programa de mantenimiento

PERIODO REGULAR DE MANTENIMIENTO (1) Realizar a cada intervalo indicado mensual o de horas, lo que antes se cumpla.		Cada uso	Primer mes o 20 horas	Cada 3 meses o 50 horas	Cada 6 meses o 100 horas	Cada años o 200 horas
ELEMENTO						
Aceite del motor	Comprobar nivel	o				
	Cambiar		o		o	
Filtro de aire	Comprobar	o				
	Limpiar			o (2)		
Bujía de encendido	Comprobar-ajustar				o	
	Cambiar					o
Ajuste de válvula	Comprobar-ajustar					o (3)
Cámara de combustión	Limpiar	Cada 300 horas (3)				
Depósito y filtro de combustible	Limpiar				o (3)	
Tubo de combustible	Comprobar	Cada 2 años (cambiar en caso necesario) (3)				

- NOTA:**
- (1) Para aplicaciones comerciales, registre las horas de operación para poder determinar los intervalos adecuados de mantenimiento.
 - (2) Realice el mantenimiento con mayor frecuencia cuando lo utilice en zonas polvorientas.
 - (3) Estas operaciones de mantenimiento deberá realizarlas su concesionario de servicio, a menos que usted disponga de las herramientas adecuadas y posea los conocimientos mecánicos adecuados. Para ver los procedimientos de servicio, consulte el manual de taller Honda.

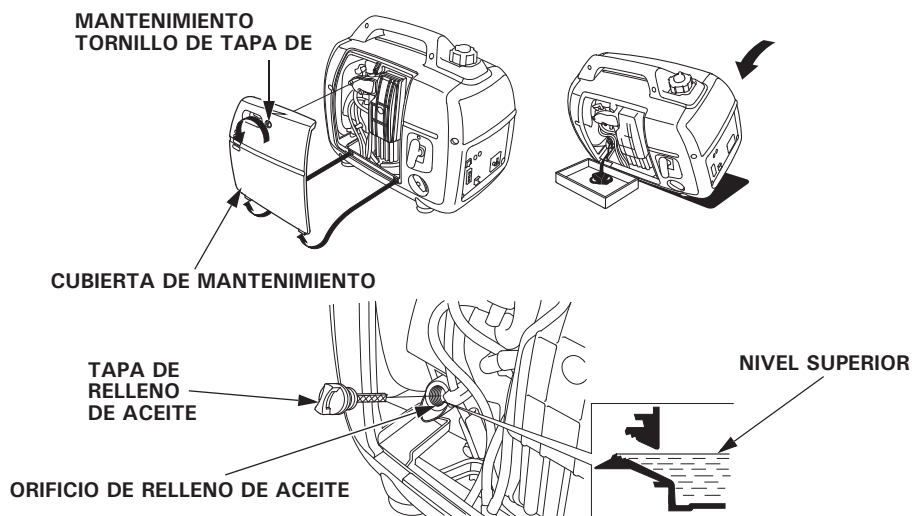
1. CAMBIO DEL ACEITE

Drene el aceite mientras el motor esté todavía caliente para asegurar un drenaje rápido y completo.

PRECAUCIÓN:

Asegúrese de girar el interruptor del motor y la palanca de ventilación de la tapa del combustible a la posición OFF antes de efectuar el drenaje.

1. Afloje el tornillo de la cubierta de mantenimiento y extraiga la cubierta de mantenimiento.
2. Extraiga la tapa de relleno de aceite.
3. Drene el aceite sucio por completo en un recipiente adecuado.
4. Rellene con aceite recomendado (vea la página 16) y compruebe el nivel.
5. Frote con un paño para quitar todo el aceite derramado del generador.
6. Vuelva a instalar la cubierta de mantenimiento y apriete con seguridad el tornillo de la cubierta.



Lávese las manos con agua y jabón después de haber manipulado aceite usado.

NOTA:

Tire el aceite de motor usado de forma que sea compatible con el medio ambiente. Le sugerimos que lo guarde en un recipiente sellado y lo lleve a la estación de servicio para reclamación. No lo tire a la basura ni al suelo.

2. SERVICIO DEL FILTRO DE AIRE

Un filtro de aire sucio restringirá el flujo de aire al carburador. Para evitar fallas en el funcionamiento, efectúe frecuentemente el servicio del filtro de aire. Efectúe el servicio con más frecuencia cuando el generador funcione en lugares extremadamente polvorientos.

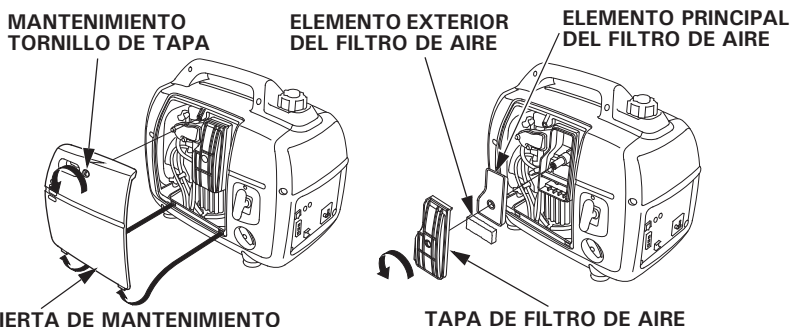
⚠ ADVERTENCIA

Para la limpieza, no use gasolina ni disolventes de baja temperatura inflamación. Bajo ciertas condiciones, son inflamables y explosivos.

PRECAUCIÓN:

No hacer funcionar nunca el generador sin el filtro de aire. El motor se podría desgastar con rapidez.

1. Afloje el tornillo de la cubierta de mantenimiento y extraiga la cubierta de mantenimiento.
2. Afloje el tornillo de la cubierta del filtro de aire y extraiga la cubierta del filtro de aire.



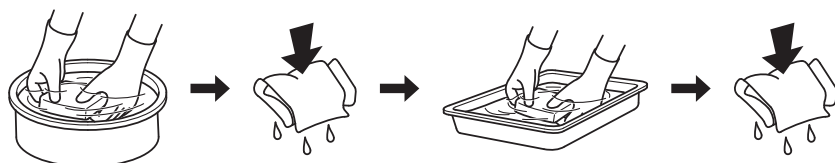
3. Lavar con agua y jabón, aclarar y dejar que se seque por completo. O, limpiarlo con disolvente de alto punto de inflamación y dejar que se seque. Sumergir los elementos principal y exterior del filtro de aire en aceite limpio del motor y exprimirlos para eliminar el exceso. El motor producirá humo durante el arranque inicial si se deja demasiado aceite en el elemento de espuma.

Limpiar

Estrujar y secar
No retorcer.

Bañar en aceite

Estrujar
No retorcer.



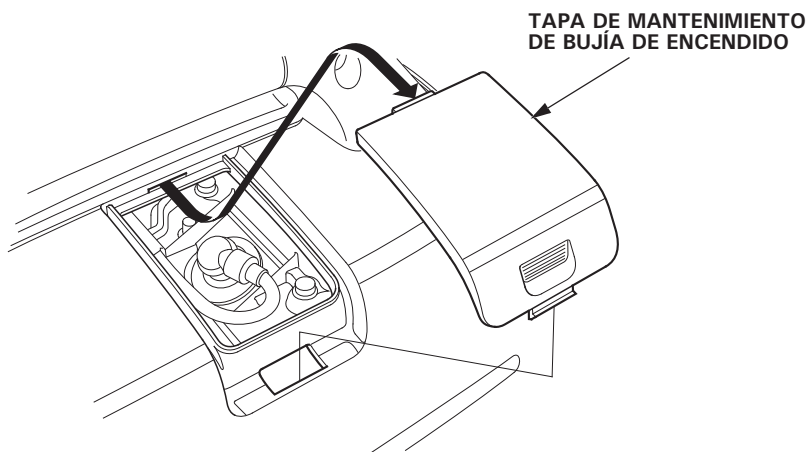
4. Vuelva a instalar los elementos principal y exterior del filtro de aire y la cubierta del filtro de aire. Apriete el tornillo de la cubierta con seguridad.
5. Vuelva a instalar la cubierta de mantenimiento y apriete con seguridad el tornillo de la cubierta.

3. MANTENIMIENTO DE LA BUJÍA DE ENCENDIDO

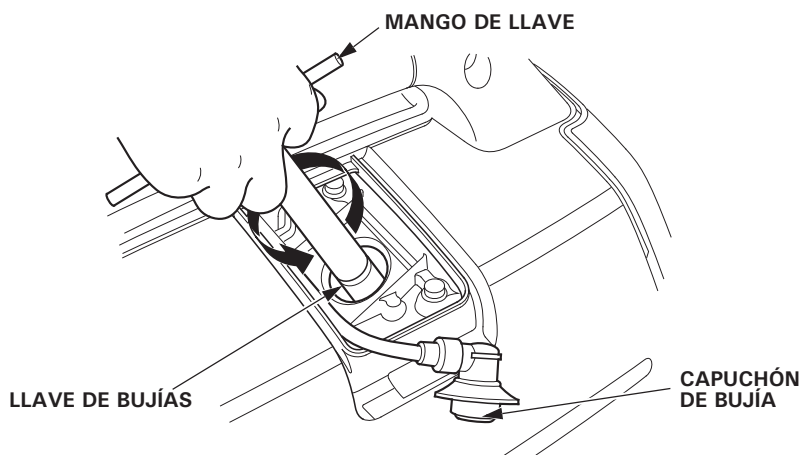
BUJÍA DE ENECENDIDO RECOMENDADA: CR5HSB (NGK)

Para asegurar un buen funcionamiento del motor, la bujía deberá estar bien puesta y limpia.

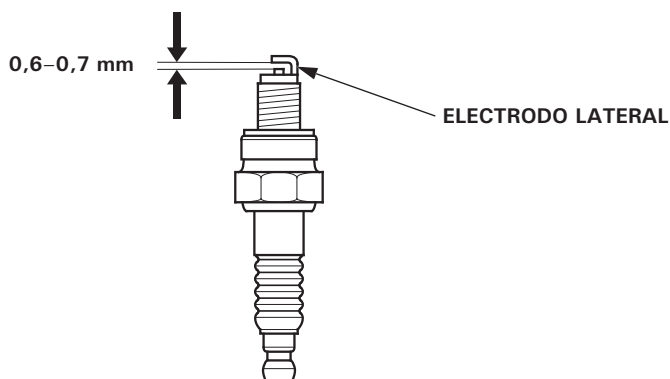
1. Extraiga la cubierta de mantenimiento de la bujía.



2. Extraer el sombrerete de la bujía.
3. Limpiar la suciedad en torno a la base de la bujía.
4. Emplee una llave de bujías para extraer la bujía.



-
5. Inspeccione visualmente la bujía. Tírela si el aislador está agrietado, partido, o muy sucio. Limpie la bujía con un cepillo de alambre si debe volver a utilizarla.
 6. Mida la separación entre los electrodos con una galga de espesores. Corrija si es necesario doblando el electrodo lateral. La separación entre los electrodos deberá ser:
0,6–0,7 mm



7. Inserte la bujía a la mano con cuidado, evitando cruzar las roscas.
8. Después de haber asentado la bujía nueva a mano, deberá apretarla 1/2 vuelta con la llave de bujías y el mango de llave suministrados para comprimir su arandela.
Si reinstala una bujía usada, sólo será necesario apretarla de 1/8 a 1/4 de vuelta después de haberla asentado.
9. Vuelva a instalar la tapa de la bujía con seguridad en la bujía.
10. Vuelva a instalar la cubierta de mantenimiento de la bujía.

PRECAUCIÓN:

- La bujía deberá apretarse bien. Si no se aprieta bien se puede calentar mucho y puede dañar el generador.
- No utilizar jamás bujías de un valor térmico inadecuado.

9. TRANSPORTE/ALMACENAJE

Para evitar que se salga el combustible cuando transporte la unidad o cuando la tenga almacenada, el generador deberá asegurarse recto en su posición normal de operación, con el interruptor del motor en la posición OFF.

La palanca de ventilación de la tapa del combustible completamente girada hacia la izquierda a la posición OFF.

Espere a que se haya enfriado bien el motor antes de girar la palanca de ventilación de la tapa del combustible a la posición OFF.

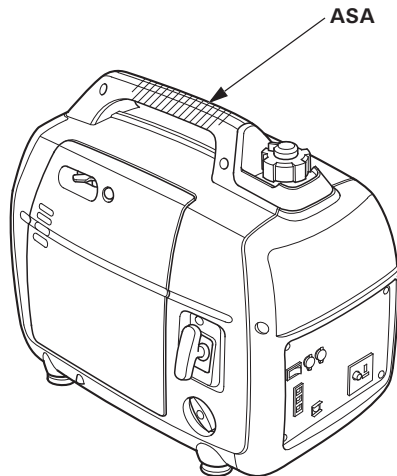
⚠ ADVERTENCIA

Cuando transporte el generador:

- **No llene excesivamente el depósito (no debe haber combustible en el cuello de relleno).**
- **No ponga en funcionamiento el generador mientras esté en un vehículo. Extraiga el generador del vehículo y empléelo en un lugar bien ventilado.**
- **Evite los lugares expuestos a la luz directa del sol cuando ponga el generador en un vehículo. Si se deja el generador en un vehículo cerrado durante muchas horas, la alta temperatura del interior del vehículo puede causar la evaporación del combustible pudiéndose producir una explosión.**
- **No circule por carreteras en mal estado durante períodos prolongados con el generador cargado en el vehículo. Si debe transportar el generador por carreteras en mal estado, drene el combustible del generador de antemano.**

NOTA:

Para transportar el generador, sujételo por la parte de sujeción (las áreas sombreadas en la figura de abajo).



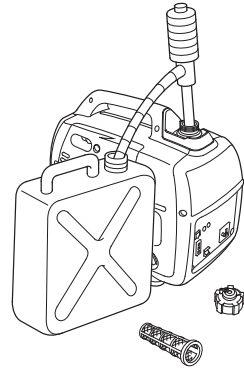
Antes de almacenar el aparato durante periodos prolongados:

1. Asegúrese de que el lugar esté exento de humedad y polvo excesivos.
2. Drene el combustible.

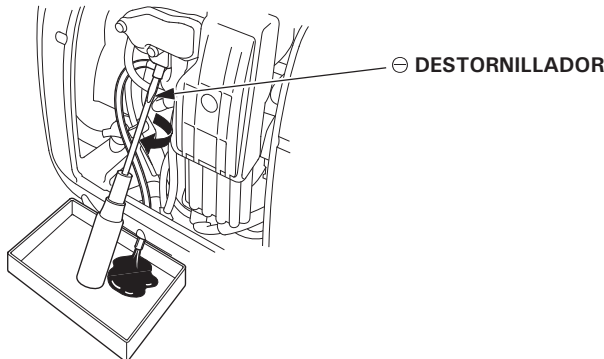
⚠ ADVERTENCIA

La gasolina es muy inflamable y explosiva bajo ciertas condiciones. Efectúe este trabajo en un lugar bien ventilado con el motor parado. No fume ni permita que haya fuego n chispas en el lugar durante este procedimiento.

- a. Desenrosque la tapa de relleno de combustible, y extraiga el filtro de combustible.
- b. Drene toda la gasolina del depósito de combustible en un recipiente homologado para gasolina. Le recomendamos emplear una bomba manual de gasolina de venta en los establecimientos del ramo. No emplee una bomba eléctrica.

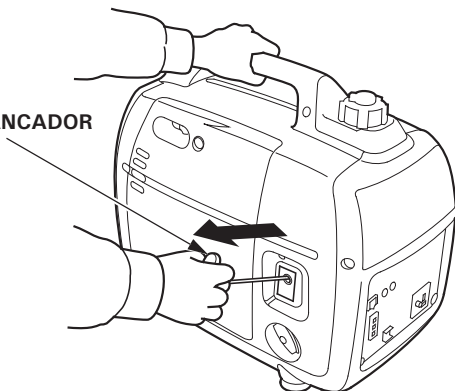


- c. Gire el interruptor del motor a la posición ON y afloje el tornillo de drenaje del carburador y drene la gasolina del carburador en un recipiente adecuado.
- d. Con el tornillo de drenaje aflojado extraiga la tapa de la bujía, y tire de la empuñadura del arrancador 3 ó 4 veces para drenar la gasolina de la bomba de combustible.
- e. Gire el interruptor del motor a la posición OFF, y apriete con seguridad el tornillo de drenaje.
- f. Vuelva a instalar la tapa de la bujía con seguridad en la bujía.



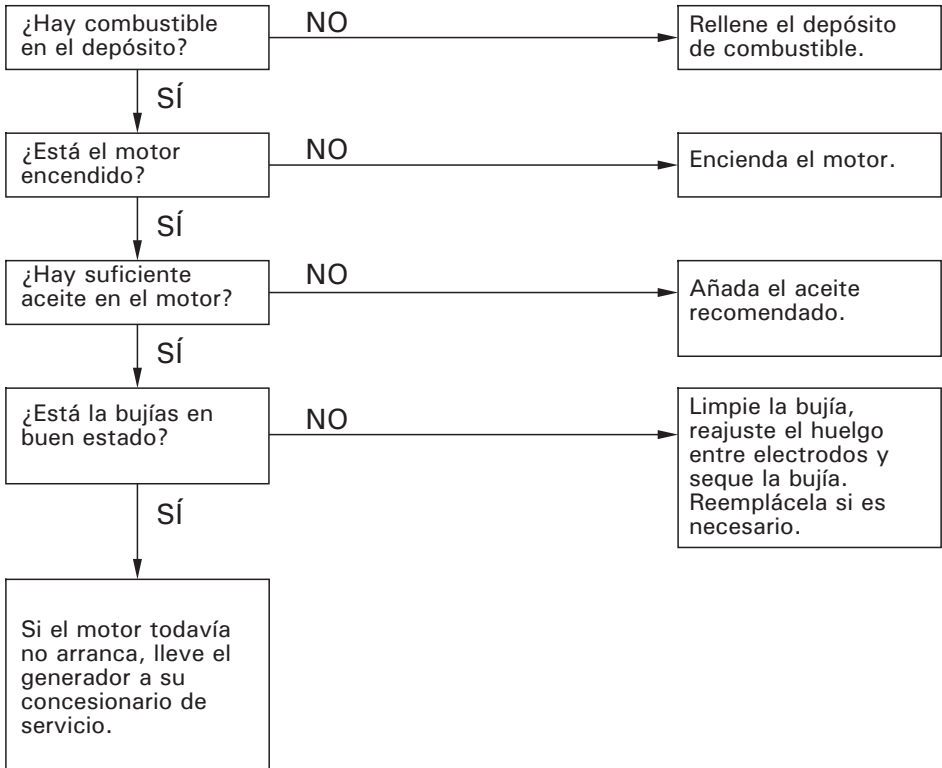
-
3. Cambiar el aceite del motor.
 4. Quitar la bujía y verter una cucharada aproximadamente de aceite de motor limpio en el cilindro. Girar el motor varias veces para distribuir el aceite y volver a instalar la bujía.
 5. Tire lentamente del asidero del arrancador hasta que se note cierta resistencia. En ese punto, el pistón está llegando a su carrera de compresión y las válvulas de admisión y escape se encuentran cerradas. Guardando el motor en esa posición ayudará a protegerlo contra la corrosión interna.

EMPUÑADURA DEL ARRANCADOR

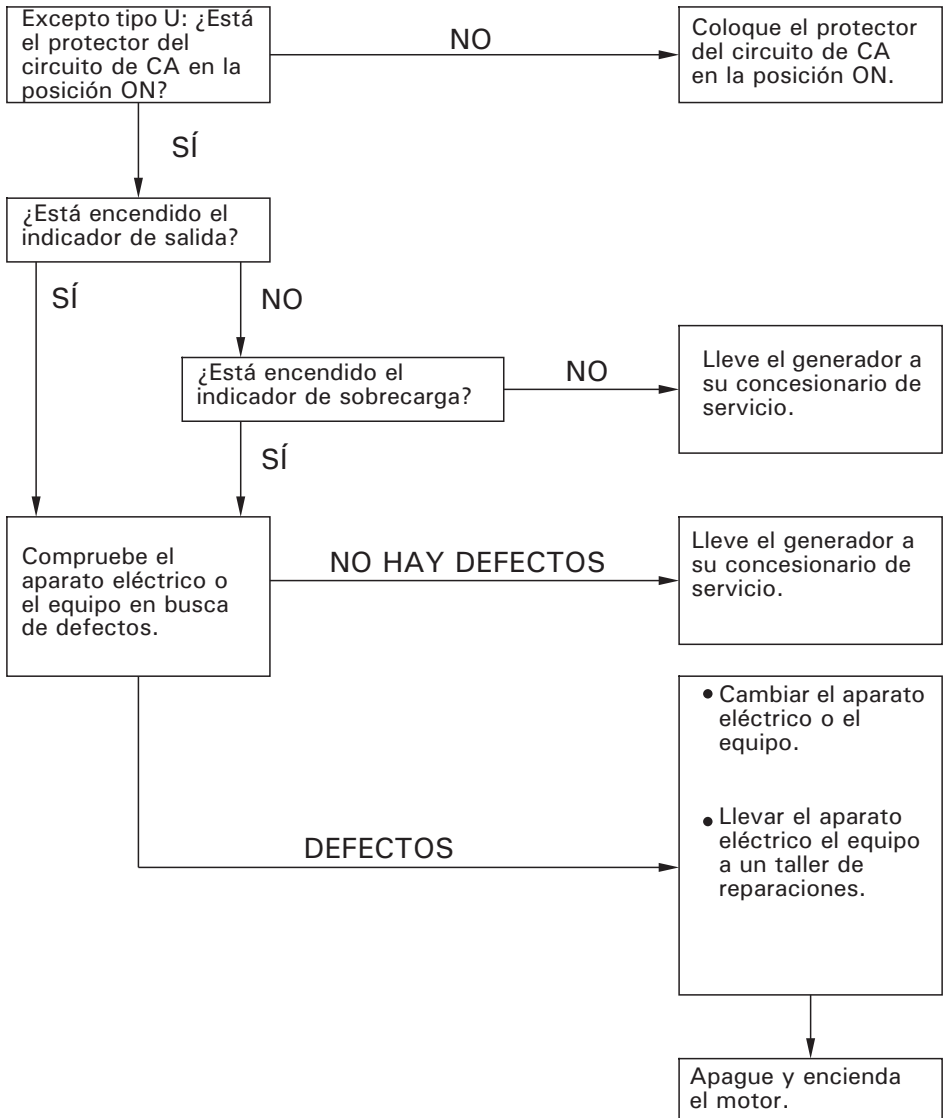


10. RESOLUCIÓN DE PROBLEMAS

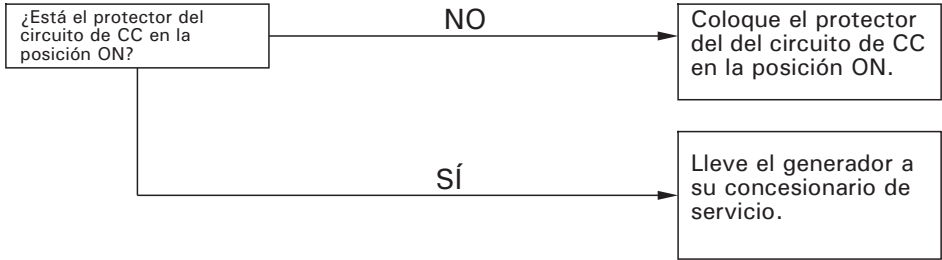
Cuando el motor no arranque:



El aparato no funciona:



No hay electricidad en el receptáculo de CC:



11. ESPECIFICACIONES

Dimensiones y peso

Modelo	EU20i	
Tipo	G, GP3, GW, B, F, W, CL, U	GW1
Código de descripción	EAAJ	
Longitud	512 mm	521 mm
Anchura	290 mm	
Altura	425 mm	
Peso en seco	20,7 kg	

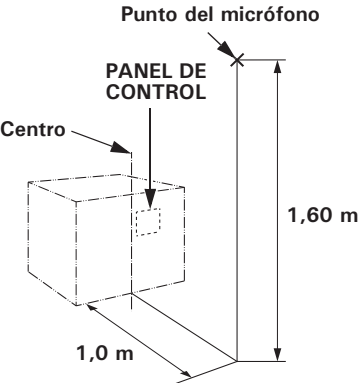
Motor

Modelo	GX100	
Tipo de motor	4 tiempos, árbol de levas en cabeza, monocilíndrico	
Cilindrada	98,5 cm ³	
Diámetro × carrera	56,0 × 40,0 mm	
Relación de compresión	8,5:1	
Régimen del motor	3.000–5.000 rpm 4.300–5.000 rpm (con interruptor de acelerador eco en posición OFF)	
Sistema de refrigeración	Ventilación forzada de aire	
Sistema de encendido	Transistor completo	
Capacidad de aceite	0,4 l	
Capacidad del depósito de combustible	3,6 l	
Bujía de encendido	CR5HSB (NGK)	

Generador

Modelo	EU20i		
Tipo	G, GP3, GW, GW1, B, F, W, CL	U	
CA salida	Tensión nominal (V)	230	240
	Frecuencia nominal (Hz)	50	
	Corriente nominal (A)	7,0	6,7
	Potencia nominal (kVA)	1,6	
	Potencia máxima (kVA)	2,0	
Salida nominal de CC	Sólo para cargar baterías de automóviles de 12 V. 12 V, 8 A		

Ruido

Modelo	EU20i	
Tipo	G, GP3, GW, GW1, B, F, W, CL	U
Nivel de presión sonora en la estación de trabajo (2006/42/CE) 	71 dB (A)	-
Incertidumbre	2 dB (A)	-
Nivel de potencia sonora medida (2000/14/CE, 2005/88/CE)	87 dB (A)	-
Incertidumbre	2 dB (A)	-
Nivel de potencia sonora garantizada (2000/14/CE, 2005/88/CE)	89 dB (A)	-

"los valores indicados son los niveles de emisiones y no son necesariamente niveles para trabajar con seguridad. Aunque existe cierta relación entre los niveles de las emisiones y los de exposición a los mismos, no pueden utilizarse de forma segura para determinar si deben tomarse precauciones adicionales. Los factores que afectan el nivel real de exposición de los trabajadores incluyen las características del local de trabajo, las otras fuentes de ruido, etc., como por ejemplo el número de máquinas y demás procesos adyacentes, y la duración durante la que un operario está expuesto al ruido. Además el nivel de exposición permisible puede variar según el país. No obstante, esta información permitirá al usuario de la máquina efectuar una mejor evaluación del peligro y del riesgo".

NOTA:

Las especificaciones están sujetas a cambios sin previo aviso.

12. DIAGRAMA DE CONEXIONES

ÍNDICE

(Vea en el interior de la cubierta posterior)

Tipos G, GP3, GW, GW1, B, F, W, CL.....	W-1
Tipo U.....	W-2

ABREVIATURAS

Símbolo	Designación
AC, CP	Protector del circuito de CA
ACOR	Receptáculo de salida de CA
(B)	Tipo B
Cot	Toma para operación en paralelo
CPB	Bloque de panel de control
DC, CP	Protector del circuito CC
DC, D	Diodo de CC
DC, NF	Filtro de ruido de CC
DCOR	Receptáculo de salida de CC
DC, W	Devanado de CC
EcoSw	Interruptor de acelerador Eco
EgB	Bloque del motor
EgG	Tierra del motor
ESw	Interruptor del motor
ExW	Devanado del excitador
FrB	Bloque del bastidor
FrG	Bastidor de masa
(F)	Tipo F
(G)	Tipos G, GW, GW1, GP3, CL
GeB	Bloque del generador
GT	Terminal de tierra
IgC	Bobina de encendido
IU	Variador
MW	Devanado principal
OAL	Indicador de aviso del aceite
OI	Indicador de sobrecarga
OLSw	Interruptor de nivel de aceite
PC	Bobina del generador de impulsos
PL	Indicador de salida
RBx	Caja de receptáculos para Operación en paralelo
SP	Bujía de encendido
SpU	Parachispas





Símbolo	Designación
StpM	Motor eléctrico de paso a paso (Control del acelerador)
SW	Subdevanado
To Ge	Al generador
(W)	Tipo W

CÓDIGO DE COLORES DE CABLES

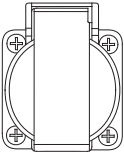

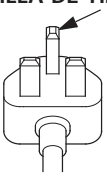
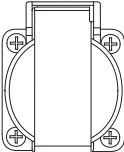

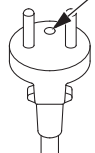
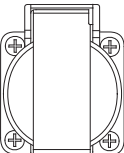

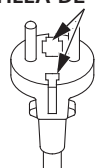
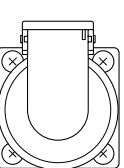
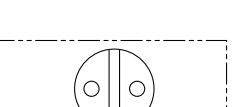
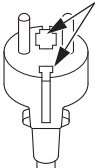
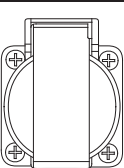

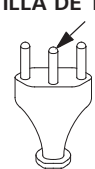
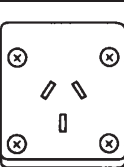

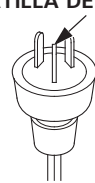
Bl	NEGRO
Y	AMARILLO
Bu	AZUL
G	VERDE
R	ROJO
W	BLANCO
Br	MARRÓN
Lg	VERDE CLARO
Gr	GRIS
Sb	AZUL CIELO
O	NARANJA
P	ROSA

CONEXIONES DE INTERRUPTORES

INTERRUPTOR DE ACELERADOR ECO

	COM (-)	SW
ON  		
OFF 		

RECEPTÁCULO

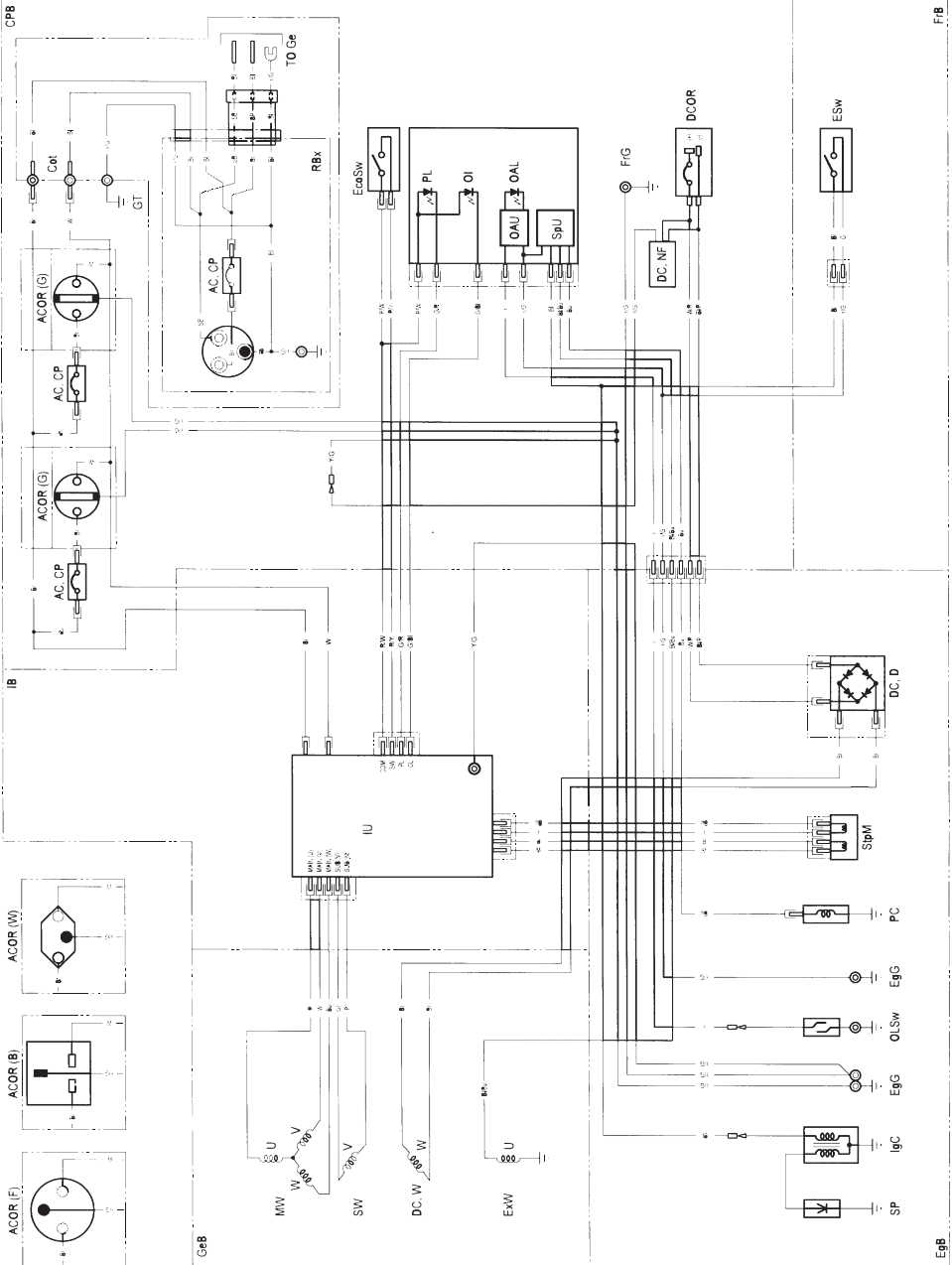
Tipo	Forma		Clavija
B			PATILLA DE TIERRA 
F			PATILLA DE TIERRA 
G, GP3, GW, CL			PATILLA DE TIERRA 
GW1			PATILLA DE TIERRA 
W			PATILLA DE TIERRA 
U			PATILLA DE TIERRA 

WIRING DIAGRAM

SCHÉMA DE CABLAGE

SCHALTPLAN

DIAGRAMA DE CONEXIONES



MAJOR Honda DISTRIBUTOR ADDRESSES

For further information, please contact Honda Customer Information Centre at the following address or telephone number:

ADRESSES DES PRINCIPAUX DISTRIBUTEURS Honda

Pour plus d'informations, s'adresser au Centre d'informations clients Honda à l'adresse ou numéro de téléphone suivants:

ADRESSEN DER HAUPT-Honda-VERTEILER

Weitere Informationen erhalten Sie gerne vom Honda-Kundeninformationszentrum unter der folgenden Adresse oder Telefonnummer:

DIRECCIONES DE LOS PRINCIPALES CONCESIONARIOS Honda

Para obtener más información, póngase en contacto con el Centro de información para clientes Honda en la dirección o número de teléfono siguientes:

AUSTRIA

Honda Austria GmbH

Hondastraße 1

2351 Wiener Neudorf

Tel. : +43 (0)2236 690 0

Fax : +43 (0)2236 690 480

<http://www.honda.at>

✉ HondaPP@honda.co.at

BALTIC STATES (Estonia/Latvia/ Lithuania)

Honda Motor Europe Ltd.

Estonian Branch

Tulika 15/17

10613 Tallinn

Tel. : +372 6801 300

Fax : +372 6801 301

✉ honda.baltic@honda-eu.com.

BELGIUM

Honda Belgium

Doornveld 180-184

1731 Zellik

Tel. : +32 2620 10 00

Fax : +32 2620 10 01

<http://www.honda.be>

✉ BH_PE@HONDA-EU.COM

BULGARIA

Kirov Ltd.

49 Tsaritsa Yoana blvd

1324 Sofia

Tel. : +359 2 93 30 892

Fax : +359 2 93 30 814

<http://www.kirov.net>

✉ honda@kirov.net

CROATIA

Hongoldonia d.o.o.

Vrbaska 1c

31000 Osijek

Tel. : +38531320420

Fax : +38531320429

<http://www.hongoldonia.hr>

✉ prodaja@hongoldonia.hr

CYPRUS

**Alexander Dimitriou & Sons
Ltd.**

162, Yiannos Kranidiotis

Avenue

2235 Latsia, Nicosia

Tel. : +357 22 715 300

Fax : +357 22 715 400

CZECH REPUBLIC

BG Technik cs, a.s.

U Zavodiste 251/8

15900 Prague 5 - Velka

Chuchle

Tel. : +420 2 838 70 850

Fax : +420 2 667 111 45

<http://www.honda-stroje.cz>

DENMARK

Tima Products A/S

Tårnfalkevej 16

2650 Hvidovre

Tel. : +45 36 34 25 50

Fax : +45 36 77 16 30

<http://www.tima.dk>

FINLAND

OY Brandt AB.

Tuupakantie 7B

01740 Vantaa

Tel. : +358 207757200

Fax : +358 9 878 5276

<http://www.brandt.fi>

FRANCE

Honda Relations Clients

TSA 80627

45146 St Jean de la Ruelle Cedex

Tel. : 02 38 81 33 90

Fax : 02 38 81 33 91

<http://www.honda-fr.com>

✉ espaceclient@honda-eu.com

GERMANY

**Honda Deutschland
GmbH**

Sprendlinger Landstraße 166

63069 Offenbach am Main

Tel. : 01 80 5/20 20 90

Fax : +49 69 8320 20

<http://www.honda.de>

✉ info@post.honda.de

GREECE

Saracakis Brothers S.A.

71 Leoforos Athinon

10173 Athens

Tel. : +30 210 3497809

Fax : +30 210 3467329

<http://www.honda.gr>

✉ info@saracakis.gr

HUNGARY

Motor Pedo Co., Ltd.

Kamaraerdei ut 3.

2040 Budaors

Tel. : +36 23 444 971

Fax : +36 23 444 972

<http://www.hondakisgepek.hu>

✉ info@hondakisgepek.hu

ICELAND

Bernhard ehf.

Vatnagarðar 24-26

104 Reykjavík

Tel. : +354 520 1100

Fax : +354 520 1101

<http://www.honda.is>

IRELAND

Two Wheels Ltd

M50 Business Park, Ballymount

Dublin 12

Tel. : +353 1 4381900

Fax : +353 1 4607851

<http://www.hondaireland.ie>

✉ Service@hondaireland.ie

ITALY

Honda Italia Industriale S.p.A.

Via della Cecchignola, 13

00143 Roma

Tel. : +848 846 632

Fax : +39 065 4928 400

<http://www.hondaitalia.com>

✉ info.power@honda-eu.com

MALTA

The Associated Motors

Company Ltd.

New Street in San Gwakklin Road

Mriehel Bypass, Mriehel QRM17

Tel. : +356 21 498 561

Fax : +356 21 480 150

NETHERLANDS

Honda Nederland B.V.

Afd. Power Equipment

Capronilaan 1

1119 NN Schiphol-Rijk

Tel. : +31 20 7070000

Fax : +31 20 7070001

<http://www.honda.nl>

NORWAY

Berema AS

P.O. Box 454

1401 Ski

Tel. : +47 64 86 05 00

Fax : +47 64 86 05 49

<http://www.berema.no>

✉ berema@berema.no

POLAND

Aries Power Equipment Sp. z o.o.

ul. Wroclawska 25

01-493 Warszawa

Tel. : +48 (22) 861 43 01

Fax : +48 (22) 861 43 02

<http://www.ariespower.pl>

<http://www.mojahonda.pl>

✉ info@ariespower.pl

PORTUGAL

Honda Portugal, S.A.

Rua Fontes Pereira de Melo 16

Abrunheira, 2714-506 Sintra

Tel. : +351 21 915 53 33

Fax : +351 21 915 23 54

<http://www.honda.pt>

✉ honda.produtos@honda-eu.com

REPUBLIC OF BELARUS

Scanlink Ltd.

Kozlova Drive, 9

220037 Minsk

Tel. : +375 172 999090

Fax : +375 172 999900

<http://www.hondapower.by>

ROMANIA

Hit Power Motor Srl

str. Vasile Stroescu nr. 12,

Camera 6, Sector 2

021374 Bucuresti

Tel. : +40 21 637 04 58

Fax : +40 21 637 04 78

<http://www.honda.ro>

✉ hit_power@honda.ro

RUSSIA

Honda Motor RUS LLC

1, Pridirizhnaya Street, Sharapovo settlement, Naro-Fominsky district,

Moscow Region, 143350 Russia

Tel. : +7 (495) 745 20-80

Fax : +7 (495) 745 20 81

<http://www.honda.co.ru>

✉ postoffice@honda.co.ru

SERBIA & MONTENEGRO

BPP Group d.o.o.

Generala Horvatovica 68

11000 Belgrade

Tel. : +381 11 3820 295

Fax : +381 11 3820 296

<http://www.hondasrbija.co.rs>

✉ honda@bazis.co.rs

SLOVAK REPUBLIC

Honda Slovakia, spol. s r.o.

Prievozká 6

821 09 Bratislava

Tel. : +421 2 32131112

Fax : +421 2 32131111

<http://www.honda.sk>

SLOVENIA

AS Domzale Moto Center D.O.O.

Blatnica 3A

1236 Trzin

Tel. : +386 1 562 22 62

Fax : +386 1 562 37 05

www.honda-as.com

✉ infomacije@honda-as.com

SPAIN & Las Palmas province (Canary Islands)

Greens Power Products, S.L.

Poligono Industrial Congost -

Av Ramon Cuirans n°2

08530 La Garriga - Barcelona

Tel. : +34 93 860 50 25

Fax : +34 93 871 81 80

<http://www.hondaencasa.com>

Tenerife province

(Canary Islands)

Automocion Canarias S.A.

Carretera General del Sur, KM. 8,8

38107 Santa Cruz de Tenerife

Tel. : +34 (922) 620 617

Fax : +34 (922) 618 042

<http://www.aucasa.com>

✉ ventas@aucasa.com

✉ taller@aucasa.com

SWEDEN

Honda Nordic AB

Box 31002 - Långhusgatan 4

215 86 Malmö

Tel. : +46 (0)40 600 23 00

Fax : +46 (0)40 600 23 19

<http://www.honda.se>

✉ hpesinfo@honda-eu.com

SWITZERLAND

Honda Suisse S.A.

10, Route des Moulières

1214 Vernier - Genève

Tel. : +41 (0)22 939 09 09

Fax : +41 (0)22 939 09 97

<http://www.honda.ch>

TURKEY

Anadolu Motor Uretim ve

Pazarlama AS

Esentepe mah. Anadolu

cad. No: 5

Kartal 34870 Istanbul

Tel. : +90 216 389 59 60

Fax : +90 216 353 31 98

<http://www.anadolumotor.com.tr>

✉ antor@antor.com.tr

UKRAINE

Honda Ukraine LLC

101 Volodymyrska Str. - Build. 2

Kyiv 01033

Tel. : +380 44 390 14 14

Fax : +380 44 390 14 10

<http://www.honda.ua>

✉ CR@honda.ua

UNITED KINGDOM

Honda (UK) Power Equipment

470 London Road

Slough - Berkshire, SL3 8QY

Tel. : +44 (0)845 200 8000

<http://www.honda.co.uk>

AUSTRALIA

Honda Australia Motorcycle and
Power Equipment Pty. Ltd

1954-1956 Hume Highway

Campbellfield Victoria 3061

Tel. : (03) 9270 1111

Fax : (03) 9270 1133

"EC Declaration of Conformity" CONTENT OUTLINE
"CE-Déclaration de conformité" DESCRIPTION DE TABLE DES MATIERES
"EU-Konformitätserklärung" INHALTSÜBERSICHT
DESCRIPCIÓN GENERAL DEL CONTENIDO DE LA "Declaración de Conformidad CE"
DESCRIZIONE DEL CONTENUTO DELLA "Dichiarazione CE di Conformità"

EC Declaration of Conformity

1. The undersigned, Piet Renneboog, on behalf of the authorized representative, herewith declares that the machinery described below fulfils all the relevant provisions of:

- Directive 2006/42/EC on machinery
- Directive 2004/108/EC on electromagnetic compatibility
- Directive 2000/14/EC – 2005/88/EC on outdoor noise

2. Description of the machinery

- a) Generic denomination: Generating sets
 b) Function: producing electrical power

c) Commercial name	d) Type	e) Serial number
*1	*1	

3. Manufacturer

Honda Motor Co., Ltd.
 2-1-1 Minamiaoyama
 Minato-ku, Tokyo, JAPAN

4. Authorized representative

Honda Motor Europe Ltd. Aalst Office
 Wijngaardveld 1 (Noord V),
 9300 Aalst – BELGIUM

5. References to harmonized standards	6. Other standards or specifications
EN 12601:2010	-

7. Outdoor noise Directive

- a) Measured sound power dB(A): *1
 b) Guaranteed sound power dB(A): *1
 c) Noise parameter: *1
 d) Conformity assessment procedure: ANNEX VI
 e) Notified body: AIB-VINCOTTE International nv
 Jan Olieslagerslaan 35
 B-1800 Vilvoorde BELGIUM
 Aalst , BELGIUM

8. Done at:

9. Date:

 Piet Renneboog
 Homologation Manager
 Honda Motor Europe, Ltd., Aalst Office

*1: see specification page.

*1: voir page de spécifications

*1: Siehe Spezifikationen-Seite

*1: consulte la página de las
 especificaciones

*1: vedi la pagina delle caratteristiche
 tecniche

<p>Français (French) Déclaration CE de Conformité 1. Le sous signé, Piet Renneboog, de la part du représentant autorisé, déclare que la machine décrit ci-dessous répond à toutes les dispositions applicables de * Directive Machine 2006/42/CE * Directive 2004/108/CE sur la compatibilité électromagnétique * Directive 2000/14/CE - 2005/88/CE des émissions sonores dans l'environnement des matériels destinés à être utilisé à l'extérieur des bâtiments 2. Description de la machine a) Denomination générique : Générateur b) Fonction : produire du courant électrique c) Nom Commercial d) Type e) Numéro de série 3. Constructeur 4. Représentant autorisé 5. Référence aux normes harmonisées 6. Autres normes et spécifications 7. Directives des émissions sonores dans l'environnement des matériels destinés à être utilisé à l'extérieur des bâtiments a) Puissance acoustique mesurée b) Puissance acoustique garantie c) Paramètre du bruit d) Procédure d'évaluation de conformité e) Organisme notifié 8. Fait à 9. Date</p>	<p>Italiano (Italian) Dichiarazione CE di Conformità 1. Il sottoscritto, Piet Renneboog, in qualità di rappresentante autorizzato, dichiara qui di seguito che la macchina sotto descritta soddisfa tutte le disposizioni pertinenti delle: * Direttiva macchine 2006/42/CE * Direttiva sulla compatibilità elettromagnetica 2004/108/CE * Direttiva sulla emissione acustica delle macchine e attrezzature destinate a funzionare all'aperto 2000/14/CE - 2005/88/CE 2. Descrizione della macchina a) Denominazione generica : Generatore b) Funzione : Produzione di energia elettrica c) Denominazione commerciale d) Tipo e) Numero di serie 3. Costruttore 4. Rappresentante Autorizzato 5. Riferimento agli standard armonizzati 6. Altri standard o specifiche 7. Direttiva sulla emissione acustica delle macchine e attrezzature destinate a funzionare all'aperto a) Livello di potenza sonora misurato b) Livello di potenza sonora garantito c) Parametri emissione acustica d) Procedura di valutazione della conformità e) Organismo notificato 8. Fatto a 9. Data</p>	<p>Deutsch (German) EG-Konformitätserklärung 1. Der Unterzeichner, Piet Renneboog erklärt hiermit im Namen der Bevollmächtigten, dass das hierunter genannte Maschine allen einschlägigen Bestimmungen der * entspricht. * Maschinenrichtlinie 2006/42/EG * Richtlinie der Elektromagnetischen Kompatibilität 2004/108/EG * Geräuschrichtlinie im Freien 2000/14EG - 2005/88/EG 2. Beschreibung der Maschine a) Allgemeine Bezeichnung : Stromerzeuger b) Funktion : Strom produzieren c) Handelsbezeichnung d) Typ e) Seriennummer 3. Hersteller 4. Bevollmächtigter 5. Verweis auf harmonisierte Normen 6. Andere Normen oder Spezifikationen 7. Geräuschrichtlinie im Freien a) gemessene Lautstärke b) Schalleistungspegel c) Geräuschvorgabe d) Konformitätsbewertungs Ablauf e) Benannte Stelle 8. Ort 9. Datum</p>
<p>Nederlands (Dutch) EG-verklaring van overeenstemming 1. Ondergetekende, Piet Renneboog, in naam van de gemachtigde van de fabrikant, verklaart hiermee dat het hieronder beschreven machine voldoet aan alle toepasselijke bepalingen van : * Richtlijn 2006/42/EG betreffende machines * Richtlijn 2004/108/EG betreffende elektromagnetische overeenstemming * Richtlijn 2000/14/EG - 2005/88/EG betreffende geluidsemissie (openlucht) 2. Beschrijving van de machine a) Algemene benaming : Generator b) Functie : elektriciteit produceren c) Handelsbenaming d) Type e) Seriennummer 3. Fabrikant 4. Gemachtigde van de fabrikant 5. Refereert naar geharmoniseerde normen 6. Andere normen of specificaties 7. Geluidsemissierichtlijn (openlucht) a) Gemeten geluidsvormogenniveau b) Gewaarborgd geluidsvormogenniveau c) Geluidspanometer d) Conformiteitsbeoordelingsprocedure e) Aangemelde instantie 8. Plaats 9. Datum</p>	<p>Dansk (Danish) EF OVERENSTEMMELSEERKLÆRING 1. UNDERTEGNEDE, PIET RENNEBOOG, PÅ VEGNE AF DEN AUTORISEREDE REPRÆSENTANT, ERKLÆRER HERMED AT MASKINEN, SOM ER BESKREVET NEDENFOR, OPFYLDER ALLE RELEVANTE BESTEMMELSER IFØLGE: * MASKINDIREKTIV 2006/42/EF * EMC-DIREKTIV 2004/108/EF * DIREKTIV OM STØJEMMISSION 2000/14/EF - 2005/88/EF 2. BESKRIVELSE AF PRODUKTET a) FÆLLESBETEGNELSE : Generator b) ANVENDELSE : Produktion af elektricitet c) HANDELSBETEGNELSE d) TYPE e) SERIENUMMER 3. PRODUCENT 4. AUTORISERET REPRÆSENTANT 5. REFERENCE TIL HARMONISEREDE STANDARDER 6. ANDRE STANDARDER ELLER SPECIFIKATIONER 7. DIREKTIV OM STØJEMMISSION FRA MASKINER TIL UDENDØRS BRUG a) MÅLT LYEFFEKTNIVEAU b) GARANTERET LYEFFEKTNIVEAU c) STØJPARAMETER d) PROCEDURE FOR OVERENSTEMMELSESVURDERING e) BEMYNDIGET ORGAN 8. STED 9. DATO</p>	<p>Ελληνικά (Greek) ΕΚ-Δήλωση συμμόρφωσης 1. Ο κάτωθι υπογεγραμμένος „Piet Renneboog, εκ μέρους του εξουσιοδοτημένου αντιπροσώπου με το παρόν δηλώνω ότι το παρακάτω περιγραφόμενο όχημα πληροί όλες τις σχετικές προδιαγραφές του: * Οδηγία 2006/42/ΕΚ για μηχανές * Οδηγία 2004/108/ΕΚ για την ηλεκτρομαγνητική συμβατότητα * Οδηγία 2000/14/ΕΚ - 2005/88/ΕΚ για το επίπεδο θορύβου σε εξωτερικούς χώρους. 2. Περιγραφή μηχανήματος a) Γενική ονομασία : Ηλεκτοπαραγωγό ζεύγος b) Λειτουργία : για παραγωγή ηλεκτρικής ενέργειας c) Εμπορική ονομασία d) Τύπος e) Αριθμός σειράς παραγωγής 3. Κατασκευαστής 4. Εξουσιοδοτημένος αντιπρόσωπος 5. Αναφορά σε εναρμονισμένα πρότυπα 6. Λοιπά πρότυπα ή προδιαγραφές 7. Οδηγία επιπέδου θορύβου εξωτερικών χώρων a) Μετρηθείσα ηχητική ένταση b) Εγγυημένη ηχητική ένταση c) Ηχητική παράμετρος d) Διαδικασία πιστοποίησης e) Οργανισμός πιστοποίησης 8. Η δοκιμή έγινε 9. Ημερομηνία</p>
<p>Svenska (Swedish) EG-försäkran om överensstämmelse 1. Undertecknad, Piet Renneboog, på uppdrag av auktoriserad representant, deklarerar härmed att maskinen beskriven nedan fullföljer alla relevanta bestämmelser enligt: * Direktiv 2006/42/EG gällande maskiner * Direktiv 2004/108/EG gällande elektromagnetisk kompatibilitet * Direktiv 2000/14/EG - 2005/88/EG gällande buller utomhus 2. Maskinbeskrivning a) Allmän benämning : Elverk b) Funktion : producera el c) Och varunamn d) Typ e) Serienummer 3. Tillverkare 4. Auktoriserad representant 5. referens till överensstämmande standarder 6. Andra standarder eller specifikationer 7. Direktiv för buller utomhus a) Uppmått ljudnivå b) Garanterad ljudnivå c) Buller parameter d) Förfarande för bedömning e) Anmälda organ 8. Utfärdad vid 9. Datum</p>	<p>Español (Spanish) Declaración de Conformidad CE 1. El abajo firmante, Piet Renneboog, en representación del representante autorizado, adjunto declara que la máquina abajo descrita, cumple las cláusulas relevantes de: * Directiva 2006/42/CE de maquinaria * Directiva 2004/108/CE de compatibilidad electromagnética * Directiva 2000/14/CE - 2005/88/CE de ruido exterior 2. Descripción de la máquina a) Denominación genérica : Generador b) Función : Producción de electricidad c) Denominación comercial d) Tipo e) Número de serie 3. Fabricante 4. Representante autorizado 5. Referencia de los estándar armonizados 6. Otros estándar o especificaciones 7. Directiva sobre ruido exterior a) Potencia sonora Medida b) Potencia sonora Garantizada c) Parámetros ruido d) Procedimiento evaluación conformidad e) Organismo notificado 8. Realizado en 9. Fecha</p>	<p>Română (Romanian) CE -Declaratie de Conformitate 1. Subsemnatul Piet Renneboog, in numele reprezentantului autorizat, declar prin prezenta faptul ca echipamentul descris mai jos indeplineste toate conditiile necesare din: * Directiva 2006/42/CE privind echipamentul * Directiva 2004/108/CE privind compatibilitatea electromagnetica * Directiva 2000/14/CE - 2005/88/CE privind poluarea fonica in spatiu deschis 2. Descrierea echipamentului a) Denumire generica : Motogenerator electric b) Domeniul de utilizare : generarea energiei electrice c) Denumire comerciala d) Tip e) Serie produs 3. Producator 4. Reprezentantul Autorizat 5. Referinta la standardele armonizate 6. Alte standarde sau norme 7. Directiva privind poluarea fonica in spatiu inchis a) Puterea acustica masurata b) Putere acustica maxim garantata c) Indice poluare fonica d) Procedura de evaluare a conformitatii e) Notificari 8. Emisa la 9. Data</p>

<p>Lietuvių kalba (Lithuanian) EB atitikties deklaracija</p> <p>1. Įgaliotojo atstovo vardu pasirašęs Piet Renneboog patvirtina, kad žemiau aprašyta mašina atitinka visas įsvardintų direktyvų nuostatas:</p> <ul style="list-style-type: none"> * Mechanizmų direktyva 2006/42/EB * Elektromagnetinio suderinamumo direktyva 2004/108/EB * Triukšmo lauke direktyva 2000/14/EB - 2005/88/EB <p>2. Prietaiso aprašymas</p> <p>a) Bendras pavadinimas : Generatorius b) Funkcija : elektros energijos gaminimas c) Komercinis pavadinimas d) Tipas e) Serijos numeris 3. Gamintojas 4. Įgaliotasis atstovas 5. Nuorodos į suderintus standartus 6. Kiti standartai ir specifikacija 7. Triukšmo lauke direktyva a) Išmatuotas garso galingumo lygis b) Garantuojamas garso galingumo lygis c) Triukšmo parametras d) Tipas e) Registruota įstaiga 8. Vieta 9. Data</p>	<p>Български (Bulgarian) ЕО декларация за съответствие</p> <p>1. Долоподписаният Пайът Ренебург, от името на упълномощения представител, с настоящото декларирам, че машините, описани по-долу, отговарят на всички съответни разпоредби на:</p> <ul style="list-style-type: none"> * Директива2006/42/ЕО относно машините * Директива 2004/108/ЕО относно електромагнитната съвместимост Директива 2000/14/ЕО - 2005/88/ЕО относно шумовите емисии на съоръжения, предназначени за употреба извън сградите <p>2. Описание на машините</p> <p>a) Общо наименование : Генераторен комплект b) Фунция : производство на електроенергия c) Търговско наименование d) Тип e) Серийн номер 3. Производител 4. Упълномощен представител 5. Съответствие с хармонизирани стандарти 6. Други стандарти или спецификации 7. Директива относно шумовите емисии на съоръжения, предназначени за употреба извън сградите a) Измерена звукова мощност b) Гарантирана звукова мощност c) Параметърът шум d) Процедура за оценка на съответствието e) Нотифициран орган 8. Място на изготвяне 9. Дата на изготвяне</p>	<p>Norsk (Norwegian) EF- Samsvarserklæring</p> <p>1.Undertegnede Piet Renneboog på vegne av autorisert representant herved erklærer at maskinene beskrevet nedenfor innfrir relevant informasjon fra følgende forskrifter.</p> <ul style="list-style-type: none"> * Maskindirektiv 2006/42/EF * Direktiv EMC: 2004/108/EF Elektromagnetisk kompatibilitet * Direktiv om støyt utendørs 2000/14/EF - 2005/88/EF <p>2. Beskrivelse av produkt a) Felles benevnelse : Generator b) Funksjon : Produsere strøm c) Handelsnavn d) Type e) Serienummer 3. Produsent 4. Autorisert representant 5. Referanse til harmoniserte standarder 6. Øvrige standarder eller spesifikasjoner 7. Utendørs direktiv får støyt a) Målt støyt b) Maks støyt c) Konstant støyt d) Verdi vurderings prosedyre e) Gjeldene kjøretøy/kropp/stamme/skrog 8. Sted 9. Dato</p>
<p>Türk (Turkish) AT Uygunluk Beyanı</p> <p>1. Aşağıda imzası bulunan Piet Renneboog, yetkili temsilci adına, bu yazıyla birlikte aşağıdaki makine ile ilgili tüm hükümlülüklerin yerine getirildiğini beyan etmektedir. * Makina Emniyet Yönetmeliği 2006/42/AT</p> <ul style="list-style-type: none"> * Elektromanyetik Uyumluluk Yönetmeliği 2004/108/AT * Açık Alanda Kullanılan Teçizat Tarafından Oluşturulan Çevredeki Gürültü Emisyonu İle İlgili Yönetmelik 2000/14/AT-2005/88/AT <p>2. Makinanın tanıtı</p> <p>a) Kapsamlı adlandırma: Jeneratör grubu b) İşlevi : Elektrik gücü üretimi c) Ticari adı d) Tipi e) Seri numarası 3. İmalatçı 4. Yetkili temsilci 5. Uyumlaştırılmış standartlara atıf 6. Diğer standartlar veya spesifikasyonlar 7. Açık alan gürültü Yönetmeliği a) Ölçülen ses gücü b) Garanti edilen ses gücü c) Gürültü parametresi d) Uygunluk değerlendirme prosedürü e) Onaylanmış kuruluş 8. Beyanın yeri : 9. Beyanın tarihi :</p>	<p>Íslenska (Icelandic) EB-Samræmisvirkisýsing</p> <p>1. Undirritaður Piet Renneboog staðfestir hér með fyrir hönd löggilfra aðila að upplýsingar um vélbúnað hér að neðan eru tæmandi hvað varðar alla tilheyrandi mátaflokk, svo sem</p> <ul style="list-style-type: none"> *Leiðbeiningar fyrir vélbúnað 2006/42/EB *Leiðbeiningar fyrir rafsegulvið 2004/108/EB *Leiðbeiningar um hávaðamengun 2000/14/EB-2005/88/EB <p>2. Lýsing á vélbúnaði</p> <p>a) Flokkur : Rafstöðvar b) Virkni : Framleiðsla á rafmagni c) Nafn d) Tegund e) Séríal númer 3. Framleiðandi 4. Löggildir aðilar 5. Tilvísun um heildar staðal 6. Aðrir staðlar eða sérstöður 7. Leiðbeiningar um hávaðamengun a) Mældur hávaða styrkur b) Staðfestur hávaða styrkur c) Hávaða breytileiki d) Staðfesting á gæðastöðlum e) Merkingar 8. Gert hjá 9. Dagsetning</p>	<p>Hrvatski(Croatian) EK Izjava o sukkladnosti</p> <p>1. Potpisani, Piet Renneboog, u ime ovlaštenog predstavnika, ovime izjavljuju da strojevi navedeni u nastavku ispunjavaju sve važne odredbe:</p> <ul style="list-style-type: none"> * Propisa za strojeve 2006/42/EK * Propisa o elektromagnetskoj kompatibilnosti 2004/108/EK * Propisa o buci na otvorenome 2000/14/EK-2005/88/EK <p>2. Opis strojeva a) Opća vrijednost : Agregat b) Funkcionalnost : proizvod električnu energiju c) Komercijalni naziv d) Tip e) Serijski broj 3. Proizvođač 4. Ovlašteni predstavnik 5. Reference na usklađene norme 6. Ostale norme i specifikacije 7. Propis o buci na otvorenome a) Izmjerena jačina zvuka b) Zajamčena jačina zvuka c) Parametar buke d) Postupak za ocjenu sukkladnosti e) Obavješteno tijelo 8. U 9. Datum</p>

HONDA
The Power of Dreams

36Z07617
00X36-Z07-6170

EN1

英

仏

独

西

Y

FM

© Honda Motor Co., Ltd. 2012

10000.2012.10

Printed in China