



Datasheet

AX9 POWER | PAR



The AX9 utilizes the AX5's successful 3-in-1 concept which allows it to be used as wireless light and elegant uplight as well as a wired PAR light for longer or bigger installations. This makes it an extremely cost-efficient light and keeps your investment to a minimum. The AX9 packs extreme brightness in a compact and light housing while still giving you industry-leading colors and white tones thanks to its Titan LED Engine.



Max 20h



Wireless DMX



IP65



App

SPECIFICATIONS

| | AX9 |
|------------------------------|---|
| Order Code | AX9 |
| LED Engine | Titan LED Engine |
| Colors | RGBMintAmber |
| Total LED Power | 105 W |
| LED Power Draw | 70 W |
| Luminous Flux 2700K | 2 844 Lumens |
| Luminous Flux 3200K | 3 214 Lumens |
| Luminous Flux 5500K | 3 047 Lumens |
| Light Output 2700 K @ 1m | 41 755 Lux |
| Light Output 3200 K @ 1m | 47 078 Lux |
| Light Output 5500 K @ 1m | 44 355 Lux |
| CRI (Ra)/ TLCI 3200- 6500 K* | ≥96 |
| Beam Angle | 13° |
| Field Angle | 25° |
| Strobe | 0 - 25 Hertz |
| Pixels | 1 |
| Battery Runtime | up to 20 hours |
| Battery Lifetime | 70 % after 300 cycles |
| Charging Time (nominal) | 5 hours |
| AC Input | 100-240 VAC, 50/60 Hertz, 2.3 A/115 VAC, 1.1 A/230 VAC, 110 W |
| AC Connector | PowerCON TRUE1 IN/OUT |
| Wired DMX | Yes (5-pin XLR) |
| CRMX Receiver | Built-in |
| BluetoothBridge BTB | Built-in |
| Wireless Protocols | CRMX, UHF, Bluetooth, WiFi |
| Wireless Range | CRMX/UHF up to 300 m / 330 yds Bluetooth up to 3 m / 3.3 yds |
| Infrared Control | Yes |
| Housing Material | Aluminium |
| IP Rating | IP65 |

| | |
|-------------------------------|--|
| Ambient Operating Temperature | 0 - 40° C / 32 - 104 °F |
| Weight | 5.66 kg / 12.5 lb |
| Dimensions L x W x D | 175 mm x 222 mm x 256 mm / 6.9" x 8.7" x 10.1" |
| Mounting Options | AirlineTrack, 4x M6 thread, AX9 Bracket (with 3/8" - 16 UNC thread, 1/2" hole) |

*Typical value

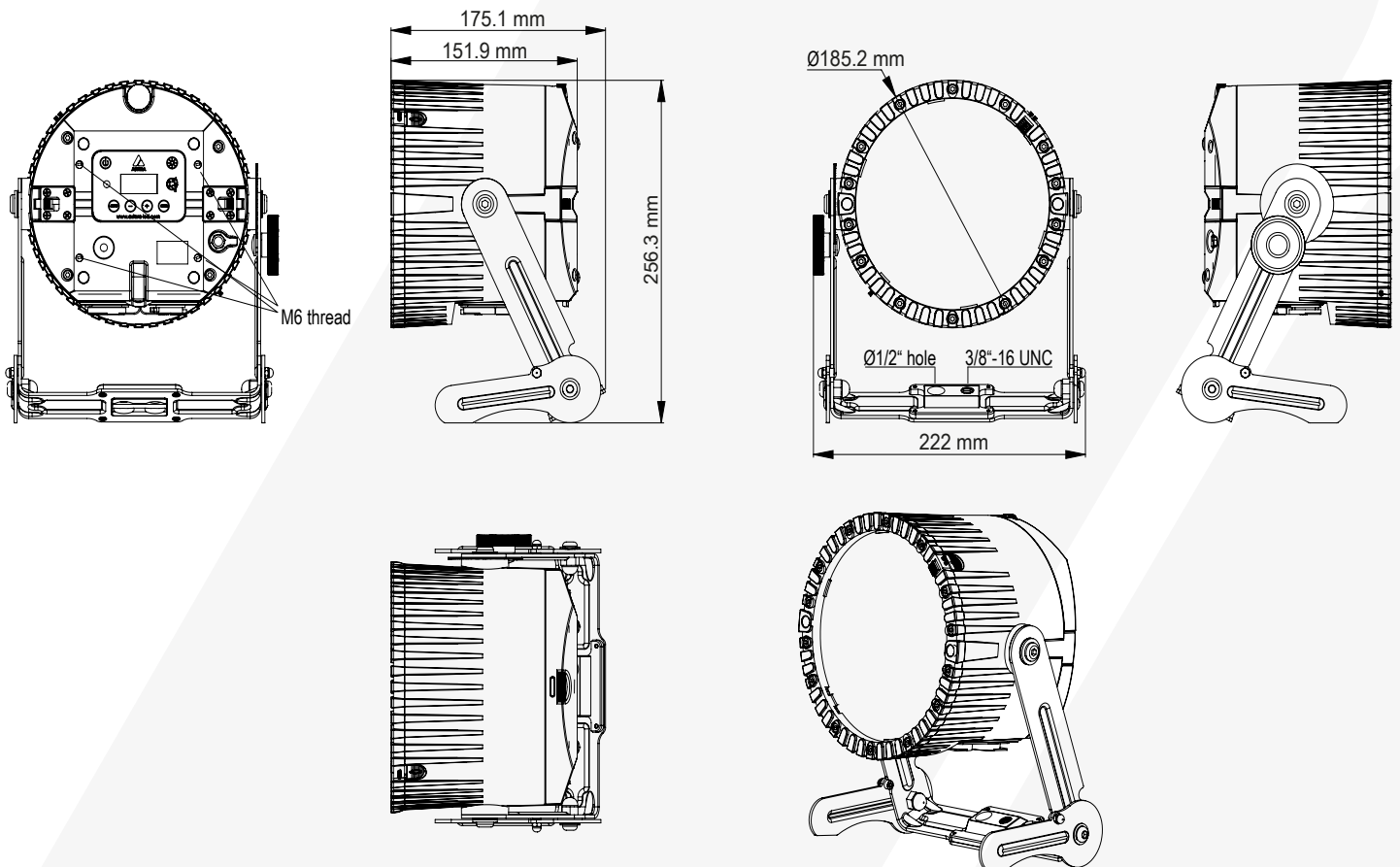
RF CHARACTERISTICS

| | | | | | |
|-------------------|----------------------------|-----------------------------|--------------------------------|--------------------------------|------------------------------|
| Wireless Modules | EU: UHF*** (863-870MHz) | USA: UHF (917-922.20MHz) | AUS: UHF (922.30-927.50MHz) | SGP: UHF (920.50-924.50MHz) | KOR: UHF (917.9-921.5MHz) |
| Modulation | FHSS | FHSS | FHSS | FHSS | FHSS |
| ERP (Transmitter) | <25mW | <25mW | <25mW | <25mW | <25mW |
| Channel Count | 47 | 53 | 53 | 41 | 10 |

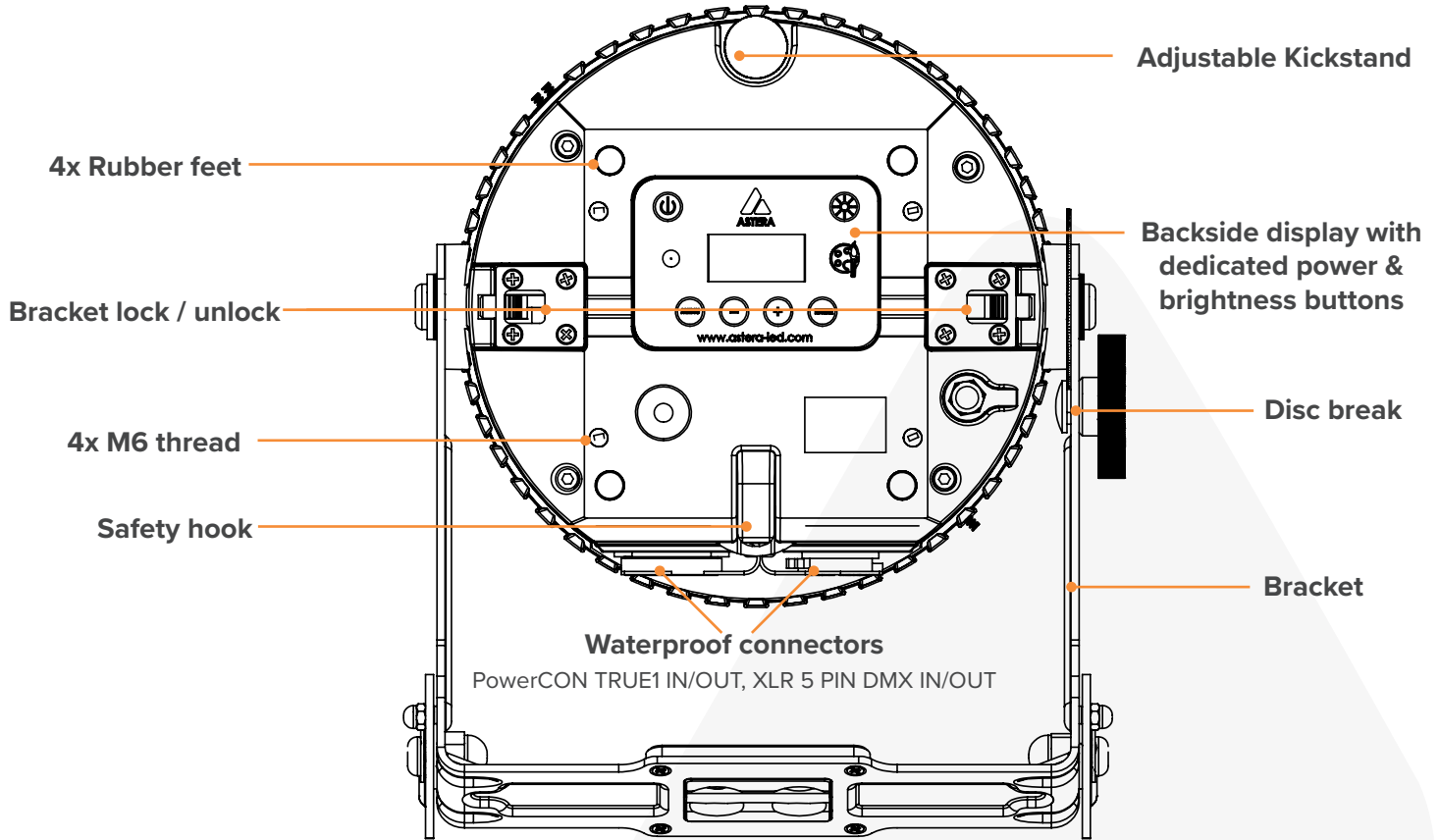
| | | | | | |
|-------------------|--------------------------------|--------------------------------|------------------------|------------------------------------|------------------------|
| Wireless Modules | RUS: UHF (868.75-869.12MHz) | JPN: UHF (922.80-926.40MHz) | CRMX (2402-2480MHz) | Bluetooth 5.0 LE (2402-2480MHz) | WiFi (2412-2472MHz) |
| Modulation | FHSS | FHSS | FHSS | FHSS | DSSS, OFDM |
| ERP (Transmitter) | <25mW | <25mW | - | 10mW (BLE) | <100mW |
| Channel Count | 6 | 19 | 79 | 40 | 13 |

***General allocation of frequencies for use by short-range radio applications

DRAWINGS



BACKSIDE AND BRACKET

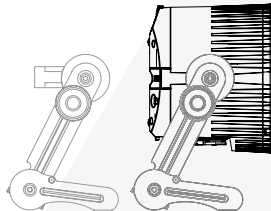


ACCESSORIES

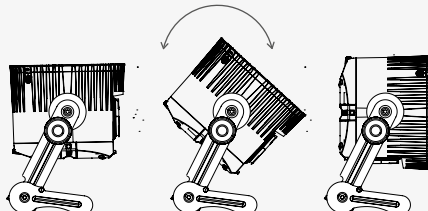
AX9 Bracket
AX9-StA



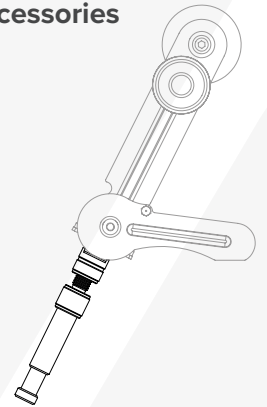
Removeable



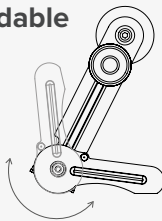
Tiltable



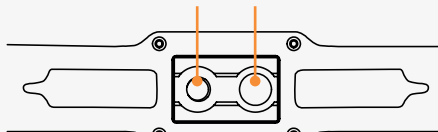
AirlineTrack on bottom
for attaching mounting accessories



Foldable



3/8"-16 UNC 1/2" hole



EggCrate
AX9-EGC



EggCrate on AX9 PowerPar
AX9-EGC



TrackPin
AX-TP



Bolt for AX5
AX5-BLT



Filters



FloodFilter 32°
AX9-FF



WallwashFilter 17°x46°
AX9-WWF



RotatableFilter 17°x46°
AX9-ROTAD

FlexCover White
AX9-FLXCVR-WT-8



FlexCover Mirror
AX9-FLXCVR-MIR-8



TYPICAL SPECTRAS

