

# EclPanel TWCJR

370W Tunable White and colourful LED soft light with pixels and lighting effects (driven @ 220W)

ORDER CODE: **ECLPANELTWCJR**



370W RGB + Warm White LEDs (driven @220W)



CRI > 94  
R9 > 88,8  
TLCI > 92



4 section pixel control and built-in lighting effects for cinema applications



Silent operation with multiple fan modes



Battery connection (4pXLR 24-36V): compatible with industry standard external batteries (optional)

**EclPanel TWCJr**, is the compact 1x1 LED soft light that provides a beautiful, wide source of soft and precise colours. In addition to this, the PROLIGHTS **EclPanel TWCJr** comes with a full range of white reproductions, from daylight through to tungsten tones, reaching a superior light quality with high CRI, TLCI and TM-30. The **EclPanel TWCJr** allows for quick and accurate local adjustment of light through 3 rotatory knobs with three fully featured modes: CCT with +/- green shift, HSI for total control of hue, saturation and intensity, FX mode to access the on board pixel cinema effects. The unit can also be controlled on a per-section basis, allowing for reproduction of onboard customisable effects or to be self-made through the lighting desk. Both methods provide eye-candy, with the appealing and modern front looks and cinematic special effects. The unit is designed with an onboard driver and built-in power supply and, being lightweight, the **EclPanel TWCJr** offers easy rigging and cabling making it the perfect lighting tool for every location.

## TECHNICAL SPECIFICATION

### LIGHT SOURCE

- Source:370 W RGB + Warm White LEDs (driven @ 220W)
- Luminous flux:17'109 lm @4.000 K with LD filter
- Lux:@4000K, 265 lx @5 m
- CRI:94,2 @3.200 K; 95,4 @5.600 K
- R9:93,3 @3.200 K; 87,4 @5.600 K
- TLCI:92 @5.600 K
- TM30 Rf:90 @3.200 K; 89,4 @5.600 K
- TM30 Rg:105 @3.200 K; 104 @5.600 K
- Source life expectancy: > 50.000 h

### OPTICS

- Beam angle:102 °
- Field angle:158 °
- Lens type:medium density diffusion panel (interchangeable)
- Additional optics: see available accessories

### COLOUR SYSTEM

- Colour control: XY, CCT, RGBW, Gel, HSI, Source Emulation, Color Macros, CTO on colors
- Colour mixing: RGB + Warm White
- CCT: CCT control range from 2.200K to 15.000K, + / - green correction, tungsten emulation
- White presets:2.800 K - 10.000 K with 28 K resolution
- Colour wheel: virtual colour wheel with macros
- Macros: Gels library on-board

### DYNAMIC EFFECTS

- Control Resolution: 16-bit dimmer, colours
- Pixel patterns: pre-programmed pixel macros and cinema lighting effects patterns
- Special features: linear crossfade channel from any white to any colour; virtual CTO on colours

### BODY

- Body: sturdy die-cast aluminium body
- Body colour: black

### CONTROL

- Protocols: DMX512, RDM, W-DMX, rotatory knob
- Stand Alone:selectable mode through 3 rotatory knobs
- Pixel control:4 section control
- Wireless Control: included, Lumen Radio Timo Fx DMX/RDM compatible with both CRMX (Lumen Radio) and W-DMX (Wireless DMX)
- RDM: RDM for remote monitoring and settings
- Display: Graphic User Interface
- Firmware upgrade: yes, via USB - DMX interface (UPBOX1) not included

### ELECTRONICS

- Dimmer: linear 0 ~ 100% electronic dimmer
- Dimmer curves:4 selectable dimming modes available
- Strobe / shutter:1 - 30 Hz, electronic
- Display battery: self-charging battery backup
- Operating temperature: -10° ~ +45°
- LED Control: flicker free frequency with adjustable PWM
- Selectable PWM: 600 ~ 40.000 Hz

### ELECTRICAL

- Mains power supply: 100-240V - 50/60Hz
- Low Voltage DC mains: 24-36V
- Max power consumption:230 W
- Power factor:>0,97

### PHYSICAL

- IP rating:20
- Cooling: active, silent operation
- Suspension and fixing: bracket for hanging and positioning
- Signal connection: Amphenol XLR 5p IN/OUT connectors
- Power connection: Neutrik powerCON TRUE1 IN/OUT connectors
- Low Voltage DC connector: XLR 4p
- Dimensions (WxHxD):529x432x144 mm
- Dimensions with PO system (WxHxD):546x556x144 mm
- Weight:10,5 kg
- Weight with PO system:11,8 kg

### CERTIFICATIONS / APPROVALS

- Certifications / Approvals: CE, UKCA, RCM, cTUVus, FCC



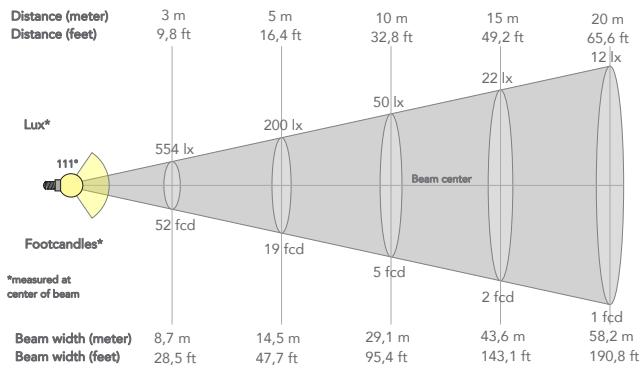
# EclPanel TWC Jr

## PHOTOMETRICS

### PRESET 4.000 K (FILTER HD)

Beam angle 50%: 111°

Beam angle 50%	Field angle 10%	Cut off angle 2,5%	Intensity ratio in 120° cone	Intensity ratio in 90° cone
111°	161,3°	177°	76,4%	52,2%



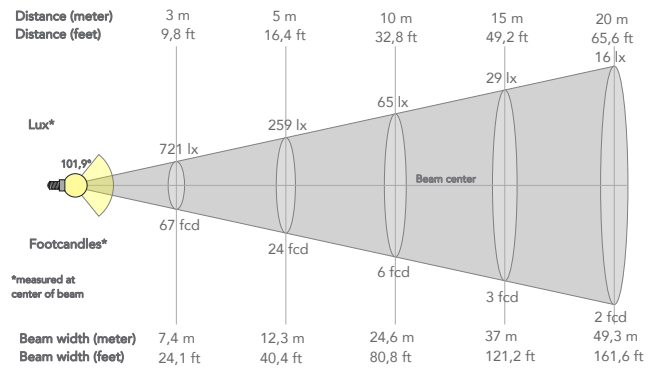
#### BEAM INTENSITIES AND WIDTHS

Distance	1m	2m	3m	4m	5m	7,5m	10m	15m	20m	25m	30m	40m	50m
Distance	3,3ft	6,6ft	9,8ft	13,1ft	16,4ft	24,6ft	32,8ft	49,2ft	65,6ft	82ft	98,4ft	131,2ft	164ft
Lux	4990lx	1248lx	554lx	312lx	200lx	89lx	50lx	22lx	12lx	8lx	6lx	3lx	2lx
Footcand.	464fcd	116fcd	52fcd	29fcd	19fcd	8fcd	5fcd	2fcd	1fcd	1fcd	0fcd	0fcd	0fcd
Beam wid.	2,9m	5,8m	8,7m	11,6m	14,5m	21,8m	29,1m	43,6m	58,2m	72,7m	87,3m	116,3m	145,4m
Beam wid.	9,6ft	19,2ft	28,5ft	38,1ft	47,7ft	71,6ft	95,4ft	143,1ft	190,8ft	238,5ft	286,2ft	381,6ft	477ft

### PRESET 4.000 K (FILTER MD)

Beam angle 50%: 102°

Beam angle 50%	Field angle 10%	Cut off angle 2,5%	Intensity ratio in 120° cone	Intensity ratio in 90° cone
101,9°	158,2°	177,2°	79,0%	55,3%



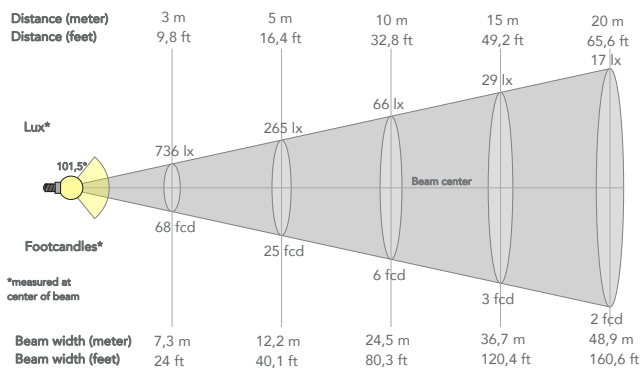
#### BEAM INTENSITIES AND WIDTHS

Distance	1m	2m	3m	4m	5m	7,5m	10m	15m	20m	25m	30m	40m	50m
Distance	3,3ft	6,6ft	9,8ft	13,1ft	16,4ft	24,6ft	32,8ft	49,2ft	65,6ft	82ft	98,4ft	131,2ft	164ft
Lux	6486lx	1622lx	721lx	405lx	259lx	115lx	65lx	29lx	16lx	10lx	7lx	4lx	3lx
Footcand.	603fcd	151fcd	67fcd	38fcd	24fcd	11fcd	6fcd	3fcd	2fcd	1fcd	0fcd	0fcd	0fcd
Beam wid.	2,5m	4,9m	7,4m	9,9m	12,3m	18,5m	24,6m	37m	49,3m	61,6m	73,9m	98,6m	123,2m
Beam wid.	8,1ft	16,3ft	24,1ft	32,3ft	40,4ft	60,6ft	80,8ft	121,2ft	161,6ft	202ft	242,5ft	323,3ft	404,1ft

### PRESET 4.000 K (FILTER LD)

Beam angle 50%: 102°

Beam angle 50%	Field angle 10%	Cut off angle 2,5%	Intensity ratio in 120° cone	Intensity ratio in 90° cone
101,5°	155,8°	176°	80,7%	57,1%



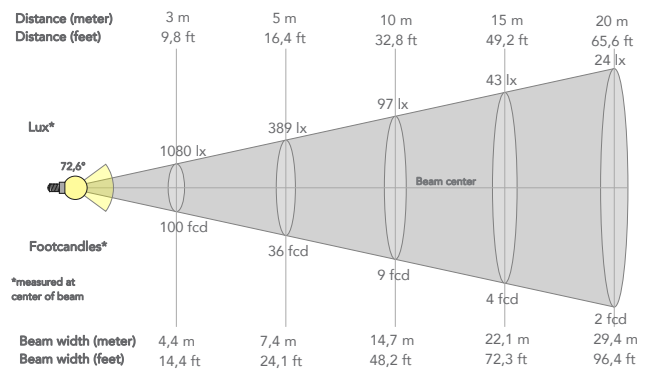
#### BEAM INTENSITIES AND WIDTHS

Distance	1m	2m	3m	4m	5m	7,5m	10m	15m	20m	25m	30m	40m	50m
Distance	3,3ft	6,6ft	9,8ft	13,1ft	16,4ft	24,6ft	32,8ft	49,2ft	65,6ft	82ft	98,4ft	131,2ft	164ft
Lux	6627lx	1657lx	736lx	414lx	265lx	118lx	66lx	29lx	17lx	11lx	7lx	4lx	3lx
Footcand.	616fcd	154fcd	68fcd	38fcd	25fcd	11fcd	6fcd	3fcd	2fcd	1fcd	0fcd	0fcd	0fcd
Beam wid.	2,4m	4,9m	7,3m	9,8m	12,2m	18,4m	24,5m	36,7m	48,9m	61,2m	73,4m	97,9m	122,4m
Beam wid.	8,1ft	16,2ft	24ft	32,1ft	40,1ft	60,2ft	80,3ft	120,4ft	160,6ft	200,7ft	240,8ft	321,1ft	401,4ft

### PRESET 4.000 K (FILTER INT)

Beam angle 50%: 73°

Beam angle 50%	Field angle 10%	Cut off angle 2,5%	Intensity ratio in 120° cone	Intensity ratio in 90° cone
72,6°	115,6°	161°	91,8%	78,6%



#### BEAM INTENSITIES AND WIDTHS

Distance	1m	2m	3m	4m	5m	7,5m	10m	15m	20m	25m	30m	40m	50m
Distance	3,3ft	6,6ft	9,8ft	13,1ft	16,4ft	24,6ft	32,8ft	49,2ft	65,6ft	82ft	98,4ft	131,2ft	164ft
Lux	9716lx	2429lx	1080lx	607lx	389lx	173lx	97lx	43lx	24lx	16lx	11lx	6lx	4lx
Footcand.	903fcd	226fcd	100fcd	56fcd	36fcd	16fcd	9fcd	4fcd	2fcd	1fcd	1fcd	0fcd	0fcd
Beam wid.	1,5m	2,9m	4,4m	5,9m	7,4m	11m	14,7m	22,1m	29,4m	36,8m	44,1m	58,8m	73,5m
Beam wid.	4,9ft	9,7ft	14,4ft	19,3ft	24,1ft	36,2ft	48,2ft	72,3ft	96,4ft	120,5ft	144,7ft	192,9ft	241,1ft



# ECLPANEL TWCJr

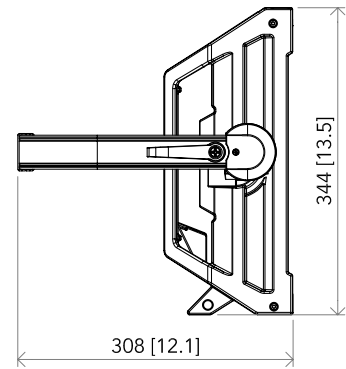
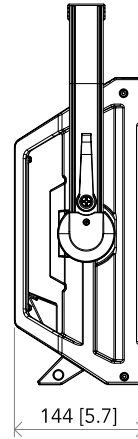
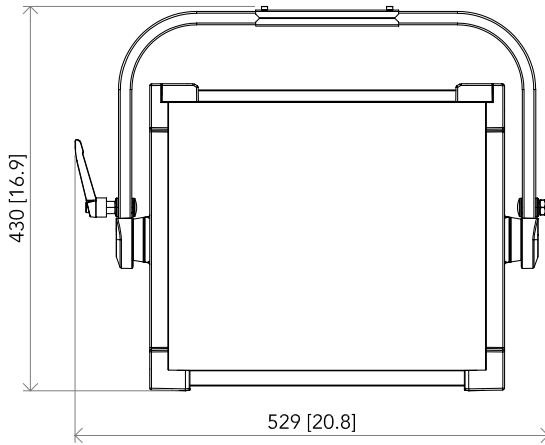
## ACCESSORIES

▪ 9513FXWL03	Ass. 3x2.5mm TH07 cable, 16A 3p 230V CEE plug, MENAC3FXW socket, L.3 m	▪ EPTWCJREC4C	4 chamber egg crate for ECLPANELTWCJR
▪ 9533FXWL03	Ass. 3x2.5mm TH07 cable, SHUKO plug, MENAC3FXW socket, L.3m	▪ EPTWCJRBD	Barn door with 4 directional flaps to adjust the light beam
▪ 958225L03	3x2.5mm TH07 Cable, 16A 3p PwCon MXW, 16A 3p PwCon FXW, L. 3m	▪ EPTWCJRSB11	SnapBag 1x1 for ECLPANELTWCJR by DoP choice
▪ C6002B	Slim aluminum clamp, 200kg loading, 48-51mm tubes, M10 bolt, Black	▪ EPTWCJRSG4SB1140	40° SnapGrid for SnapBag, 1x1 for ECLPANELTWCJR by DoP choice
▪ C6040B	Aluminum clamp for 28mm spigot, 200kg load, 48-51mm tubes, black	▪ EPTWCJRSG1140	40° SnapGrid, 1x1 for ECLPANELTWCJR by DoP choice
▪ RSR0630B	Steel security cable for hanging bodies, inox steel shackle, L=60 cm, black	▪ EPSREM	Rabbit-Ears 1x1 MINI for ECLPANELTWCJR by DoP choice
▪ TOUR53415L03	Dmx cable HC5340. CANC5MXX XLR 5p->CANC5FXX XLR (f) 5p, L.3m	▪ EPSBRL3	Snapbag Lantern 3' for Rabbit-Ears by DoP. Incl. Lantern, Backcovers, Carry Bag
▪ WSBBF1G5	BlackBox F-1 G5 transmitter, 2,45GHz & 5.2/5,8 GHz, DMX/RDM, 512Ch	▪ EPSBRL3C4	Cover for Snapbag Lantern 3' (EPSBRL3) by DoP choice; 4 sides, adj. with zipper
▪ WSBBF1G6	BlackBox F-1 G6 transrec, 512ch, 2.45GHz, DMX&RDM,Bluetooth,G3,G4,G4S, G5, CRMX	▪ EPSBRM	SnapBag Medium to be mounted on Rabbit Ears by DoP.
▪ WSBBR512G5	BlackBox R-512 G5 receiver 512Ch, 2.45GHz & 5.8GHz, DMX/RDM optional	▪ EPSGCM40	40° SnapGrid, to be mounted on Snap Bag Medium (EPSBRM)
▪ WSBBR512G6	BlackBox R-512 G6 receiver 512Ch, 2.45GHz,DMX&RDM ,Bluetooth,G3,G4,G4S,G5,CRMX	▪ EPSBRO3	Snapbag Octa 3' to be mounted on Rabbit-Ears by DoP.
▪ FCLPANELJR1U	Flight case for 1 pc of ECLPANELTWCJR	▪ EPSGC3W40	40° SnapGrid, to be mounted on Snap Bag Octa 3' (EPSBRO3)
▪ FCLPANELJR4U	Flight case for 4 pcs of ECLPANELTWCJR	▪ EPSBRO5	Snapbag Octa 5' to be mounted on Rabbit-Ears by DoP.
▪ ECLPANELJRPOYO	Pole operated aluminium yoke bracket for ECLPANELTWCJR	▪ EPSGC5W40	40° SnapGrid, to be mounted on Snap Bag Octa 5' (EPSBRO5)
▪ EPTWCBHEAD	Articulation for center mount yoke EPTWCCYOKEFIX series	▪ EPSBRO7	Snapbag Octa 7' to be mounted on Rabbit-Ears by DoP.
▪ EPTWCCYOKEFIXM	Center mount yoke for ECLPANELTWCJR and ECLPANELTWC2X1	▪ EPSGC7W40	40° SnapGrid, to be mounted on Snap Bag Octa 7' (EPSBRO7)
▪ EPTWCJR BAG1U	Bag for 1 pc of ECLPANELTWCJR	▪ EPSBCMNSM	Diffusion MAGIC cloth for Snapbag 60x60cm (EPTWCJRSB11) by DoP choice
▪ EPTWCJRRC	Rain Cover for ECLPANELTWCJR	▪ EPSBCMNSF	Diffusion FULL Grid cloth for Snapbag 60x60cm (EPTWCJRSB11) by DoP choice
▪ EPTWCJRFILTERINT	Front intensified diffusion filter for ECLPANELTWCJR	▪ EPSBCMNSH	Diffusion HALF Grid cloth for Snapbag 60x60cm(EPTWCJRSB11) by DoP choice
▪ EPTWCJRFILTERHD	Front high diffusion filter (less output) for ECLPANELTWCJR	▪ EPSBCMNSQ	Diffusion QUARTER Grid cloth for Snapbag 60x60cm (EPTWCJRSB11) by DoP choice
▪ EPTWCJRFILTERMD	Front medium diffusion filter for ECLPANELTWCJR	▪ EPSBCMNSQFM	Diff. cloth SET (1/4, 1/1,MAGIC) for Snapbag 60x60cm (EPTWCJRSB11) by DoP choice
▪ EPTWCJRFILTERLD	Front low diffusion filter (more output) for ECLPANELTWCJR	▪ EPTWCJRLANT11	Snapbag Lantern for ECLPANELTWCJR by DoP. Incl. Lantern, Backcovers, Carry Bag
▪ ECLFRSPG	Spigot for PROLIGHTS fixtures	▪ SWIT500W2KIT	24/48V 500W battery (>1.2hrs) KIT including 2*PBH260S smart power batt.+st.adapt
▪ EPTWCJREC30	30 degree egg crate for ECLPANELTWCJR	▪ UPBOX1U	Firmware uploader kit, USB IN, 3pin XLR DMX OUT, USB OUT
▪ EPTWCJREC60	60 degree egg crate for ECLPANELTWCJR		

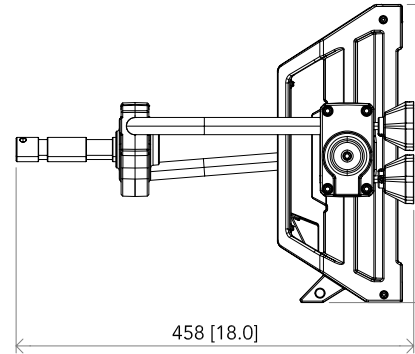
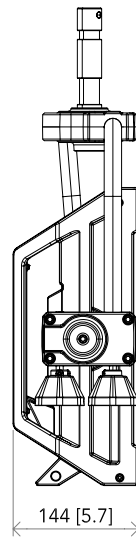
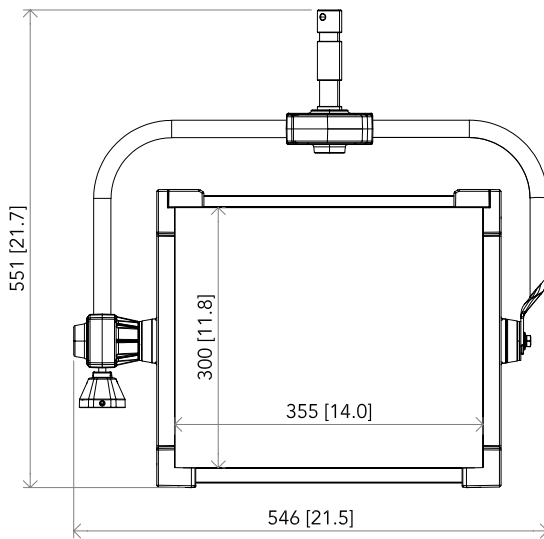


# EclPanel TWCJr

## TECHNICAL DRAWINGS



WEIGHT: 15,3 kg



with ECLPANELPOYO (pole operated yoke bracket for EclPanel TWC)

WEIGHT (with PO system): 17,7 kg

## PACKAGE CONTENT

- ECLPANELTWCJR
- 1,5 meters SCHUKO - NEUTRIK POWERCON TRUE1 power cable
- EPTWCJRFILTERMD: Front medium diffusion filter for ECLPANELTWCJR
- ECLFRSPG: Spigot for PROLIGHTS Fresnel series
- User manual

## CERTIFICATIONS / APPROVALS



Conforms to UL STD. 1573  
Certified to CSA STD: C22.2 NO. 166

Visit our website  
for specifications and  
tech documentations

