

## ROXX NEO



USER MANUAL

## CONTENT

### 1. Safety Informations

1.1. General Preventive Measures	4
1.2. Regulations for equipment that connects to power mains	5
1.3. Technical warnsigns and explanation	6

### 2. Introduction

2.1. About us	7
2.2. NEO	7

### 3. General Product Information

3.1. Scope of delivery	8
3.2. Control Functions	8
3.3. Features	8

### 4. Installation & Setup

4.1 Physical Installation and Rigging	9
4.2 Connections	10
4.2.1. AC Power	11
4.2.2. DC Power	11
4.2.3. DMX Connection	11
4.2.3.1. Cable Connection	11
4.2.3.2. Wireless Connection	11
4.3 NFC (Near Field Communication)	14

### 5. Operation

5.1 Start up	15
5.2 Control Display	15
5.3 Display Short Cuts	15
5.4 Configuration	17
5.4.1 Set DMX Start Address (Direct Access)	17
5.4.2 Selecting DMX Mode	17
5.4.3 Stand Alone	18
5.4.4 Slave Mode	25
5.4.5 Settings	25
5.4.5.1 Reset functions	29
5.4.6 System Info	30

### 6. Accessories

6.1. Magnetic Filters	31
6.2. More accessories	31

---

## **7. Technical Data / Diagrams**

---

7.1 Technical drawings and measurements	32
7.2 IP Rating	33
7.3 Technical Data	34
7.4 Section Chart / DMX-Charts / Color Macro Charts / CCT Chart	36
7.5 RDM Templates	67

---

## **8. Troubleshooting**

---

68

## **9. Manufacturer's Declaration**

---

69

## 1. SAFETY INFORMATION

### 1.1. General Preventive Measures

- 1.1.1. Please read, understand and follow the instructions.
- 1.1.2. Store the instructions and information in a safe place.  
Best solution is the ring binder provided by ROXX.
- 1.1.3. Follow all safety warnings. Under no circumstances remove safety warnings or other information from the equipment.
- 1.1.4. Don't use the equipment for any other intended purpose or manner.
- 1.1.5. Use only stable and compatible stands and/or brackets. Especially when fix installed.  
Make sure the wall brackets are properly installed and safe. Make sure the device is securely installed and cannot fall.
- 1.1.6. Check the safety regulations applying for your country before and during installation.
- 1.1.7. Keep the device away from heat! Don't place/install near heaters, ovens or any source of heat.  
Make sure that the device always is efficiently cooled and cannot overheat.
- 1.1.8. Always guarantee that ventilation and cooling slots are clean and not blocked.
- 1.1.9. Item must be away minimum 20cm from anything around and above it.
- 1.1.10. Do not use this device close to water.
- 1.1.11. Do not expose this equipment to flammable materials.
- 1.1.12. Make sure that no objects can fall into the device.
- 1.1.13. Only use this device with the accessories recommended by the manufacturer.
- 1.1.14. Always check the equipment for housing damages, so that no water can enter the device.  
No containers containing liquids of any kind should be place on top of the unit.
- 1.1.15. Opening or modifying this device is only allowed by authorized and qualified persons.
- 1.1.16. All cables need to be checked after connecting the device in order to prevent damage or accidents.
- 1.1.17. Make sure that the device is transported safe and packed proper in order to prevent damage of any kind.
- 1.1.18. Once you notice improper function of your device due to damage, electric shock or anything similar,  
immediately unplug the unit from the mains outlet and contact our service department.
- 1.1.19. Clean the device with a dry cloth.

- 1.1.20. Observe all disposal laws applicable in your country. Especially for the packaging.
- 1.1.21. Plastic bags are not a toy! Keep away from children!
- 1.1.22. Please note that changes or modifications which are not approved by the party responsible for compliance will void the user's authority to operate the device.

## **1.2 Regulations for equipment that connects to power mains**

- 1.2.1. If an earthing contact is available in the used power cord, it must be used in combination with a power outlet, providing a protective ground. In no circumstances should the protective ground be deactivated.
- 1.2.2. Do not switch on the device immediately after it has been in strong different temperatures, especially after transport. Let the device acclimatize to the temperature in the room of usage first to prevent moisture and condensation.
- 1.2.3. Verify that the correct voltage and frequency are available in the area of operation, before connecting the unit to the mains outlet.
- 1.2.4. If the plug doesn't fit in your mains outlet, contact your electrician.
- 1.2.5. Make sure your power cord/adaptor/connector does not show signs of kinks/warps or is being stepped on.
- 1.2.6. Always disconnect the unit when not in use or being cleaned. Don't pull on the cord to disconnect. Only touch power connections with dry hands!
- 1.2.7. Don't switch the unit on/off rapidly. This may cause damage.
- 1.2.8. If a fuse needs to be replaced, ALWAYS make sure that exactly the same fuse will be used (type and rating). Repeatedly blown fuses need to be checked by an authorised service technician.
- 1.2.9. In the risk of lightning strike all units need to be unplugged from the mains in order to prevent damage.
- 1.2.10. During installation there must be a voltage free condition.
- 1.2.11. The device needs to be cleaned and serviced regularly and will credit this with a longer life cycle. Dust, dirt, moist, water, smoke, nicotine or anything similar inside the unit will cause damage/malfunction.
- 1.2.12. The unit needs to have at least 0,5m distance to anything flammable.
- 1.2.13. You have to make sure that any electrical installation applies to the laws of your country. Correct power cables and applying standards have to be used.

### 1.3. Technical warnsigns and explanation



In order to prevent the risk of an electric shock, under no circumstances remove the cover/back or open the unit in any way! No user serviceable parts are inside. Service, maintenance and repairs should only be done by qualified service personnel or the manufacturer.



Dangerous uninsulated voltage inside the device can cause an electrical shock when opened by unqualified personnel.



Important operating and maintenance instructions apply!



Do not operate this device in tropical climates.



CAUTION! Intense LED light source! Risk of eye damage. Do not look into the light source



The housing surface of the spotlight can heat up to temperatures as high as 70 °C in regular use. Ensure that it is not possible to come into contact with the housing unintentionally. Always allow sufficient time for the lamp to cool down before dismantling, carrying out maintenance work or charging etc..



#### IMPORTANT INFORMATION!

- This is a product which has been developed for professional usage in event technology. It is not suitable as a household lighting.
- NEVER stare, not even temporarily, directly into the light source.
- Don't use magnifiers or any other optical instrument to look at the beam.
- The effects of this device, especially the stroboscope effect, can cause problems for sensitive people or may even cause epileptical seizures.

## 2. INTRODUCTION

### 2.1. About us

*The name ROXX® came easily.*

Combined with the concentrated knowledge and many years of experience, our three founders, who have been leaving their mark in the event and lighting industry for many years already, came together in 2020 to start this outstanding venture.

Product development, sales and marketing as well as the exceptional know-how and the profound rooting in the field of the professional lighting technology belong to our core competences and therefore guarantee extremely innovative and reliable products, excellent support and professional service in every aspect.

*Designed & developed in Germany*

ROXX® products are developed and designed in Germany. Always in tight consultation with our customers and experts who will eventually be working with these tools. This ensures innovative, easy-to-use and performance-oriented solutions, which provide added value for our customers.

*Made to last*

Recommended for permanent outdoor use, most ROXX® products feature additional corrosion protection and enhanced IP66 equipment protection, thereby providing that crucial extra for a wider range of applications. In addition to architectural or theme park applications, even fixed installations in coastal or offshore areas with high salt exposure can be reliably implemented over long periods of time.

### 2.2. NEO

Illuminate your world with NEO, a cutting-edge lighting fixture that combines unparalleled performance with versatility and convenience. With 24 x 40W RGBL LEDs, NEO generates an astounding 37.690lx @ 5m, calibrated at 5600K, ensuring your space is bathed in brilliant light. Crafted with precision, the fixture features a specially developed 10° TIR lens, ensuring high illuminance even over extended distances while guaranteeing seamless color mixing for captivating displays. Enhance your lighting setup further with optional magnetic filters, offering a range of circular and elliptical beam angles, along with a smoked clear filter tailored for impeccable camera applications.

NEO boasts a CRI/Ra and TLCI higher 85, ensuring accurate color reproduction that breathes life into your surroundings. Four controllable segments provide unparalleled customization, empowering you to tailor your lighting to suit any scenario. Built to withstand the elements, NEO has a certified IP65 rating, making it suitable for both indoor and outdoor use. The additional DC input allows for easy connection to standardized battery packs, transforming the fixture into a mobile powerhouse for on-the-go lighting needs.

The integrated CRMX transceiver and Bluetooth module offer seamless wireless DMX setup according to industry standards, along with direct control via the intuitive ROXX.APP, streamlining your workflow and enhancing efficiency.

Experience hassle-free addressing and configuration with NEO's integrated Near Field Communication (NFC), even when fixture power is not available. This innovative feature revolutionizes your daily work processes, making light setup faster, easier, and more satisfying than ever before. The specially developed copper heat pipe cooling system ensures stable luminous intensity, even in high ambient temperatures. With temperature-controlled fan modes, including fan-off mode for silent operation, NEO is ideal for any stage, TV, and film application. The fixture offers linear CTC control from 2000K to 10,000K, ensuring versatility for any lighting scenario. The user-friendly 2" TFT display, complemented by backlit buttons, provides direct access to dimmer, CCT, gels, app control, and CRMX functions, simplifying operation for users of all levels.

Designed with convenience in mind, NEO features integrated handles on both the head and yoke, allowing for comfortable transportation. Multiple mounting locations offer creative rigging options, while 16-bit dimming control ensures smooth, perfect fades for seamless transitions. Experience seamless transitions with 16-bit dimming control, ensuring smooth, perfect fades every time. Plus, adjustable PWM frequencies up to 25kHz guarantee flicker-free operation, providing optimal lighting conditions for any shoot.

### 3. GENERAL PRODUCT INFORMATION

#### 3.1. Scope of delivery

⊕ 1x NEO

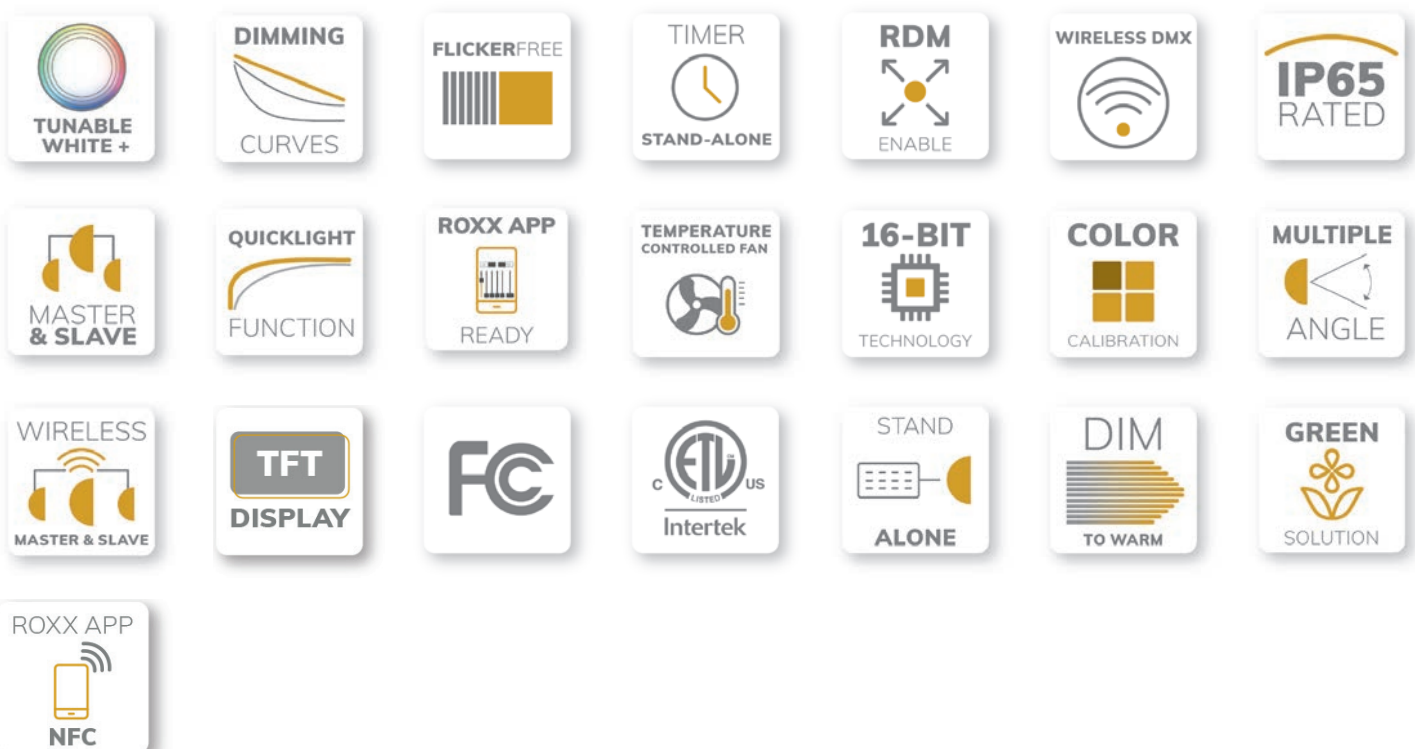
⊕ Power cord with plug (EU country specific, if not ordered differently)

We're offering a wide range of professional accessories (optional). Please see under menu 6 or at our website [www.roxxlight.com](http://www.roxxlight.com)

#### 3.2. Control Functions

- 3CH CCT, 3CH RGB, 6CH RGB, 8CH RGB, 19CH RGB, 23CH RGB, 4CH DIRECT, 8CH DIRECT, 9CH DIRECT, 21CH DIRECT, 26CH DIRECT, 17CH HSI, 16CH PURE, 29CH PURE, 28CH FULL ACCESS, 44CH FULL ACCESS
- Stand Alone Functions including cinema effects, various auto programs, customisable scenes, CCT, LEE adjusted color macros and custom color templates
- 6 extra display controls for direct access of wireless settings, dimmer, CCT, color & user definable functions
- Master & Slave (by DMX and Wireless DMX)
- Wireless DMX (Lumenradio CRMX®)
- ROXX App - Bluetooth 5.0
- ROXX NFC App - Near Field Communication

#### 3.3. Features





## 4. INSTALLATION & SETUP

### 4.1 Physical Installation and Rigging

ROXX NEO may be installed in any orientation. For this purpose the product provides several options:

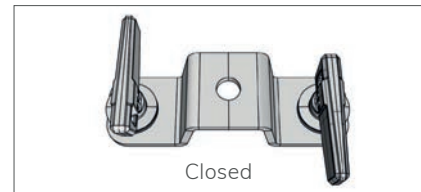
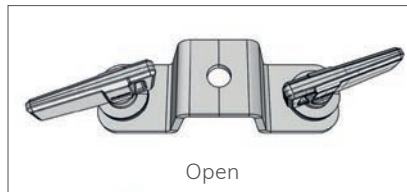


#### Standing:

The fixture is equipped with 4 rubber feet. It allows the luminaire to be used in floor application. With its integrated rubber feet it's designed to ensure a secure stand on every plane surface with 220° tilt movement of the fixture's head.

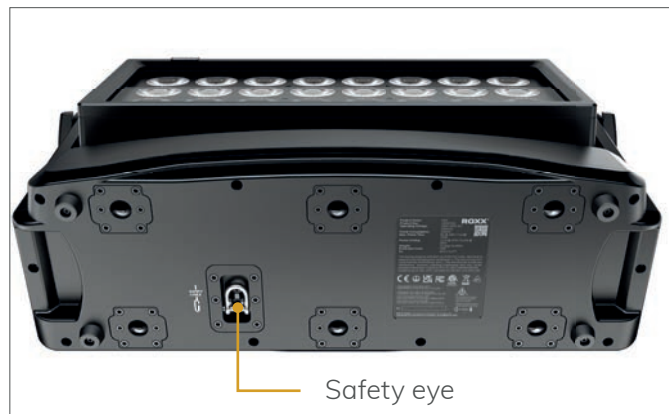
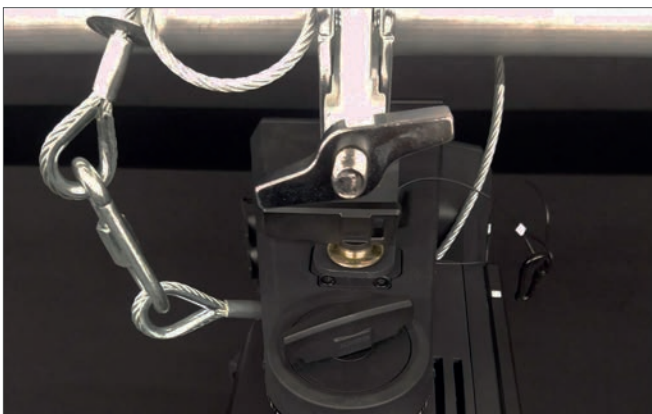
#### Hanging:

On the bottom 3x Camlock 1/4 turn connectors are installed. Here it's possible to click in the ROXX Omega Bracket ST (optional accessory) equipped with any suitable clamp.

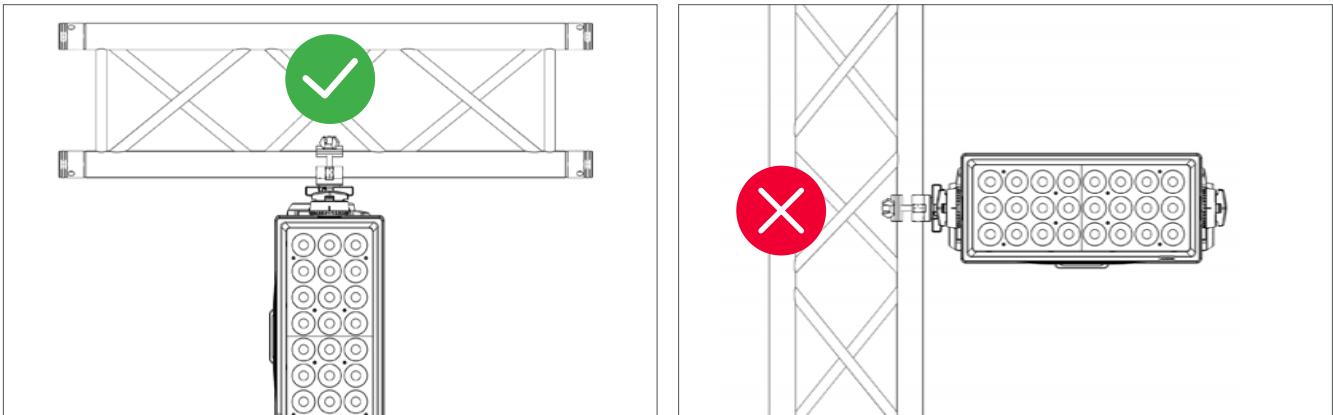


Insert the two fasteners and turn each 90° clockwise to lock them. Please be sure that the fasteners are turned fully and snapped in.

Use a safety wire matching the local official regulations. We recommend using the safety eye on the bottom of the fixture. When hanging the fixture vertically using the side camlocks, it's permissible to safe the fixture by putting the wire through the yoke to reduce the drop height.



Please note that it's not allowed to use the side camlocks to mount the unit horizontally to a vertical truss or similar.



#### 4.2 Connections\*



**A:** IP65 Power I/O connectors with rubber sealing cap.

Connect using the provided power cable (when not in use, always close with rubber sealing cap)

**B:** DMX IN

**C:** DMX OUT

**D:** Direct Acces to Dimmer, CCT, Gels, Wireless, Connectivity, User definable controls

**E:** Goretex Valve

**F:** Firmware / USB: when not in use, always close with rubber sealing cap

**G:** DC Power In

ⓘ **\*Note:**

In order to provide protection from spraying water, in accordance with protection class IP65, special IP65-rated XLR connectors must be used correctly with the DMX input and output sockets, or they must be closed using the rubber sealing caps. When connected correctly, or when sealed correctly with the rubber sealing caps, the POWER IN and POWER OUT sockets are protected from spraying water, as in accordance with IP65.

#### 4.2.1. AC Power

The NEO operates on any 100–260 V, 50/60 Hz AC mains power supply with a maximum power consumption of 988W. Connect the fixture to AC power using the supplied cable or a similar one with Neutrik powerCON TRUE1 NAC3FX-W or a compatible type, to ensure the correct ingress protection (IP).

For temporary installations, the mains cable must be fitted with a grounded connector intended for exterior use. The fixture must be grounded/earthed and be able to be isolated from AC power. The AC power supply must incorporate a fuse or circuit breaker for fault protection.

Wire Color (EU models)	Wire Color (US models)	Conductor	Symbol
Brown	Black	Live	L
Blue	White	Neutral	N
Yellow / Green	Green	Ground (earth)	⊕ or ⊚



#### Warning!

Read “Safety Informations” starting on page 3 before connecting the fixtures to AC mains power! Do not connect the fixture to an electrical dimmer system, as doing so may cause damage that is not covered by the product warranty!

#### 4.2.2 DC Power

ROXX NEO provides a 4-pin DC power input and enables the fixture to run on external battery power under the here below listed technical requirements:

DC Battery Voltage Range: 24-34V

Battery Mode Light Output: The maximum Output from NEO is limited according to the continuous discharge current from your battery and needs to be defined inside the menu under the item Battery Runtime:

9-12A : 200W max. Output

13-16A: 300W max. Output

17-20A: 400W max. Output

Requirements for your DC power cable:

Up to 13A - 2x1,5mm<sup>2</sup>

Up to 26A - 4x1,5mm<sup>2</sup>

Battery Runtime:

Battery Runtime can be selected from Off (maximum Output) to 1-8hours runtime. The fixtures calculates the output automatically according to your pre-selected Battery pack (100Wh, 190Wh, 290Wh) and the colors in use.

Level 1	Level 2	Level 3	Level 4	Level 5
<b>Menu</b> DMX Mode Stand Alone Slave ➔ Settings System Info	<b>Battery Runtime</b> ➔ <b>9-12A (200W)</b>	<b>Battery</b> ➔ 100Wh <b>190Wh</b> 290Wh	<b>Discharge current</b> ➔ 9-12A (200W) 13-16A (300W) 17-20A (400W)	<b>Runtime</b> Off ➔ <b>1-8 hours</b>

### 4.2.3 DMX Connection

The NEO is fully controllable by DMX (USITT DMX512-A standard, based on RS-485) and RDM. It can be connected using either DMX cables or via the built-in LumenRadio CRMX wireless system.

#### 4.2.3.1. Cable Connection

If using a cabled DMX system, connect the DMX IN cable to the input connector (male 5-pin XLR connector) and DMX OUT cable to the output (female 5-pin XLR connectors).

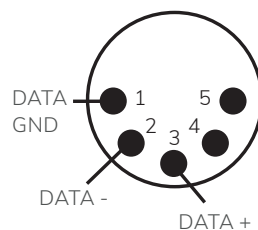
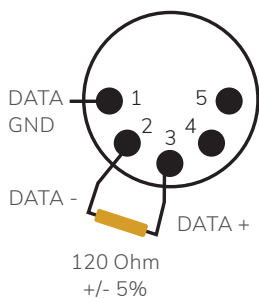
For outdoor installations, use only IP65-rated XLR connectors.

Use shielded twisted pair cable designed for RS-485 devices. The cables are daisy chained between the fixtures, and up to 32 fixtures can be connected to the same DMX link. Up to 300 meters (1000ft.) of cable is achievable with high quality DMX cables. All DMX links must be terminated in the last fixture by connecting a DMX termination plug to the last fixture's 5 pin DMX out connector.

Standard microphone cable is not suitable for transmitting DMX.

DMX Termination on last fixture DMX out

XLR pin out



#### 4.2.3.2. Wireless Connection\*

NEO is equipped with a LumenRadio™ Transceiver module.

This enables the fixture to work with the following connectivity options:

- ⊕ Working in Receiver Mode: receive wireless DMX- and RDM Signals via CRMX
- ⊕ Working in Transmitter Mode: transmit DMX (1 universe) to other units via CRMX
- ⊕ Full Control via Bluetooth 5.0 and ROXX App

The Fixture is able to send DMX-data received by CRMX or Bluetooth to its physical DMX-Output XLR Connector and hereafter, plugged in by cable, to any DMX-capable unit. For this please enable "Pass to DMX Out" inside Wireless DMX Settings.

NEO can act as a fully operative CRMX Receiver and be paired to an active wireless transmitter (CRMX) simultaneously as being connected to a cabled DMX. The device will prioritize cabled DMX input over wireless DMX and over Bluetooth. A small indicator in front of "DMX", "CRMX" or "BLE" gives an easy overview which protocol is currently active. Please see the display graphics below.

If using a wireless DMX system, ensure that the DMX input and the DMX output are properly sealed. Connect both DMX IN and DMX OUT, or seal, in order to maintain the fixture's IP65 rating.

**ⓘ \*Note: If you are using XLR for DMX and not Bluetooth we recommend to not connect to Bluetooth unless you need to since it can cause a few dropped DMX packets.**

**BLE and CRMX RX are not available simultaneously.**

- If CRMX RX is enabled and BLE will be enabled after, CRMX automatically changes to TX mode.
- If CRMX TX operating mode is changed to RX, BLE will be disabled automatically.

#### 4.2.3.2. Wireless Connection

<p>19 CH RGB</p> <p><b>1</b> Next ( 20 )</p> <p>•DMX</p>	<table border="1"> <tbody> <tr><td>CRMX</td><td>Disabled</td></tr> <tr><td>Operation Mode</td><td>n.a.</td></tr> <tr><td>Linked</td><td>No</td></tr> <tr><td>Receive Reset</td><td>No</td></tr> <tr><td>DMX</td><td><b>Enabled</b></td></tr> <tr><td>BLE (Bluetooth)</td><td>Disabled</td></tr> </tbody> </table>	CRMX	Disabled	Operation Mode	n.a.	Linked	No	Receive Reset	No	DMX	<b>Enabled</b>	BLE (Bluetooth)	Disabled	<p>The indicator in front of "DMX" shows that DMX is active.</p>
CRMX	Disabled													
Operation Mode	n.a.													
Linked	No													
Receive Reset	No													
DMX	<b>Enabled</b>													
BLE (Bluetooth)	Disabled													
<p>19 CH RGB</p> <p><b>1</b> Next ( 20 )</p> <p>• CRMX(RX) DMX</p>	<table border="1"> <tbody> <tr><td>CRMX</td><td><b>Enabled</b></td></tr> <tr><td>Operation Mode</td><td><b>RX</b></td></tr> <tr><td>Linked</td><td><b>No</b></td></tr> <tr><td>Receive Reset</td><td>Yes</td></tr> <tr><td>DMX</td><td>Disconnect</td></tr> <tr><td>BLE (Bluetooth)</td><td>Disabled</td></tr> </tbody> </table>	CRMX	<b>Enabled</b>	Operation Mode	<b>RX</b>	Linked	<b>No</b>	Receive Reset	Yes	DMX	Disconnect	BLE (Bluetooth)	Disabled	<p>The indicator in front of "CRMX (RX)" shows that the fixture is now working in wireless DMX receive mode.</p> <p>"(RX)"= CRMX operating mode is set to receive</p>
CRMX	<b>Enabled</b>													
Operation Mode	<b>RX</b>													
Linked	<b>No</b>													
Receive Reset	Yes													
DMX	Disconnect													
BLE (Bluetooth)	Disabled													
<p>19 CH RGB</p> <p><b>1</b> Next ( 20 )</p> <p>• CRMX(TX) DMX</p>	<table border="1"> <tbody> <tr><td>CRMX</td><td><b>Enabled</b></td></tr> <tr><td>Operation Mode</td><td><b>TX</b></td></tr> <tr><td>Linked</td><td><b>No</b></td></tr> <tr><td>Receive Reset</td><td>Yes</td></tr> <tr><td>DMX</td><td>Disconnect</td></tr> <tr><td>BLE (Bluetooth)</td><td>Disabled</td></tr> </tbody> </table>	CRMX	<b>Enabled</b>	Operation Mode	<b>TX</b>	Linked	<b>No</b>	Receive Reset	Yes	DMX	Disconnect	BLE (Bluetooth)	Disabled	<p>The indicator in front of "CRMX (TX)" shows that the fixture is now working in wireless DMX transmit mode.</p> <p>"(TX)"= CRMX operating mode is set to transmit</p>
CRMX	<b>Enabled</b>													
Operation Mode	<b>TX</b>													
Linked	<b>No</b>													
Receive Reset	Yes													
DMX	Disconnect													
BLE (Bluetooth)	Disabled													
<p>19 CH RGB</p> <p><b>1</b> Next ( 20 )</p> <p>• CRMX(RX) DMX</p>	<table border="1"> <tbody> <tr><td>CRMX</td><td><b>Enabled</b></td></tr> <tr><td>Operation Mode</td><td><b>RX</b></td></tr> <tr><td>Linked</td><td><b>Yes</b></td></tr> <tr><td>Receive Reset</td><td>Yes</td></tr> <tr><td>DMX</td><td>Disconnect</td></tr> <tr><td>BLE (Bluetooth)</td><td>Disabled</td></tr> </tbody> </table>	CRMX	<b>Enabled</b>	Operation Mode	<b>RX</b>	Linked	<b>Yes</b>	Receive Reset	Yes	DMX	Disconnect	BLE (Bluetooth)	Disabled	<p>Once the fixture is linked to an external transmitter, the CRMX signal-symbol appears on upper left side.</p> <p>1 dash= 1-30% signal strength 2 dashes= 31-70% signal strength 3 dashes= 71-100% signal strength</p>
CRMX	<b>Enabled</b>													
Operation Mode	<b>RX</b>													
Linked	<b>Yes</b>													
Receive Reset	Yes													
DMX	Disconnect													
BLE (Bluetooth)	Disabled													
<p>19 CH RGB</p> <p><b>1</b> Next ( 20 )</p> <p>• CRMX(TX) DMX</p>	<table border="1"> <tbody> <tr><td>CRMX</td><td><b>Enabled</b></td></tr> <tr><td>Operation Mode</td><td><b>TX</b></td></tr> <tr><td>Linked</td><td><b>Yes</b></td></tr> <tr><td>Receive Reset</td><td>Yes</td></tr> <tr><td>DMX</td><td>Disconnect</td></tr> <tr><td>BLE (Bluetooth)</td><td>Disabled</td></tr> </tbody> </table>	CRMX	<b>Enabled</b>	Operation Mode	<b>TX</b>	Linked	<b>Yes</b>	Receive Reset	Yes	DMX	Disconnect	BLE (Bluetooth)	Disabled	<p>Once the fixture is linked to an external transmitter, the CRMX signal-symbol appears on upper left side.</p> <p>1 dash= 1-30% signal strength 2 dashes= 31-70% signal strength 3 dashes= 71-100% signal strength</p>
CRMX	<b>Enabled</b>													
Operation Mode	<b>TX</b>													
Linked	<b>Yes</b>													
Receive Reset	Yes													
DMX	Disconnect													
BLE (Bluetooth)	Disabled													
<p>19 CH RGB</p> <p><b>1</b> Next ( 20 )</p> <p>• CRMX(RX) DMX</p>	<table border="1"> <tbody> <tr><td>CRMX</td><td><b>Enabled</b></td></tr> <tr><td>Operation Mode</td><td><b>RX</b></td></tr> <tr><td>Linked</td><td><b>Yes, out of range</b></td></tr> <tr><td>Receive Reset</td><td>Yes</td></tr> <tr><td>DMX</td><td>Disconnect</td></tr> <tr><td>BLE (Bluetooth)</td><td>Disabled</td></tr> </tbody> </table>	CRMX	<b>Enabled</b>	Operation Mode	<b>RX</b>	Linked	<b>Yes, out of range</b>	Receive Reset	Yes	DMX	Disconnect	BLE (Bluetooth)	Disabled	<p>In case the external transmitter is switched off or out of signal range the signal-symbol starts to blink.</p>
CRMX	<b>Enabled</b>													
Operation Mode	<b>RX</b>													
Linked	<b>Yes, out of range</b>													
Receive Reset	Yes													
DMX	Disconnect													
BLE (Bluetooth)	Disabled													
<p>19 CH RGB</p> <p><b>1</b> Next ( 20 )</p> <p>• CRMX(RX) DMX</p>	<table border="1"> <tbody> <tr><td>CRMX</td><td><b>Enabled</b></td></tr> <tr><td>Operation Mode</td><td><b>RX</b></td></tr> <tr><td>Linked</td><td><b>Yes, but no DMX</b></td></tr> <tr><td>Receive Reset</td><td>Yes</td></tr> <tr><td>DMX</td><td>Disconnect</td></tr> <tr><td>BLE (Bluetooth)</td><td>Disabled</td></tr> </tbody> </table>	CRMX	<b>Enabled</b>	Operation Mode	<b>RX</b>	Linked	<b>Yes, but no DMX</b>	Receive Reset	Yes	DMX	Disconnect	BLE (Bluetooth)	Disabled	<p>An exclamation appears and blinks although the external transmitter is switched on and is inside the signal range but no DMX is connected to the external transmitter.</p>
CRMX	<b>Enabled</b>													
Operation Mode	<b>RX</b>													
Linked	<b>Yes, but no DMX</b>													
Receive Reset	Yes													
DMX	Disconnect													
BLE (Bluetooth)	Disabled													

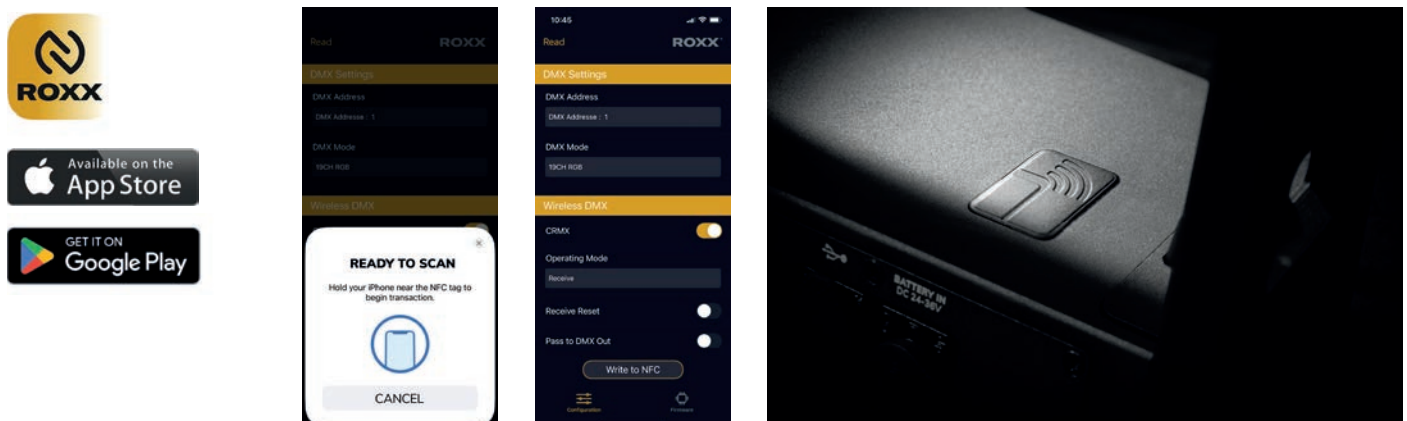
### 4.2.3.2. Wireless Connection

<p>19 CH RGB</p> <p><b>1</b> Next ( 20 )</p> <p>• BLE DMX</p>	<table border="1"> <tr><td>CRMX</td><td>Disabled</td></tr> <tr><td>Operation Mode</td><td>n.a.</td></tr> <tr><td>Linked</td><td>No</td></tr> <tr><td>Receive Reset</td><td>No</td></tr> <tr><td>DMX</td><td>Disconnect</td></tr> <tr><td>BLE (Bluetooth)</td><td><b>Enabled + Paired</b></td></tr> </table>	CRMX	Disabled	Operation Mode	n.a.	Linked	No	Receive Reset	No	DMX	Disconnect	BLE (Bluetooth)	<b>Enabled + Paired</b>	<p>The indicator in front of "BLE" shows that the fixture is now working in Bluetooth mode and is paired to ROXX App.</p>
CRMX	Disabled													
Operation Mode	n.a.													
Linked	No													
Receive Reset	No													
DMX	Disconnect													
BLE (Bluetooth)	<b>Enabled + Paired</b>													
<p>19 CH RGB</p> <p><b>1</b> Next ( 20 )</p> <p>CRMX(TX) • BLE DMX</p>	<table border="1"> <tr><td>CRMX</td><td><b>Enabled</b></td></tr> <tr><td>Operation Mode</td><td><b>TX</b></td></tr> <tr><td>Linked</td><td><b>Yes</b></td></tr> <tr><td>Receive Reset</td><td>No</td></tr> <tr><td>DMX</td><td>Disconnect</td></tr> <tr><td>BLE (Bluetooth)</td><td><b>Enabled + Paired</b></td></tr> </table>	CRMX	<b>Enabled</b>	Operation Mode	<b>TX</b>	Linked	<b>Yes</b>	Receive Reset	No	DMX	Disconnect	BLE (Bluetooth)	<b>Enabled + Paired</b>	<p>The indicator in front of "BLE" shows that the fixture is now working in Bluetooth mode and is paired to ROXX App.</p> <p>As CRMX TX is enabled and linked a full DMX universe is send out by CRMX (wireless DMX).</p>
CRMX	<b>Enabled</b>													
Operation Mode	<b>TX</b>													
Linked	<b>Yes</b>													
Receive Reset	No													
DMX	Disconnect													
BLE (Bluetooth)	<b>Enabled + Paired</b>													
<p>19 CH RGB</p> <p><b>1</b> Next ( 20 )</p> <p>CRMX(TX) BLE DMX</p>	<table border="1"> <tr><td>CRMX</td><td><b>Enabled</b></td></tr> <tr><td>Operation Mode</td><td><b>TX</b></td></tr> <tr><td>Linked</td><td><b>Yes</b></td></tr> <tr><td>Receive Reset</td><td>No</td></tr> <tr><td>DMX</td><td>Disconnect</td></tr> <tr><td>BLE (Bluetooth)</td><td><b>Enabled, not paired</b></td></tr> </table>	CRMX	<b>Enabled</b>	Operation Mode	<b>TX</b>	Linked	<b>Yes</b>	Receive Reset	No	DMX	Disconnect	BLE (Bluetooth)	<b>Enabled, not paired</b>	<p>No indicator in front of "BLE", fixture is not paired to ROXX App.</p>
CRMX	<b>Enabled</b>													
Operation Mode	<b>TX</b>													
Linked	<b>Yes</b>													
Receive Reset	No													
DMX	Disconnect													
BLE (Bluetooth)	<b>Enabled, not paired</b>													
<p>19 CH RGB</p> <p><b>1</b> Next ( 20 )</p> <p>CRMX(TX) BLE • DMX</p>	<table border="1"> <tr><td>CRMX</td><td><b>Enabled</b></td></tr> <tr><td>Operation Mode</td><td><b>TX</b></td></tr> <tr><td>Linked</td><td><b>Yes</b></td></tr> <tr><td>Receive Reset</td><td>No</td></tr> <tr><td>DMX</td><td><b>Connect</b></td></tr> <tr><td>BLE (Bluetooth)</td><td>Enabled</td></tr> </table>	CRMX	<b>Enabled</b>	Operation Mode	<b>TX</b>	Linked	<b>Yes</b>	Receive Reset	No	DMX	<b>Connect</b>	BLE (Bluetooth)	Enabled	<p>DMX is active.</p> <p>As CRMX TX is enabled and linked a full DMX universe is send out by CRMX (wireless DMX).</p>
CRMX	<b>Enabled</b>													
Operation Mode	<b>TX</b>													
Linked	<b>Yes</b>													
Receive Reset	No													
DMX	<b>Connect</b>													
BLE (Bluetooth)	Enabled													

### 4.3. NFC (Near Field Communication)

NEO integrates a NFC chip (Near Field Communication) and allows in conjunction with ROXX NFC App to address and configure the fixtures wirelessly even when the fixture power is not prevent. Additionally, the fixtures firmware can be read out and updated to latest version. For this please make sure NEO stays AC powered during update process.

The NFC chip is based on it's lower housing part, close to the CRMX antenna. To get a proper connection between your mobile phone and NEO, please make sure that your phone is very close to the NFC.

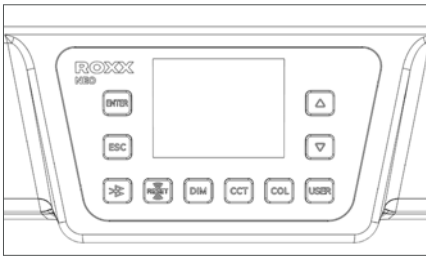


## 5. OPERATION

### 5.1 Start up\*

Once the fixture is connected to AC power, the boot process starts and the following information will appear on the display:

“Ready to ROXX”, the product name and the current software version.



After this process, the fixture is ready for operation, and starts in the previously enabled mode.

**\*Note:**

**During boot process the fan spins up quickly to blow out some possible dust from last use.**

### 5.2 Control Display\*

2.0" TFT Display with ten backlit control buttons



Press **ENTER** to access the selection menu for system settings or confirm changes.



Press **ESC** to take a step back in the menu.



Press **arrows to scroll up and down** inside the menu and change values, such as DMX address.

**\*Note:**

**After approximately 1 minute of inactivity inside the menu settings, the display will automatically jump back to home screen.**

### 5.3 Display Short Cuts\*

Short Cuts

For some always recurring functions the fixture allows quick and user-friendly access at home screen over some display control short-cuts:

#### User Reset or Factory Reset\*



Pressing **ESC+ENTER** simultaneously a Factory Reset or User Reset can be started.

By using the up/down arrows the Factory- or User Reset can be selected.

For confirming press **ENTER**, to jump back please press **ESC**.

**\*Note:**

**For detailed information about the different reset options please refer to chapter "5.4.6.1 Reset functions"**

### Display Off



Pressing ESC + arrow down simultaneously the display backlight function will set to off and the display will turn off immediately. Once a control is pressed the display backlight will turn on.

### Manual display flip function\*



The fixture includes an auto display flip function by default.

To use the manual display flip function please disable the auto flip function under Settings / Display first. Once the auto display flip function is disabled you can use the manual display flip function by pressing arrow up + arrow down simultaneously. The display will rotate 180. By pressing both arrows simultaneously again the display will flip back.

#### \*Note:

**Once the display is flipped both Up / Down controls will work according to the display rotation.**



## 5.4 Configuration

### Home Screen

After boot process the fixture is ready for operation and starts in the previously enabled mode. At home screen the following information will appear, depending on the current operating mode:

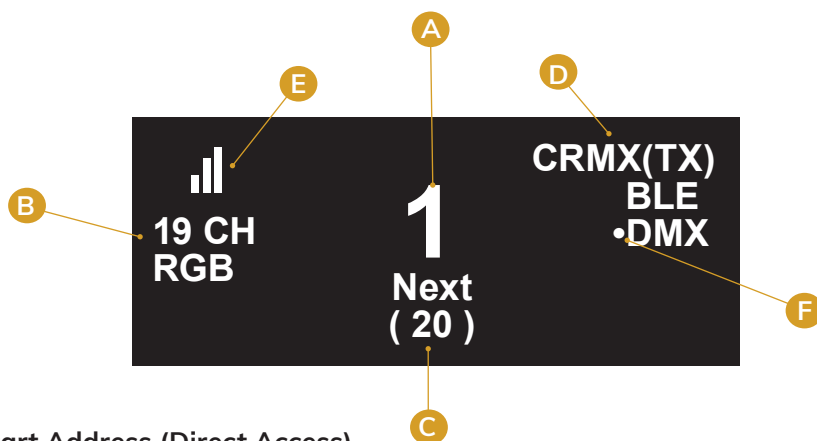
- A** DMX Adress
- B** Operating Mode (DMX Mode, Quick Light or Standalone Mode)
- C** Next available DMX address depending on the fixtures DMX footprint
- D** External Data protocol (CRMX, DMX, BLE).
- E** CRMX status and strength
- F** The dot indicates the active protocol

Note:

**CRMX (RX)** CRMX Receiving Mode

**CRMX (TX)** CRMX Transmit Mode

**BLE** Bluetooth enabled



#### 5.4.1 Set DMX Start Address (Direct Access)

At Home Screen the DMX address can be changed directly by using the up and down arrows. During this process the DMX address starts blinking, once it's confirmed by pressing ENTER it stops blinking.

If the DMX address will not be confirmed by ENTER within 10 seconds, the display will jump back and show the DMX address from before and stops blinking.

#### 5.4.2 Selecting DMX Mode\*

At home screen please press ENTER to access to the main menu (level 1).

While using UP / DOWN arrows, please select the menu item "DMX Mode" and confirm by pressing ENTER.

In the following sub-menu (level 2), you can now choose between 16 different DMX operating modes while using the UP/Down arrows and confirm by pressing ENTER or jump back by pressing ESC.

After confirmation the display will jump back to main menu (level 1). Press ESC for homescreen, here the selected DMX mode will be displayed.

**\*Note:**

**For detailed information about the several DMX modes including channel assignment please see our DMX Control chart.**

Level 1

Menu
<ul style="list-style-type: none"> <li>➤ DMX Mode</li> <li>Stand Alone</li> <li>Slave</li> <li>Settings</li> <li>System Info</li> </ul>

Level 2

DMX Mode
<ul style="list-style-type: none"> <li>➤ 3CH CCT</li> <li>3CH RGB</li> <li>6CH RGB</li> <li>8CH RGB</li> <li><b>19CH RGB</b></li> <li>23CH RGB</li> <li>4CH DIRECT</li> <li>8CH DIRECT</li> <li>9CH DIRECT</li> <li>21CH DIRECT</li> <li>26CH DIRECT</li> <li>17CH HSI</li> <li>16CH PURE</li> <li>29CH PURE</li> <li>28CH FULL ACCESS</li> <li>44CH FULL ACCESS</li> </ul>

### 5.4.3 Stand Alone\*

Press ENTER to access to main menu (level 1).

While using the UP / DOWN arrows, please select the menu item “Stand Alone” and confirm by pressing ENTER.

In the following sub-menu (level 2), you can now choose between 6 different Stand Alone operating modes (Auto, Editor, Color Macro, Quick Color, Tunable White, User Color) ,Stop Stand Alone, Timer and Color Settings functions while using the UP/Down arrows and confirm by pressing ENTER or jump back by pressing ESC.

To finally use Stand Alone programs please make sure either DMX, CRMX RX or BLE is connected to the fixture, as these protocols have priority.

#### Stop Stand Alone

To stop a running Stand Alone mode immediately, please select “Stop Stand Alone” and confirm by pressing ENTER. The display will automatically jump back to level 1.

Level 1

Menu
<ul style="list-style-type: none"> <li>DMX Mode</li> <li>➤ Stand Alone</li> <li>Slave</li> <li>Settings</li> <li>System Info</li> </ul>

Level 2

Stand Alone Mode
<ul style="list-style-type: none"> <li>➤ Stop Stand Alone</li> <li>Auto</li> <li>Editor</li> <li>Color Macro</li> <li>Quick Color</li> <li>Tunable White</li> <li>User Color</li> <li>Timer</li> <li>Color Settings</li> </ul>

**Auto\***

Select "Auto" by using the up/down arrows and press ENTER.

Here at sub-menu (level 3), you can choose between 20 different Auto Programs and Stop Program. Using the Up/Down arrows you can select one of the 10 auto programs and confirm by pressing ENTER or step back by ESC.

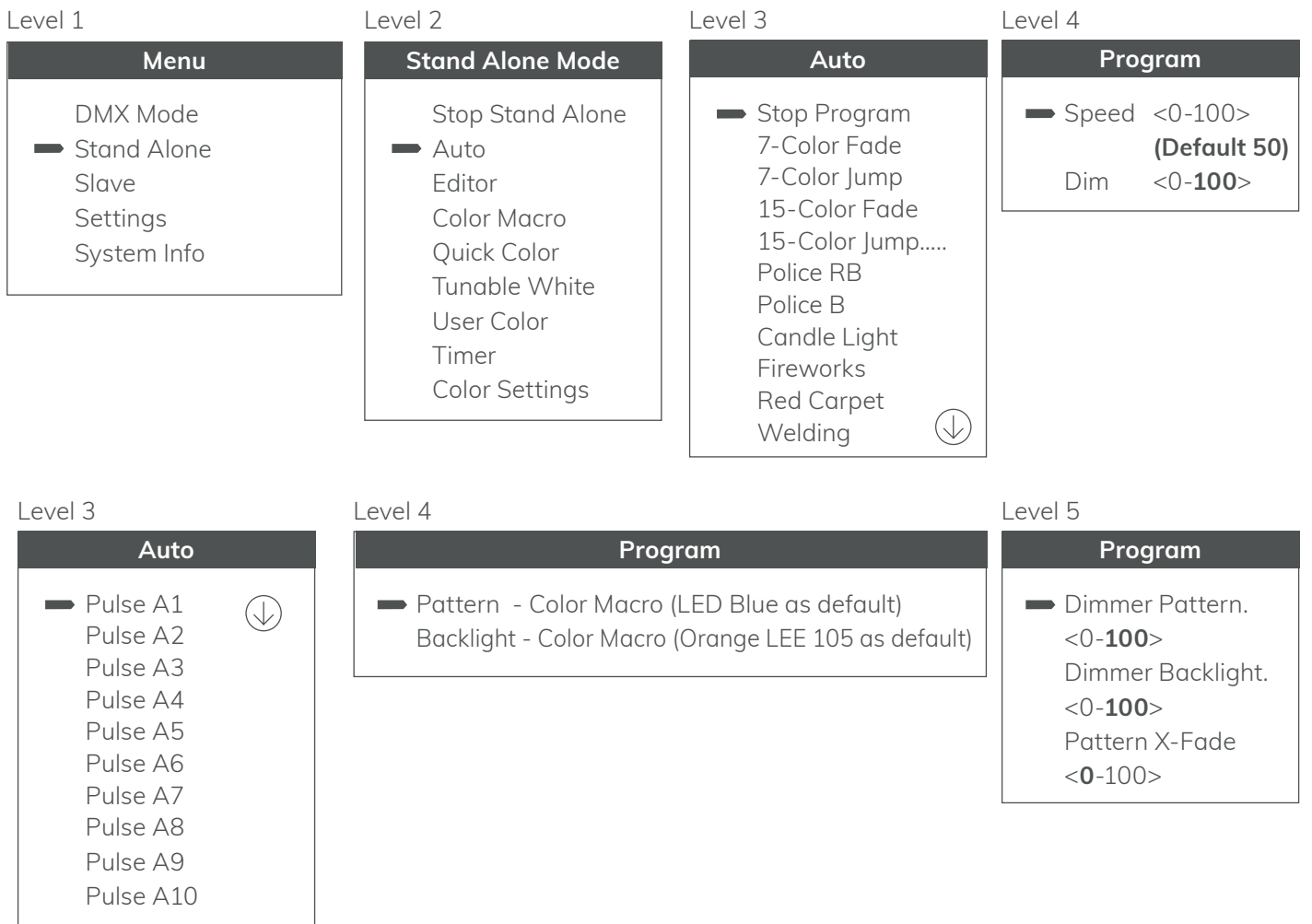
After confirming your preferred Auto Program, you can now adjust speed and brightness at level 4. For all Pattern effects you can select the Colors for Pattern and Backlight on level 4, Dimmer and Pattern X-fade on level 5

To adjust speed, please use the UP / DOWN arrows to select the menu item "Speed", and confirm with ENTER. After use UP / DOWN arrows to adjust the speed value between 000-100 and confirm by ENTER or jump back by ESC.

To adjust brightness please select "Dim" as per the procedure previously described and confirm with ENTER. After use UP / DOWN arrows again to adjust the brightness value between 000-100 and confirm by ENTER or jump back by ESC. Same with the other adjustable functions.

Once it's confirmed or denied the display will automatically jump back to level 3. To stop running a selected auto program please chose "Stop Program" at level 3 or "Stop Stand Alone" at level 2. For returning back to homescreen please press ESC three times. At homescreen the selected Stand Alone mode "Auto" and the selected program will be displayed.

**\*Note: Using arrows UP /DOWN at homescreen Auto programs can be directly changed according to the list.**



### Editor\*

At Editor you have up to three customizable programs which can be defined and run from the menus.

Each of the three values contains twenty four user-definable scenes with its own values for RGBL (RAW) or RGB (Calibrated) and shutter, playing continuously in a loop. Each scene has a definable fade-in time for the transition from one color to the other and wait-time.

To define a program please press ENTER to access to main menu (level 1).

While using the UP / DOWN arrows, please select the menu item "Stand Alone" and confirm by pressing ENTER.

Level 1

Menu
DMX Mode
█ Stand Alone
Slave
Settings
System Info

Level 2

Stand Alone Mode
Stop Stand Alone
Auto
█ Editor
Color Macro
Quick Color
Tunable White
User Color
Timer
Color Settings

Select "Editor" by using the up/down arrows and press ENTER.

Here at sub-menu (level 3) you can choose between Program 1-3, Dimmer and Stop Program. Using the Up/Down arrows you can select program 1, 2 or 3 and confirm by pressing ENTER or step back by ESC. After confirming your preferred program, you can now choose between Scene 1-24. Select one of the scenes and press ENTER or step back by ESC. At level 5 you can now set your color, shutter and fade / wait time in minutes and seconds. For creating a color jump please set value for "Fade Time" to 0, and "Wait Time" to at least 1 second.

Once it's set your first scene is programmed.

You can now jump back to level 3 by using ESC. Here your program will starts automatically. For creating more scenes please use the same procedure. To stop an active program please press ESC and select "Stop Program" at level 3 or "Stop Stand Alone" at level 2. To start again, please re-select your preferred program, it will starts automatically again. To adjust the master brightness for program 1-3, you can use the item "Dimmer" at level 3 and select between 000-100 and confirm by ENTER or jump back by ESC.

**ⓘ \*Note: Once "Factory Calibration" is selected under "Color Settings" inside Stand Alone, only values for RGB are available here.**

**Using UP / DOWN arrows at homescreen Editor program can be directly changed according to the list. For choosing the right strobe effect please follow the Strobe Channel from our DMX chart at the end of this manual.**

Level 3

Editor
Program 1
█ Program 2
Program 3
Dim <0-100>
Stop Program

Level 4

Program
█ Scene 1
Scene 2
Scene 3
...max. 24 Scenes

Level 5

Scene	
Red	<0-255>
Green	<0-255>
Blue	<0-255>
Lime	<0-255>
Shutter	<0-255>
Fade Time (min.)	<0-480>
Fade Time (sec.)	<0-59>
Wait Time (min.)	<0-720>
Wait Time (min.)	<0-59>

### Color Macro\*

46 different color macros (34x matched LEE color filters, 6 LED colors and 6 different Whites) are available as presets. For each the brightness can be adjusted separately.

Level 1

Menu
DMX Mode
➤ Stand Alone
Slave
Settings
System Info

Level 2

Stand Alone Mode
Stop Stand Alone
Auto
Editor
➤ Color Macro
Quick Color
Tunable White
User Color
Timer
Color Settings

Level 3

Color Macro
Color Off
➤ Color Macros
Color Macro Chart
Dim <0-100>

To select a color macro please press ENTER to access to main menu (level 1). While using the UP / DOWN arrows select the menu item "Stand Alone" and confirm by pressing ENTER. After please select the item "Color Macro" by using the up/down arrows and press ENTER again.

Using UP and DOWN controls, select your desired color preset and confirm with ENTER.

At level 3 you can adjust the brightness for the color preset between 000-100. Confirm by ENTER. For color blackout choose the item "Color Off".

**Note:** Using UP / DOWN arrows at homescreen Color Macros can be changed according to the list.

Level 4

Gels - Color Macros for Standalone Mode			Gels - Color Macros for Standalone Mode			Gels - Color Macros for Standalone Mode		
Pos.	Gel Name	Color Number	Pos.	Gel Name	Color Number	Pos.	Gel Name	Color Number
1	Red	100% Red LED	17	jade	LEE 323	33	Special Med Lavender	LEE 343
2	Fire	LEE 019	18	Blue	100% Blue LED	34	Ultimate Violet	LEE 707
3	Medium Red	LEE 027	19	Sky Blue	LEE 068	35	Magical Magenta	LEE 795
4	Primary Red	LEE 106	20	Tokyo Blue	LEE 071	36	Chrysalis Pink	LEE 798
5	Med Amber	LEE 020	21	Light Blue	LEE 118	37	Specia KH Lavender	LEE 799
6	Dark Amber	LEE 022	22	Marine Blue	LEE 131	38	Bulb White	2700K / High CRI
7	Deep Amber	LEE 104	23	Med Blue	LEE 132	39	Halogen White	3200K / High CRI
8	Orange	LEE 105	24	Congo Blue	LEE 181	40	Neutral White	4200K / High CRI
9	Deep Golden Amber	LEE 135	25	Mikkel Blue	LEE 716	41	Daylight White	5600K / High CRI
10	Yellow	LEE 101	26	Rose Pink	LEE 002	42	Cold White I	6000K / High CRI
11	Green	100% Green LED	27	Med Pink	LEE 036	43	Cold White II	6300K / High CRI
12	Lime Green	LEE 088	28	Light Lavender	LEE 052	44	Amber (only if available)	100% Amber LED
13	Moss Green	LEE 089	29	Lavender	LEE 058	45	Lime (only if available)	100% Lime LED
14	LEE Green	LEE 121	30	Magenta	LEE 113	46	Cyan (only if available)	100% Cyan LED
15	Primary Green	LEE 139	31	Mauve	LEE 126			
16	Jas Green	LEE 738	32	Smokey Pink	LEE 127			

### Quick Color\*

The standalone mode “Quick Color” allows a direct adjustment of the single LED colors R, G, B, L, Dimmer and Shutter.

Level 1

Menu
DMX Mode
█ Stand Alone
Slave
Settings
System Info

Level 2

Stand Alone Mode
Stop Stand Alone
Auto
Editor
Color Macro
█ Quick Color
Tunable White
User Color
Timer
Color Settings

Level 3

Quick Color
Dimmer <0- <b>100</b> >
Shutter <0- <b>255</b> >
Red < <b>0</b> -255>
Green < <b>0</b> -255>
Blue < <b>0</b> -255>
Lime < <b>0</b> -255>

To adjust your Quick Color please press ENTER to access to main menu (level 1).

While using the UP / DOWN arrows select the menu item “Stand Alone” and confirm

by pressing ENTER. After please select the item “Quick Color” by using the up/down arrows and press ENTER again.

Using UP and DOWN controls, select your desired color and confirm with ENTER.

After you can adjust the brightness for the color between 000-255 and confirm by ENTER.

Besides the individual color mix also a master dimmer can be adjusted between 000-100.

For strobe effects please adjust the Shutter value between 000-255.

ⓘ **\*Note: Please see detailed explanation for strobe effects inside DMX chart at the end of this manual. If “Factory Calibration” is selected in “Color Settings” only R,G,B is available here.**

Using UP/DOWN arrows at homescreen you can change Quick Color’s dimmer value.

### Tunable White\*

The standalone mode “Tuneable White” allows the color temperature (CCT) to be adjusted from 2.000K – 10.000K in 100K steps. Besides brightness and shutter also a +/- green and magenta correction is available.

Level 1

Menu
DMX Mode
█ Stand Alone
Slave
Settings
System Info

Level 2

Stand Alone Mode
Stop Stand Alone
Auto
Editor
Color Macro
Quick Color
█ Tunable White
User Color
Timer
Color Settings

Level 3

Tunable White
CCT < <b>2000K</b> -10.000>
TINT < <b>000</b> > (+/-127)
Dimmer <0- <b>255</b> >
Shutter <0- <b>255</b> >

Starting from home screen press ENTER to access to main menu (level 1).

While using the UP / DOWN arrows select the menu item “Stand Alone” and confirm by pressing ENTER.

After please select the item “Tunable White” by using the up/down arrows and press ENTER again.

Using UP and DOWN controls to select your desired menu item, confirm by ENTER and adjust the desired value by up and down controls and confirm all entries with ENTER.

**i \*Note:**

**Tint values**

- 000** = no function/neutral
- 001 - 127** = + green
- 001 to - 127** = - green

**i \*Note: Using UP/DOWN arrows at homescreen the selected CCT value can be changed in +/- 100K steps. Shutter: Please see detailed explanation for strobe effects inside DMX chart at the end of this manual.**

**User Color\***

The standalone mode “User Color” allows to store up to 5 customized color presets out of Red, Green, Blue, Lime, brightness and shutter.

Level 1	Level 2	Level 3	Level 4
<b>Menu</b>	<b>Stand Alone Mode</b>	<b>User Color</b>	<b>User Color</b>
DMX Mode <b>█</b> Stand Alone Slave Settings System Info	Stop Stand Alone Auto Editor Color Macro Quick Color Tunable White <b>█</b> User Color Timer Color Settings	Color 1 Color 2 Color 3 Color 4 Color 5	Dimmer <0- <b>100</b> > Shutter <0- <b>255</b> > Red < <b>0</b> -255> Green < <b>0</b> -255> Blue < <b>0</b> -255> Lime < <b>0</b> -255>

To define a User Color please press ENTER to access to main menu (level 1). While using the UP / DOWN arrows, please select the menu item “Stand Alone” and confirm by pressing ENTER. Select the item menu “User Color” by using the up/down controls and press ENTER. Using UP and DOWN select your desired preset number (Color 1 -5) and confirm with ENTER. Use UP and DOWN controls to select your desired color, confirm by ENTER and adjust the value by up and down controls between 000-255 and confirm all entries with ENTER. With dimmer you can adjust the allover brightness of your User Color. Shutter allows several strobe effects. Once your color mix is ready, jump back by ESC. Your individual color is stored under the selected color preset now.

**i \*Note: All five User Colors are also available by DMX at Color Macro channel. Using one of the RGB DMX modes, only User Colors mixed out of RGB values are available. For Direct modes, both RGB and RGLB User Colors are available. For detailed information please see Color Macro Chart at the end of this manual. Using UP/DOWN arrows at homescreen the Color Macros can be changed according to the list.**

**Shutter: Please see detailed explanation for strobe effects inside DMX chart at the end of this manual.**

### Timer\*

Via the internal timer function, all Stand Alone modes except "Auto" and "Editor" can be conveniently faded in and out after the function is enabled in the previously activated standalone mode, without the need for an external controller. Also it remains active even the fixture is switched off and restarted. Simultaneously, the timer function is available via cable as well as via wireless DMX for master & slave operation. The fade-in time can be set from 0 to 60 minutes, the dwell time from 1 to 24 hours and the fade-out time from 0 to 60 minutes.

To select "Timer" please press ENTER to access to main menu (level 1). While using the UP / DOWN arrows, please select the menu item "Stand Alone" and confirm by pressing ENTER.

Level 1

Menu
DMX Mode
➤ Stand Alone
Slave
Settings
System Info

Level 2

Stand Alone Mode
Stop Stand Alone
Auto
Editor
Color Macro
Quick Color
Tunable White
User Color
➤ Timer
Color Settings

Level 3

Timer	
Timer	<On / Off>
Fade In	<0-60 min> 1 minute steps
Dwell Time	<1-24h> 1 hour steps
Fade Out	<0-60 min> 1 minute steps

Select the item menu "Timer" by using the up/down controls and press ENTER. Now you can activate / deactivate the Timer function, select "Fade In", "Dwell Time" or "Fade Out" for the individual settings and confirm with ENTER. In each case a three-digit number field will be displayed. Use UP and DOWN to set the value as required from 000 to 060 minutes for "Fade In" and "Fade Out", or 001 to 024 hours for the "Dwell Time". Confirm by pressing ENTER again. After all time settings have been configured, please activate the timer function by selecting the submenu item "Timer On/Off" using UP and DOWN, confirm with ENTER, select "On" and confirm with ENTER again.

To disable the timer function, please select "Off" and confirm by ENTER.

ⓘ **\*Note: Please don't forget to select one of the Stand Alone modes for "Startup Mode" at "Settings".**

### Color Settings\*

Here at "Color Settings" you can chose your preferred working color mode for all Stand Alone color modes. Either Factory Calibrated or RAW. Factory color calibration of R, G, B, L for a maximum of color consistency from unit to unit. Please note If this function is activated only RGB is available at User Color and Quick Color. For a maximum of saturation please chose RAW mode.

Level 1

Menu
DMX Mode
➤ Stand Alone
Slave
Settings
System Info

Level 2

Stand Alone Mode
Stop Stand Alone
Auto
Editor
Color Macro
Quick Color
Tunable White
User Color
Timer
➤ Color Settings

Level 3

Color Settings
➤ Factory Calibrated
RAW



## 5.4.5 Settings

Level 1

Menu
DMX Mode
Stand Alone
Slave
▀ Settings
System Info

Main Menu	Menu level 2	Menu level 3	Menu level 4	Description
Settings	Wireless DMX	CRMX	<on/off>	On=CRMX enabled / Off= CRMX disabled
		Operating Mode	<receive/transmit>	Receive= CRMX module as Receiver Transmit= CRMX module as Transmitter
		Transmit Link	<no/yes>	Yes= pair with CRMX devices. CRMX must be activated on all devices and the pairing must be picked up by a transmitter (Receive Reset). No= Linking disabled
		Receive Reset	<no/yes>	Yes = retain transmitter pairing No = do not retain transmitter pairing
		Pass to DMX Out	<no/yes>	Yes= incoming wireless DMX and BLE signal will be passed to wired DMX out  No= incoming wireless DMX and BLE signal will not be passed to wired DMX out
		Signal Strength	0-100	CRMX signal strength
		BLE	<on/off>	On= BLE enabled / Off= BLE disabled
		BLE Link	<no/yes>	Link = starts bluetooth advertising for at least 1 minute
		BLE Password	<000000>	Set 6-digits user Password for connection to your mobile device (ROXXAPP)
		Protocol	<b>DMX</b>	
Slave				Confirm with ENTER, after Slave Mode is activated Display will show Slave Mode.  Connect the master and slave units (same model) with either DMX cable or Wireless DMX (set Master to Transmit mode, Slave to Receive mode) and enable one of the standalone modes on the master unit (Auto, Quick Color).

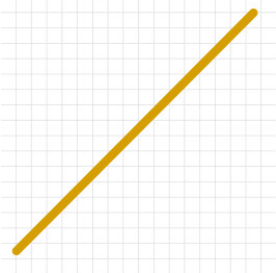
Main Menu	Menu level 2	Menu level 3	Menu level 4	Description	
	Display	Auto Flip	<on/off>	On= Auto-Display-Flip-Function enabled Off= Auto-Display-Flip-Function disabled	
		Backlight	<on/off>	On= controls permanent on, display itself will deactivate after 60 minutes of inactivity Off= controls and display deactivation after approximately 1 minute of inactivity	
		Auto Lock	<on/off>	On= Automatically locks the controls after approximately 1 minute of inactivity. After attempted input the display shows: „Locked!“ Unlock process: press arrows up, down, up, down consecutively	
		User Control	Auto FX		
			Quick Color		
	<b>Tint</b>				
	User Colors				
			Highlight (5600K)	If "Highlight" is selected here, and "USER" control button on the display is pressed, the fixture will show 5600K White for 15 seconds, even an outside protocol like DMX or Wireless DMX is connected. After 15sec. the fixture will display the DMX signal again. If no DMX is connected, please show blackout after 15 seconds.	
	Startup Mode (using last adjustments of specific Standalone Modes)	<b>DMX</b>		Select your default operating mode when fixture is powered on	
		Auto			
		Editor			
		Color Macro			
		Quick Color			
Tunable White					
User Color					
DMX Fail	<b>Hold</b> (factory default)		Hold= last command retains		
	Blackout		Blackout= Activates Blackout		
	Emergency Light		Emergency Light= Fixtures changes to 5600K		
Battery Runtime	Battery 100Wh	<b>discharge current 9-12A (200W)</b>	Off <b>1hour</b> - 8hours (set in 1h increments)		
	<b>Battery 190Wh</b>	discharge current 13-16A (300W)			
	Battery 290Wh	discharge current 17-20A (400W)			
Dimmer Curve	<b>Linear</b>		Linear= Light intensity increases linear with DMX value		
	Exponential		Exponential= Light intensity can be set more smooth at lower DMX values and broadly at higher DMX values.		
	Logarithmic		Light intensity can be broadly adjusted at lower DMX values and more smooth at higher DMX values		
	S-Curve		Light intensity can be adjusted smoothly at lower and higher DMX values and broadly at medium DMX values		

Main Menu	Menu level 2	Menu level 3	Menu level 4	Description
Dimmer Response		<b>LED</b>		The LED responds abruptly to it's DMX values
		Halogen		The LED responds similar to a halogen fixture with soft changes at brightness.
Color Calibration		<b>Normal CRI</b>		
		High CRI		
RAW Balance (affects RAW Mode in DMX and Stand-alone control)		User Calibration	Red <0-255>	Individual color calibration for R,G,B,L
			Green <0-255>	
			Blue <0-255>	
			Lime <0-255>	
LED Frequency		800 Hz	Select preferred LED PWM frequency	
		<b>1200 Hz</b>		
		2000 Hz		
		3600 Hz		
		12000 Hz		
		25000 Hz		
Fan		<b>Auto 1</b>		Adjust fan speed relative to internal fixture temperature, maximum 2500rpm
		Auto 2		Adjust fan speed relative to internal fixture temperature, maximum 3000rpm
		Silent		Low fan speed for silent operation, maximum 1800rpm
		Studio		Low fan speed for silent operation, maximum 1500rpm
		Fan Off		Fan Off
		Max Power		High fan speed for maximum cooling effect, maximum 3000rpm
Invert Mapping		Invert	<b>On / Off</b>	
Redshift		<b>On / Off</b>	On= Activates Redshift, Off= Deactivates Redshift	Redshift function simulate traditional halogen fixtures while dimming down. Redshift affects only between 2700-3500K.
USB Update		Auto		Runs firmware update automatically, once USB stick gets plugged in
		<b>Manual</b>		Runs firmware update manually after USB stick gets plugged in
		No		Do not run firmware update via USB port

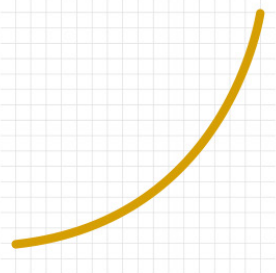
Main Menu	Menu level 2	Menu level 3	Menu level 4	Menu Level 5		
Settings	Factory / User Reset  For more and detailed information about the different reset options please refer to chapter "5.4.6.1 Reset functions"	Factory Reset	Are you sure to reset? / Confirm by pressing ENTER, cancel with ESC	Restores all factory defaults , but not User defaults and no User Colors		
		User Reset	Are you sure to reset? / Confirm by pressing ENTER, cancel with ESC	Restores all User Reset according to the User Preset List. User Colors will not set back. Timer Function and DMX address restore to Factory default. Once User Reset is activated a fixture self test will start. Self Test is not available while activating User Rest by DMX Settings.		
		User Reset List	DMX Mode 3CH CCT, 3CH RGB, 6CH RGB, 8CH RGB, 19CH RGB, 23CH RGB, 4CH DIRECT, 8CH DIRECT, 9CH DIRECT, 21CH DIRECT, 26CH DIRECT, 17CH HSI, 16CH PURE, 29CH PURE, 28CH FULL ACCESS, 44CH FULL ACCESS	Select your User Reset defaults	CRMX <on/off>	Select your User Reset defaults
			CRMX Operating Mode. <receive/transmit>			
			CRMX Receive Reset <no/yes>			
			BLE <on/off>			
			BLE Link <no/yes>			
			BLE Password <000000>			
			CRMX Pass to DMX Out <no/yes>			
			Display Flip <on/off>			
			Backlight <on/off>		Select your User Reset defaults	
			Auto Lock <on/off>			
			Display User Control <Auto FX/Quick Color, <b>Tint</b> , User Colors, Highlight>			
			Startup Mode <DMX/Auto/Editor/Color Macro, Quick Color, Tunable White, User Color>			
			DMX Fail <Hold/Blackout/Emergency>			
			Battery 100Wh, <b>190Wh</b> , 290Wh			
			Battery Runtime Off, <b>1hour</b> - 8hours			
			<b>Discharge current 9-12A (200W)</b> , 13-16A (300W), 17-20A (400W)			
			Dimmer Curve < <b>Linear</b> , Exponential, Logarithmic, S-Curve>			
			Dimmer Response < <b>LED</b> , Halogen >			
			Color Calibration <b>Normal CRI</b> / High CRI			
			RAW Balance < <b>RAW</b> / User Calibration>			
		LED Frequency <800Hz, <b>1200Hz</b> , 2000Hz, 3600Hz, 12000Hz, 25000Hz>				
		Fan < <b>Auto1</b> , Auto 2, Silent, Studio, Fan Off, Max Power>				
		Redshift <on/off>				
		USB update <Auto, <b>Manual</b> , No>				

## Dimmer Curves

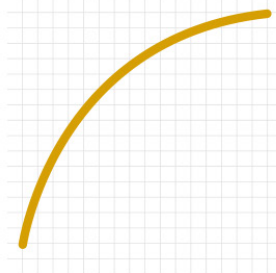
Linear



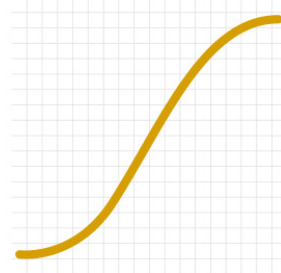
Exponential



Logarithmic



S-Curve



### 5.4.5.1 Reset Functions

#### 1. Via DMX

Factory / User Reset only starts if shutter channel has the DMX value "250" at the same time

⊖ Factory Reset:

DMX address and DMX mode stay on the same value as set before the reset. All other settings will set back to default

⊖ User Reset:

DMX address and DMX mode stay on the same value as set before the reset.  
There is no LED / Fan test. All other settings will set back to User Reset List.

#### 2. Via RDM

Factory / User Reset only starts if shutter channel has the DMX value "250" at the same time

⊖ Factory Reset:

DMX address and DMX mode stay on the same value as set before the reset  
All other settings will set back to default

⊖ User Reset:

DMX address and DMX mode stay on the same value as set before the reset.  
All other settings will set back to User Reset List.

There is no LED / Fan test

#### 3. Via Menu / Display Shortcut

⊖ Factory Reset:

Display Query:

**"> With Add. / Mode**

**No Add. / Mode**

**RESET NOW?"**

⊖ If "With Add. / Mode" is selected, DMX address is set to "1" and DMX mode changes to default mode.  
All other settings will set back to default

⊖ If "No Add. / Mode" is selected, DMX address and DMX Mode stay at current values. All other settings will set back to default

⊖ User Reset:

Display Query:

**"> With Add. / Mode  
No Add. / Mode  
RESET NOW?"**

- ⊖ If "With Add. / Mode" is selected, DMX address is set to "1" and DMX mode changes to the mode defined by "User Reset List / DMX Mode". All other settings will set back to User Reset List.
- ⊖ If "No Add. / Mode" is selected, DMX address and DMX Mode stay at current values. All other settings will set back to User Reset List.

Unit Starts LED / Fan test.

### 5.4.6 System Info

Level 1

Menu
DMX Mode
Stand Alone
Slave
Settings
<b>▀ System Info</b>

Main Menu	Menu level 2	Menu level 3	Menu level 4
System Info	Firmware Version	vx.xx	Display installed firmware version
	Serial Number	137xxxxxxxx	
	RDM UID	0X6a6axxxxxxxxx	Display unique RDM ID for identification
	Temperatures	Celsius      LED : XXX°C or Fahrenheit   LED : XXX °F	Display fixture temperature by celsius and fahrenheit
	Power on Time	Total: xxxxxhours	Display fixture total power on time
	LED on Time	Total: xxxxxhours	Display LED total power on time
	Errors	Errors information	Display error codes

## 6. ACCESSORIES

### 6.1 Filters

Available filters of ROXX NEO with order numbers:



Very Narrow 10°  
Art.: 14905101



Narrow 15°  
Art.: 14905201



Medium 40°  
Art.: 14905301



Wide 80°  
Art.: 14905401



Horizontal 60° x 10°  
Art.: 14905501



Vertical 10° x 60°  
Art.: 14905601



Smoked Clear  
Art.: 14905701

### 6.2 More accessories



8-way Barndoor  
Art.: 14905901



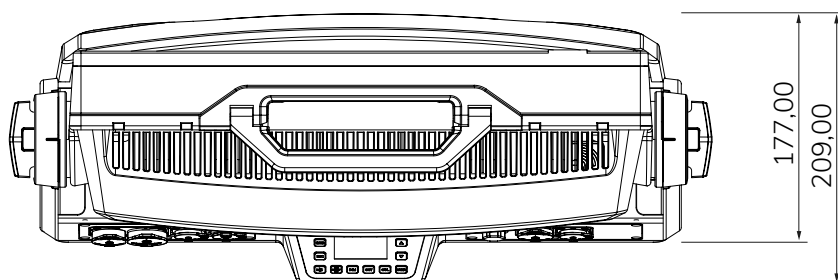
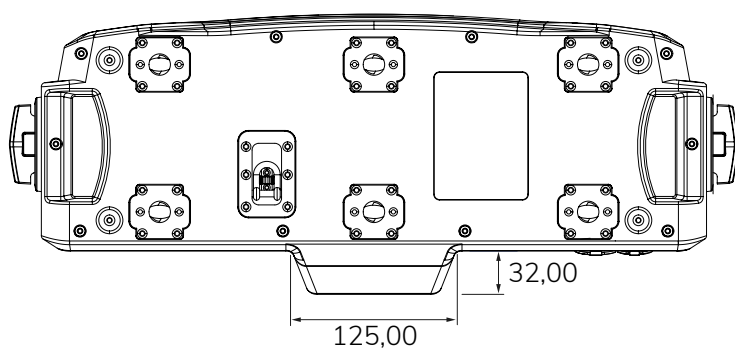
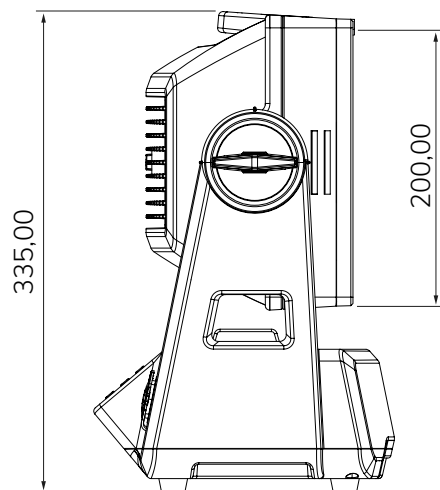
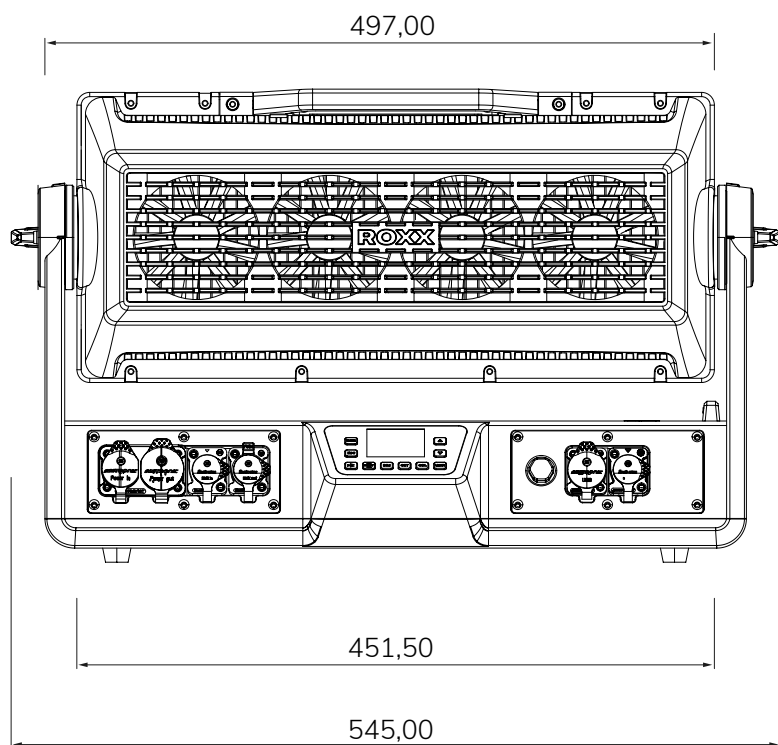
Casetec Case 4x  
Art.: 14906041



Amptown Case 4x  
Art.: 14906011

## 7. TECHNICAL DATA / DIAGRAMS

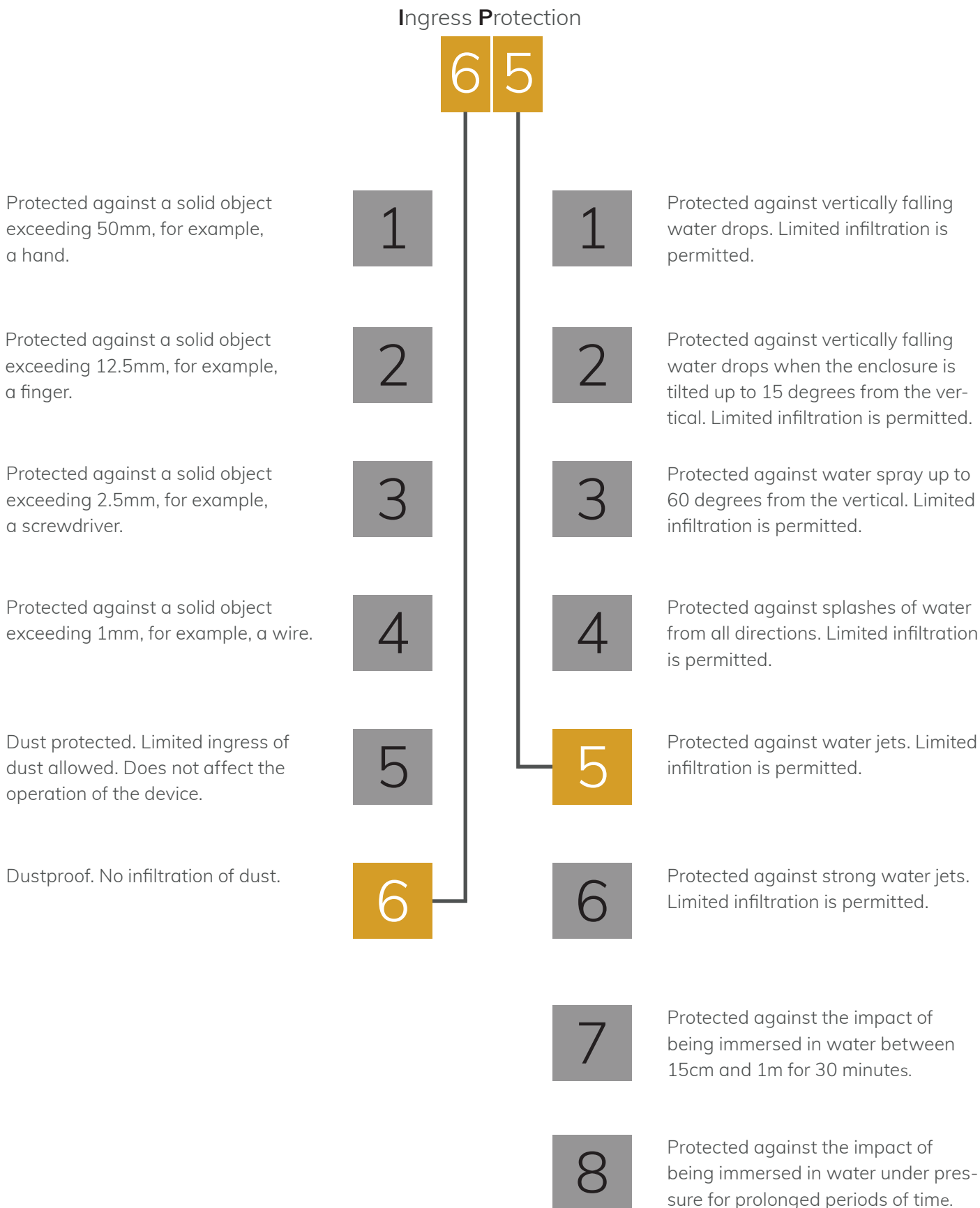
### 7.1 Technical drawings and measurements





## 7.2 IP Rating

ROXX products conform to officially classified IP standard levels. NEO is rated to IP65 when using the covers for the housing parts. IP stands for Ingress Protection and IP65, according to classified standard, means shielded against dust and high-pressure jets of water from any side.



### 7.3 Technical Data

Photometrics	
LED expected lifetime	50.000 hours
Lightsource	24x 40W RGBL
Type of optical system	TIR lens
LED PWM Frequency	selectable 800Hz, 1.200Hz, 2.000Hz, 3.600Hz, 12kHz, 25kHz
Beam angles @ Full (50%)	8° (native)
Maximum Field angles @ Full (10%)	15° (native)
Color temperature range	2000-10.000K
CRI/Ra @ 5600K	> 85
TLCI @ 5600K	> 85
Luminous flux @ Full (RAW)	27.225 lm (918W)
Luminous flux @ 5600K (Normal CRI)	26.183 lm (721,5W)
Luminous flux @ 5600K (High CRI)	16.627 lm (389,4W)
illuminance Lux @ 5m / 16,4ft (@ Full)	38.525 lx / 3579 fcd
illuminance Lux @ 5m / 16,4ft (@ 5600K Normal CRI)	36.865 lx / 3425 fcd
illuminance Lux @ 5m / 16,4ft (@ 5600K High CRI)	23.124 lx / 2148 fcd
Efficacy @ Full (max)	29,7 lm/W
Dimensions & Weight	
IP class	IP65
IK class	IK08
Body material	Aluminum, Nylon
Lens material	Tempered glass front
Net dimensions (w x h x d)	545 x 340 x 210 mm
Net dimensions inches	21,46 x 13,39 x 8,27 inches
Net weight (incl. Yoke)	15,4kg / 33,95 lbs
Tilt	220°
Tilt Locking System	Locking system including angle indicator
Thermal Characteristics	
Cooling	Active, Forced Air, Temperature-regulated
Humidity (max.)	95%
Temperature range, Operating	-40°C to 45°C
Temperature range, Start-Up	-20° to 45°C
Temperature range, Storage	-40°C to 80°C
Thermal Protection	Automatic overtemperature protection
Electrical Data	
AC Power, max	90 – 285V 50/60Hz
AC Power, nominal	100 – 240V 50/60Hz
Electrical protection	Overload protection with automatic recover
Max. power consumption	988W
Standby Power	11,2W
Power Thru max. @ 100V	2A (ETL) / 5A
Power Thru max. @ 230V	7A (ETL) / 10A

### 7.3 Technical Data

Power Linking	1 unit @ 230V / 0 units @ 100V
Power Factor	PF 0.993@ 100V / PF 0.977@ 230V
Power Supply Unit	Inbuilt auto-ranging electronic switch-mode
DC Power In	24-34V
<b>Operator &amp; Controller</b>	
DMX channels	3CH CCT, 3CH RGB, 6CH RGB, 8CH RGB, 19CH RGB, 23CH RGB, 4CH DIRECT, 8CH DIRECT, 9CH DIRECT, 21CH DIRECT, 26CH DIRECT, 17CH HSI, 16CH PURE, 29CH PURE, 28CH FULL ACCESS, 44CH FULL ACCESS
DMX modes	16
Protocol	USITT DMX512A RDM ANSI E1.20 CRMX, W-DMX™ G2, W-DMX™ G3, W-DMX™ G4, W-DMX™ G4S Bluetooth (Low Energy)
Setting and addressing	2.0" TFTdisplay / 10 controls RDM ANSI E1.20 Near Field Control (NFC)
Standalone mode	Auto Program, Color Macro, Quick Color, Tunable White, User Color
Wireless DMX indicator	Lumen Radio transmitt & receive function (CRMX)
controls	2.0" TFT display
Strobe	10 backlighted controls
DMX I/O	0-30Hz
Power In	IP65 XLR 5-pin male/female
USB Firmware Update	TRUE1 compatible input & link-thru sockets
<b>Included / Optional</b>	
Included items	IP65 USB socket
Optional Accessories	2m Power Cable
Color options	Multiple magnetic filters (circular / elliptical, smoked-clear), 8-Way Barndoor, Omega Bracket ST
Black – RAL 9004 (Standard) White – RAL 9010 (on request) Custom color – any RAL (on request)	
<b>Installation</b>	
Mounting point on fixture bottom side	3x 1/4 turn Omega Bracket
Mounting point on fixture Yoke side	1x 1/4 turn Omega Bracket
Orientation	Any
Rigging possibilities	hanging direct
Safety features	1x bottom mount for fixtures safety wire / 2x Yoke mount for accessory safety wires
Minimum distance from flammable materials	0,3 meters (11,8 inch)

7.4 DMX-Charts / Color Macro Charts / CCT Chart / Pattern Chart / Section Chart

<b>3CH CCT</b>	<b>9CH DIRECT</b>
<b>3CH RGB</b>	<b>21CH DIRECT</b>
<b>6CH RGB</b>	<b>26CH DIRECT</b>
<b>8CH RGB</b>	<b>17CH HSI</b>
<b>19CH RGB / Default Mode</b>	<b>16CH Pure Mode</b>
<b>23CH RGB</b>	<b>29CH Pure Mode</b>
<b>4CH DIRECT</b>	<b>28CH Full Access Mode</b>
<b>8CH DIRECT</b>	<b>44CH Pure Mode</b>

Channel	3CH CCT	3CH RGB	6CH RGB	8CH RGB	19CH RGB (default)	23CH RGB
1	Dimmer	Red	Red	Dimmer	Dimmer	Dimmer
2	CTC	Green	Red Fine	Shutter	Shutter	Dimmer Fine
3	Tint	Blue	Green	Red	Duration	Shutter
4			Green Fine	Green	Red	Duration
5			Blue	Blue	Green	Red
6			Blue Fine	CTC	Blue	Red Fine
7				Tint	CTC	Green
8				Device Settings	Tint	Green Fine
9					Color Macro	Blue
10					Color Macro Crossfade	Blue Fine
11					Pattern Dimmer	CTC
12					Pattern selection	Tint
13					Pattern selection X-fade	Color Macro
14					Pattern speed	Color Macro Crossfade
15					Pattern X-fade	Pattern Dimmer
16					Pattern Red	Pattern selection
17					Pattern Green	Pattern selection X-fade
18					Pattern Blue	Pattern speed
19					Device Settings	Pattern X-fade
20						Pattern Red
21						Pattern Green
22						Pattern Blue
23						Device Settings

Channel	4CH DIRECT	8CH DIRECT	9CH DIRECT	21CH DIRECT	26CH DIRECT	17CH HSI
1	Red	Red	Dimmer	Dimmer	Dimmer	Dimmer
2	Green	Red Fine	Shutter	Shutter	Dimmer Fine	Dimmer Fine
3	Blue	Green	Red	Duration	Shutter	Shutter
4	Lime	Green Fine	Green	Red	Duration	Hue
5		Blue	Blue	Green	Red	Saturation
6		Blue Fine	Lime	Blue	Red Fine	CTC
7		Lime	CTC	Lime	Green	Tint
8		Lime Fine	Tint	CTC	Green Fine	Color Macro
9			Device Settings	Tint	Blue	Color Macro Crossfade
10				Color Macro	Blue Fine	Pattern Dimmer
11				Color Macro Crossfade	Lime	Pattern selection
12				Pattern Dimmer	Lime Fine	Pattern selection X-fade
13				Pattern selection	CTC	Pattern speed
14				Pattern selection X-fade	Tint	Pattern X-fade
15				Pattern speed	Color Macro	Hue
16				Pattern X-fade	Color Macro Crossfade	Saturation
17				Pattern Red	Pattern Dimmer	Device Settings
18				Pattern Green	Pattern selection	
19				Pattern Blue	Pattern selection X-fade	
20				Pattern Lime	Pattern speed	
21				Device Settings	Pattern X-fade	
22					Pattern Red	
23					Pattern Green	
24					Pattern Blue	
25					Pattern Lime	
26					Device Settings	

Channel	16CH PURE	29CH PURE	28 CH Full Acces	Channel	44CH Pure Mode	Channel	44CH Pure Mode
1	Master Dimmer	Master Dimmer	Master Dimmer	1	Master Dimmer	30	Segment 2 Blue
2	Shutter	Master Dimmer fine	Shutter	2	Master Dimmer fine	31	Segment 2 Blue fine
3	Duration	Shutter	Duration	3	Shutter	32	Segment 3 Red
4	Segment 1 Red	Duration	Pattern Dimmer	4	Duration	33	Segment 3 Red fine
5	Segment 1 Green	Segment 1 Red	Pattern selection	5	Pattern Dimmer	34	Segment 3 Green
6	Segment 1 Blue	Segment 1 Red fine	Pattern selection X-fade	6	Pattern selection	35	Segment 3 Green fine
7	Segment 2 Red	Segment 1 Green	Pattern speed	7	Pattern selection X-fade	36	Segment 3 Blue
8	Segment 2 Green	Segment 1 Green fine	Pattern X-fade	8	Pattern Speed	37	Segment 3 Blue fine
9	Segment 2 Blue	Segment 1 Blue	Pattern Red	9	Pattern X-fade	38	Segment 4 Red
10	Segment 3 Red	Segment 1 Blue fine	Pattern Green	10	Pattern Red	39	Segment 4 Red fine
11	Segment 3 Green	Segment 2 Red	Pattern Blue	11	Pattern Red fine	40	Segment 4 Green
12	Segment 3 Blue	Segment 2 Red fine	CTC	12	Pattern Green	41	Segment 4 Green fine
13	Segment 4 Red	Segment 2 Green	Tint	13	Pattern Green fine	42	Segment 4 Blue
14	Segment 4 Green	Segment 2 Green fine	Color Macro	14	Pattern Blue	43	Segment 4 Blue fine
15	Segment 4 Blue	Segment 2 Blue	Color Macro Crossfade	15	Pattern Blue fine	44	Device Settings
16	Device Settings	Segment 2 Blue fine	Segment 1 Red	16	CTC		
17		Segment 3 Red	Segment 1 Green	17	Tint		
18		Segment 3 Red fine	Segment 1 Blue	18	Color Macro		
19		Segment 3 Green	Segment 2 Red	19	Color Macro Crossfade		
20		Segment 3 Green fine	Segment 2 Green	20	Segment 1 Red		
21		Segment 3 Blue	Segment 2 Blue	21	Segment 1 Red fine		
22		Segment 3 Blue fine	Segment 3 Red	22	Segment 1 Green		
23		Segment 4 Red	Segment 3 Green	23	Segment 1 Green fine		
24		Segment 4 Red fine	Segment 3 Blue	24	Segment 1 Blue		
25		Segment 4 Green	Segment 4 Red	25	Segment 1 Blue fine		
26		Segment 4 Green fine	Segment 4 Green	26	Segment 2 Red		
27		Segment 4 Blue	Segment 4 Blue	27	Segment 2 Red fine		
28		Segment 4 Blue fine	Device Settings	28	Segment 2 Green		
29		Device Settings		29	Segment 2 Green fine		

<b>3CH CCT</b>	<b>9CH DIRECT</b>
<b>3CH RGB</b>	<b>21CH DIRECT</b>
<b>6CH RGB</b>	<b>26CH DIRECT</b>
<b>8CH RGB</b>	<b>17CH HSI</b>
<b>19CH RGB / Default Mode</b>	<b>16CH Pure Mode</b>
<b>23CH RGB</b>	<b>29CH Pure Mode</b>
<b>4CH DIRECT</b>	<b>28CH Full Access Mode</b>
<b>8CH DIRECT</b>	<b>44CH Pure Mode</b>

### 3 CH CCT MODE (Color Calibrated)

Ch.	Function	Value	Setting	Default	
1	Dimmer	000-255	0 - 100%	0	
2	CTC	000 - 004	5600K	according to CTC chart	0
		005-226	2000K-6500K linear in 20-21K steps (please see detailed CTC chart)		
		182-182	5600K		
		226-226	6500K		
		227-255	6621K-10.000K linear in 120-121K steps (please see detailed CTC chart)		
3	Tint (affects CCT)	0	no function	128	
		001-127	Magenta -> Neutral		
		128-128	Neutral		
		129-255	Neutral -> Green		

### 3 CH - RGB MODE (Color Calibrated)

Ch.	Function	Value	Setting	Default
1	Red	000-255	0 - 100%	0
2	Green	000-255	0 - 100%	0
3	Blue	000-255	0 - 100%	0

### 6 CH - RGB MODE (Color Calibrated)

Ch.	Function	Value	Setting	Default
1	Red	000-255	0 - 100%	0
2	Red Fine	000-255	0 - 100%	0
3	Green	000-255	0 - 100%	0
4	Green Fine	000-255	0 - 100%	0
5	Blue	000-255	0 - 100%	0
6	Blue Fine	000-255	0 - 100%	0

**8 CH - RGB (Color Calibrated)**

Ch.	Function	Value	Setting	Default
1	Dimmer	000-255	0 - 100%	0
2	Shutter	000 - 019	Shutter close	20
		020 - 024	Shutter open	
		025 - 064	Strobe 1 (fast ⊕ slow)	
		065 - 069	Shutter open	
		070 - 084	Strobe 2: opening pulse (fast ⊕ slow)	
		085 - 089	Shutter open	
		090 - 104	Strobe 3: closing pulse (fast ⊕ slow)	
		105 - 109	Shutter open	
		110 - 124	Strobe 4: random strobe (fast ⊕ slow)	
		125 - 129	Shutter open	
		130 - 144	Strobe 5: random opening pulse (fast ⊕ slow)	
		145 - 149	Shutter open	
		150 - 164	Strobe 6: random closing pulse (fast ⊕ slow)	
		165 - 169	Shutter open	
		170 - 184	Strobe 7: burst pulse (fast ⊕ slow)	
		185 - 189	Shutter open	
		190 - 204	Strobe 8: random burst pulse (fast ⊕ slow)	
205 - 209	Shutter open			
210 - 224	Strobe 9: sine wave (fast ⊕ slow)			
225 - 229	Shutter open			
230 - 244	Strobe 10: burst (fast ⊕ slow)			
245 - 255	Shutter open			
3	Red	000-255	0 - 100%	255
4	Green	000-255	0 - 100%	255
5	Blue	000-255	0 - 100%	255
6	CTC (affects RGB)	000 - 004	5600K	according to CTC chart
		005-226	2000K-6500K (please see detailed CTC chart)	
		182-182	5600K	
		226-226	6500K	
		227-255	6621K-10.000K (please see detailed CTC chart)	
7	Tint (affects CTC, RGB)	0	no function	128
		001-127	Magenta ⊕ Neutral	
		128-128	Neutral	
		129-255	Neutral ⊕ Green	
8	Device Settings		according to Device Settings RGB mode (p.58)	0



**19 CH RGB Mode (Color Calibrated) - Default mode**

Ch.	Function	Value	Setting	Default
1	<b>Dimmer</b>	000-255	0 - 100%	0
2	<b>Shutter</b>	000 - 019	Shutter close	20
		020 - 024	Shutter open	
		025 - 064	Strobe 1 (fast ⊕ slow)	
		065 - 069	Shutter open	
		070 - 084	Strobe 2: opening pulse (fast ⊕ slow)	
		085 - 089	Shutter open	
		090 - 104	Strobe 3: closing pulse (fast ⊕ slow)	
		105 - 109	Shutter open	
		110 - 124	Strobe 4: random strobe (fast ⊕ slow)	
		125 - 129	Shutter open	
		130 - 144	Strobe 5: random opening pulse (fast ⊕ slow)	
		145 - 149	Shutter open	
		150 - 164	Strobe 6: random closing pulse (fast ⊕ slow)	
		165 - 169	Shutter open	
		170 - 184	Strobe 7: burst pulse (fast ⊕ slow)	
		185 - 189	Shutter open	
		190 - 204	Strobe 8: random burst pulse (fast ⊕ slow)	
205 - 209	Shutter open			
210 - 224	Strobe 9: sine wave (fast ⊕ slow)			
225 - 229	Shutter open			
230 - 244	Strobe 10: burst (fast ⊕ slow)			
245 - 255	Shutter open			
3	<b>Duration</b> (only affects to channel 2 - Strobe 1 025-064)	000-255	0 - 100%	0
4	<b>Red</b>	000-255	0 - 100%	affects main & pattern background color
5	<b>Green</b>	000-255	0 - 100%	
6	<b>Blue</b>	000-255	0 - 100%	
7	<b>CTC</b> (affects RGB)	000 - 004	5600K	according to CTC chart
		005-226	2000K-6500K linear in 20-21K steps (please see detailed CTC chart)	
		182-182	5600K	
		226-226	6500K	
		227-255	6621K-10.000K linear in 120-121K steps (please see detailed CTC chart)	
8	<b>Tint</b> (affects CTC and RGB)	0	no function	128
		001-127	Magenta -> Neutral	
		128-128	Neutral	
		129-255	Neutral -> Green	

9	<b>Color Macro</b> (override RGB/CTC)		according to Color Macro Chart	affects main & pattern background color	0
10	<b>Color Macro Crossfade</b> (Transition Time between Color Macros)	000 - 005	no function		0
		006-105	0,1s - 10s (0,1s steps)		
		106-214	11s - 119s (1s steps)		
		215-244	2m - 4m50s (10s steps)		
		245-255	5m - 15m (1m steps)		
11	<b>Pattern Dimmer</b>	000-255			255
12	<b>Pattern selection</b>	000-255		according to Pattern chart	0
13	<b>Pattern selection X-fade</b>	000 - 005	no function		0
		006-255	1s - 250s (1s steps)		
14	<b>Pattern speed</b>	000-005	No Function		0
		006-124	Left to Right / Fast to slow		
		125-130	No Function		
		131-249	Right to Left / Slow to fast		
		250-255	No Function		
15	<b>Pattern X-fade</b>	000-005	Snap from cell to cell		0
		006-255	Fade Duration short to long		
16	<b>Pattern Red</b>	000-255	0 - 100%		255
17	<b>Pattern Green</b>	000-255	0 - 100%		255
18	<b>Pattern Blue</b>	000-255	0 - 100%		255
19	<b>Device Settings</b>			according to Device Settings RGB mode (p.58)	0

### 23 CH RGB Mode (Color Calibrated)

Ch.	Function	Value	Setting	Default
1	<b>Dimmer</b>	000-255	0 - 100%	0
2	<b>Dimmer Fine</b>	000-255	0 - 100%	0
3	<b>Shutter</b>	000 - 019	Shutter close	20
		020 - 024	Shutter open	
		025 - 064	Strobe 1 (fast ⊕ slow)	
		065 - 069	Shutter open	
		070 - 084	Strobe 2: opening pulse (fast ⊕ slow)	
		085 - 089	Shutter open	
		090 - 104	Strobe 3: closing pulse (fast ⊕ slow)	
		105 - 109	Shutter open	
		110 - 124	Strobe 4: random strobe (fast ⊕ slow)	
		125 - 129	Shutter open	
		130 - 144	Strobe 5: random opening pulse (fast ⊕ slow)	
		145 - 149	Shutter open	
		150 - 164	Strobe 6: random closing pulse (fast ⊕ slow)	
		165 - 169	Shutter open	
		170 - 184	Strobe 7: burst pulse (fast ⊕ slow)	

**23 CH RGB Mode (Color Calibrated)**

3	<b>Shutter</b>	185 - 189	Shutter open		20	
		190 - 204	Strobe 8: random burst pulse (fast ⊕ slow)			
		205 - 209	Shutter open			
		210 - 224	Strobe 9:sine wave (fast ⊕ slow)			
		225 - 229	Shutter open			
		230 - 244	Strobe 10: burst (fast ⊕ slow)			
		245 - 255	Shutter open			
4	<b>Duration</b> (only affects to channel 3 - Strobe 1 025-064)	000-255	0 - 100%		0	
5	<b>Red</b>	000-255	0 - 100%	affects main & pattern background color	255	
6	<b>Red Fine</b>	000-255	0 - 100%		255	
7	<b>Green</b>	000-255	0 - 100%		255	
8	<b>Green Fine</b>	000-255	0 - 100%		255	
9	<b>Blue</b>	000-255	0 - 100%		255	
10	<b>Blue Fine</b>	000-255	0 - 100%		255	
11	<b>CTC</b> (affects RGB)	000 - 004	5600K		according to CTC chart	0
		005-226	2000K-6500K linear in 20-21K steps (please see detailed CTC chart)			
		182-182	5600K			
		226-226	6500K			
		227-255	6621K-10.000K linear in 120-121K steps (please see detailed CTC chart)			
12	<b>Tint</b> (affects CTC and RGB)	0	no function		128	
		001-127	Magenta -> Neutral			
		128-128	Neutral			
		129-255	Neutral -> Green			
13	<b>Color Macro</b> (override RGB /CTC)		According to Color Macro Chart	affects main & pattern background color	0	
14	<b>Color Macro Crossfade</b> (Transition Time between Color Macros)	000 - 005	no function		0	
		006-105	0,1s - 10s (0,1s steps)			
		106-214	11s - 119s (1s steps)			
		215-244	2m - 4m50s (10s steps)			
		245-255	5m - 15m (1m steps)			
15	<b>Pattern Dimmer</b>	000-255			255	
16	<b>Pattern selection</b>	000-255	according to Pattern chart		0	
17	<b>Pattern selection X-fade</b>	000 - 005	no function		0	
		006-255	1s - 250s (1s steps)			
18	<b>Pattern speed</b>	000-005	No Function		0	
		006-124	Left to Right / Fast to slow			
		125-130	No Function			
		131-249	Right to Left / Slow to fast			
		250-255	No Function			

### 23 CH RGB Mode (Color Calibrated)

19	Pattern X-fade	000-005	Snap from cell to cell	0
		006-255	Fade Duration short to long	
20	Pattern Red	000-255	0 - 100%	255
21	Pattern Green	000-255	0 - 100%	255
22	Pattern Blue	000-255	0 - 100%	255
23	Device Settings			according to Device Settings RGB mode (p.58)

### 4 CH - DIRECT MODE (RAW Balance)

Ch.	Function	Value	Setting	Default
1	Red	000-255	0 - 100%	0
2	Green	000-255	0 - 100%	0
3	Blue	000-255	0 - 100%	0
4	Lime	000-255	0 - 100%	0

### 8 CH - DIRECT MODE (RAW Balance)

Ch.	Function	Value	Setting	Default
1	Red	000-255	0 - 100%	0
2	Red Fine	000-255	0 - 100%	0
3	Green	000-255	0 - 100%	0
4	Green Fine	000-255	0 - 100%	0
5	Blue	000-255	0 - 100%	0
6	Blue Fine	000-255	0 - 100%	0
7	Lime	000-255	0 - 100%	0
8	Lime Fine	000-255	0 - 100%	0

### 9 CH - DIRECT MODE (RAW Balance)

Ch.	Function	Value	Setting	Default
1	Dimmer	000-255	0 - 100%	0
2	Shutter	000 - 019	Shutter close	20
		020 - 024	Shutter open	
		025 - 064	Strobe 1 (fast ⊕ slow)	
		065 - 069	Shutter open	
		070 - 084	Strobe 2: opening pulse (fast ⊕ slow)	
		085 - 089	Shutter open	
		090 - 104	Strobe 3: closing pulse (fast ⊕ slow)	
		105 - 109	Shutter open	
		110 - 124	Strobe 4: random strobe (fast ⊕ slow)	
		125 - 129	Shutter open	
		130 - 144	Strobe 5: random opening pulse (fast ⊕ slow)	
		145 - 149	Shutter open	
		150 - 164	Strobe 6: random closing pulse (fast ⊕ slow)	
		165 - 169	Shutter open	

2	<b>Shutter</b>	170 - 184	Strobe 7: burst pulse (fast ⊕ slow)	20	
		185 - 189	Shutter open		
		190 - 204	Strobe 8: random burst pulse (fast ⊕ slow)		
		205 - 209	Shutter open		
		210 - 224	Strobe 9:sine wave (fast ⊕ slow)		
		225 - 229	Shutter open		
		230 - 244	Strobe 10: burst (fast ⊕ slow)		
		245 - 255	Shutter open		
3	<b>Red</b>	000-255	0 - 100%	255	
4	<b>Green</b>	000-255	0 - 100%	255	
5	<b>Blue</b>	000-255	0 - 100%	255	
6	<b>Lime</b>	000-255	0 - 100%	255	
7	<b>CTC</b> (affects RGBL)	000 - 004	RAW	according to CTC chart	0
		005-226	2000K-6500K linear in 20-21K steps (please see detailed CTC chart)		
		182-182	5600K		
		226-226	6500K		
		227-255	6621K-10.000K linear in 120-121K steps (please see detailed CTC chart)		
8	<b>Tint</b> (affects CTC and RGBL)	0	no function	128	
		001-127	Magenta -> Neutral		
		128-128	Neutral		
		129-255	Neutral -> Green		
9	<b>Device Settings</b>		according to Device Settings Direct mode (p.60)	0	

### 21 CH - DIRECT MODE (RAW Balance)

Ch.	Function	Value	Setting	Default
1	<b>Dimmer</b>	000-255	0 - 100%	0
2	<b>Shutter</b>	000 - 019	Shutter close	20
		020 - 024	Shutter open	
		025 - 064	Strobe 1 (fast ⊕ slow)	
		065 - 069	Shutter open	
		070 - 084	Strobe 2: opening pulse (fast ⊕ slow)	
		085 - 089	Shutter open	
		090 - 104	Strobe 3: closing pulse (fast ⊕ slow)	
		105 - 109	Shutter open	
		110 - 124	Strobe 4: random strobe (fast ⊕ slow)	
		125 - 129	Shutter open	
		130 - 144	Strobe 5: random opening pulse (fast ⊕ slow)	
		145 - 149	Shutter open	
		150 - 164	Strobe 6:random closing pulse (fast ⊕ slow)	
		165 - 169	Shutter open	
		170 - 184	Strobe 7: burst pulse (fast ⊕ slow)	
185 - 189	Shutter open			

**21 CH - DIRECT MODE (RAW Balance)**

2	<b>Shutter</b>	190 - 204	Strobe 8: random burst pulse (fast ⊕ slow)		020
		205 - 209	Shutter open		
		210 - 224	Strobe 9:sine wave (fast ⊕ slow)		
		225 - 229	Shutter open		
		230 - 244	Strobe 10: burst (fast ⊕ slow)		
		245 - 255	Shutter open		
3	<b>Duration</b> (only affects to channel 2 - Strobe 1 025-064)	000-255	0 - 100%		0
4	<b>Red</b>	000-255	0 - 100%		255
5	<b>Green</b>	000-255	0 - 100%		255
6	<b>Blue</b>	000-255	0 - 100%		255
7	<b>Lime</b>	000-255	0 - 100%		255
8	<b>CTC</b> (affects RGBL)	000 - 004	RAW	according to CTC chart	0
		005-226	2000K-6500K linear in 20-21K steps (please see detailed CTC chart)		
		182-182	5600K		
		226-226	6500K		
		227-255	6621K-10.000K linear in 120-121K steps (please see detailed CTC chart)		
9	<b>Tint</b> (affects CTC and RGBL)	0	no function		128
		001-127	Magenta -> Neutral		
		128-128	Neutral		
		129-255	Neutral -> Green		
10	<b>Color Macro</b> (override RGBL,CTC)		according to Color Macro Chart	affects main & pattern background color	0
11	<b>Color Macro Crossfade</b> (Transition Time between Color Macros)	000 - 005	no function		0
		006-105	0,1s - 10s (0,1s steps)		
		106-214	11s - 119s (1s steps)		
		215-244	2m - 4m50s (10s steps)		
		245-255	5m - 15m (1m steps)		
12	<b>Pattern Dimmer</b>	000-255			255
13	<b>Pattern selection</b>	000-255	according to Pattern chart		0
14	<b>Pattern selection X-fade</b>	000 - 005	no function		0
		006-255	1s - 250s (1s steps)		
15	<b>Pattern speed</b>	000-005	No Function		0
		006-124	Left to Right / Fast to slow		
		125-130	No Function		
		131-249	Right to Left / Slow to fast		
		250-255	No Function		
16	<b>Pattern X-fade</b>	000-005	Snap from cell to cell		0
		006-255	Fade Duration short to long		

### 21 CH - DIRECT MODE (RAW Balance)

17	Pattern Red	000-255	0 - 100%	255
18	Pattern Green	000-255	0 - 100%	255
19	Pattern Blue	000-255	0 - 100%	255
20	Pattern Lime	000-255	0 - 100%	255
21	Device Settings			according to Device Settings Direct mode (p.60) 0

### 26 CH - DIRECT MODE (RAW Balance)

Ch.	Function	Value	Setting	Default
1	Dimmer	000-255	0 - 100%	0
2	Dimmer Fine	000-255	0 - 100%	0
3	Shutter	000 - 019	Shutter close	20
		020 - 024	Shutter open	
		025 - 064	Strobe 1 (fast ⊕ slow)	
		065 - 069	Shutter open	
		070 - 084	Strobe 2: opening pulse (fast ⊕ slow)	
		085 - 089	Shutter open	
		090 - 104	Strobe 3: closing pulse (fast ⊕ slow)	
		105 - 109	Shutter open	
		110 - 124	Strobe 4: random strobe (fast ⊕ slow)	
		125 - 129	Shutter open	
		130 - 144	Strobe 5: random opening pulse (fast ⊕ slow)	
		145 - 149	Shutter open	
		150 - 164	Strobe 6: random closing pulse (fast ⊕ slow)	
		165 - 169	Shutter open	
		170 - 184	Strobe 7: burst pulse (fast ⊕ slow)	
		185 - 189	Shutter open	
		190 - 204	Strobe 8: random burst pulse (fast ⊕ slow)	
205 - 209	Shutter open			
210 - 224	Strobe 9: sine wave (fast ⊕ slow)			
225 - 229	Shutter open			
230 - 244	Strobe 10: burst (fast ⊕ slow)			
245 - 255	Shutter open			
4	Duration (only affects to channel 3 - Strobe 1 025-064)	000-255	0 - 100%	0

**26 CH - DIRECT MODE (RAW Balance)**

5	<b>Red</b>	000-255	0 - 100%	affects main & pattern background color	255
6	<b>Red Fine</b>	000-255	0 - 100%		255
7	<b>Green</b>	000-255	0 - 100%		255
8	<b>Green Fine</b>	000-255	0 - 100%		255
9	<b>Blue</b>	000-255	0 - 100%		255
10	<b>Blue Fine</b>	000-255	0 - 100%		255
11	<b>Lime</b>	000-255	0 - 100%		255
12	<b>Lime Fine</b>	000-255	0 - 100%		255
13	<b>CTC</b> (affects RGBL)	000 - 004	RAW	according to CTC chart	0
		005-226	2000K-6500K linear in 20-21K steps (please see detailed CTC chart)		
		182-182	5600K		
		226-226	6500K		
		227-255	6621K-10.000K linear in 120-121K steps (please see detailed CTC chart)		
14	<b>Tint</b> (affects CTC and RGBL)	0	no function	128	
		001-127	Magenta -> Neutral		
		128-128	Neutral		
		129-255	Neutral -> Green		
15	<b>Color Macro</b> (override RGBL,CTC)		According to Color Macro Chart	affects main & pattern background color	0
16	<b>Color Macro Crossfade</b> (Transition Time between Color Macros)	000 - 005	no function	0	
		006-105	0,1s - 10s (0,1s steps)		
		106-214	11s - 119s (1s steps)		
		215-244	2m - 4m50s (10s steps)		
		245-255	5m - 15m (1m steps)		
17	<b>Pattern Dimmer</b>	000-255			255
18	<b>Pattern selection</b>	000-255		according to Pattern chart	0
19	<b>Pattern selection X-fade</b>	000 - 005	no function	0	
		006-255	1s - 250s (1s steps)		
20	<b>Pattern speed</b>	000-005	No Function	0	
		006-124	Left to Right / Fast to slow		
		125-130	No Function		
		131-249	Right to Left / Slow to fast		
		250-255	No Function		
21	<b>Pattern X-fade</b>	000-005	Snap from cell to cell	0	
		006-255	Fade Duration short to long		



### 26 CH - DIRECT MODE (RAW Balance)

22	Pattern Red	000-255	0 - 100%	255
23	Pattern Green	000-255	0 - 100%	255
24	Pattern Blue	000-255	0 - 100%	255
25	Pattern Lime	000-255	0 - 100%	255
26	Device Settings			according to Device Settings Direct mode (p.60) 0

### 17CH - HSI Mode (Color Calibrated)

Ch.	Function	Value	Setting	Default
1	Dimmer	000-255	0 - 100%	0
2	Dimmer Fine	000-255	0 - 100%	0
3	Shutter	000 - 019	Shutter close	20
		020 - 024	Shutter open	
		025 - 064	Strobe 1 (fast ⊕ slow)	
		065 - 069	Shutter open	
		070 - 084	Strobe 2: opening pulse (fast ⊕ slow)	
		085 - 089	Shutter open	
		090 - 104	Strobe 3: closing pulse (fast ⊕ slow)	
		105 - 109	Shutter open	
		110 - 124	Strobe 4: random strobe (fast ⊕ slow)	
		125 - 129	Shutter open	
		130 - 144	Strobe 5: random opening pulse (fast ⊕ slow)	
		145 - 149	Shutter open	
		150 - 164	Strobe 6: random closing pulse (fast ⊕ slow)	
		165 - 169	Shutter open	
		170 - 184	Strobe 7: burst pulse (fast ⊕ slow)	
		185 - 189	Shutter open	
		190 - 204	Strobe 8: random burst pulse (fast ⊕ slow)	
205 - 209	Shutter open			
210 - 224	Strobe 9: sine wave (fast ⊕ slow)			
225 - 229	Shutter open			
230 - 244	Strobe 10: burst (fast ⊕ slow)			
245 - 255	Shutter open			
4	Hue	000-255	0° (RED) Thru 360°	0
5	Saturation	000-255	0 - 100%	0

**17CH - HSI Mode (Color Calibrated)**

6	<b>CTC</b> (affects HUE and Saturation) --> CTC no effect if Saturation to 100%	000 - 004	5600K	according to CTC chart	0
		005-226	2000K-6500K linear in 20-21K steps (please see detailed CTC chart)		
		182-182	5600K		
		226-226	6500K		
		227-255	6621K-10.000K linear in 120-121K steps (please see detailed CTC chart)		
7	<b>Tint</b> (affects CTC, HUE and Saturation). --> Tint no effect if Saturation to 100%	0	no function	128	
		001-127	Magenta -> Neutral		
		128-128	Neutral		
		129-255	Neutral -> Green		
8	<b>Color Macro</b> (override HUE/ SATURATION/CTC)		According to Color Macro Chart	affects main & pattern background color	0
9	<b>Color Macro Crossfade</b> (Transition Time between Color Macros)	000 - 005	no function	0	
		006-105	0,1s - 10s (0,1s steps)		
		106-214	11s - 119s (1s steps)		
		215-244	2m - 4m50s (10s steps)		
		245-255	5m - 15m (1m steps)		
10	<b>Pattern Dimmer</b>	000-255			255
11	<b>Pattern selection</b>	000-255		according to Pattern chart	0
12	<b>Pattern selection X-fade</b>	000 - 005	no function	0	
		006-255	1s - 250s (1s steps)		
13	<b>Pattern speed</b>	000-005	No Function	0	
		006-124	Left to Right / Fast to slow		
		125-130	No Function		
		131-249	Right to Left / Slow to fast		
		250-255	No Function		
14	<b>Pattern X-fade</b>	000-005	Snap from cell to cell	0	
		006-255	Fade Duration short to long		
15	<b>Pattern Hue</b>	000-255	0° (RED) Thru 360°		0
16	<b>Pattern Saturation</b>	000-255	0 - 100%		0
17	<b>Device Settings</b>			according to Device Settings RGB mode (p.58)	0

**16CH Pure Mode (Color Calibrated )**

Ch.	Function	Value	Setting	Default
1	Master Dimmer	000-255	0 - 100%	0
2	Shutter	000 - 019	Shutter close	20
		020 - 024	Shutter open	
		025 - 064	Strobe 1 (fast ⊕ slow)	
		065 - 069	Shutter open	
		070 - 084	Strobe 2: opening pulse (fast ⊕ slow)	
		085 - 089	Shutter open	
		090 - 104	Strobe 3: closing pulse (fast ⊕ slow)	
		105 - 109	Shutter open	
		110 - 124	Strobe 4: random strobe (fas ⊕ slow)	
		125 - 129	Shutter open	
		130 - 144	Strobe 5: random opening pulse (fast ⊕ slow)	
		145 - 149	Shutter open	
		150 - 164	Strobe 6:random closing pulse (fast ⊕ slow)	
		165 - 169	Shutter open	
		170 - 184	Strobe 7: burst pulse (fast ⊕ slow)	
		185 - 189	Shutter open	
		190 - 204	Strobe 8: random burst pulse (fast ⊕ slow)	
205 - 209	Shutter open			
210 - 224	Strobe 9:sine wave (fast ⊕ slow)			
225 - 229	Shutter open			
230 - 244	Strobe 10: burst (fast ⊕ slow)			
245 - 255	Shutter open			
3	Duration (only affects to channel 2 - Strobe 1 025-064)	000-255	0 - 100%	0
4	Segment 1 Red	000-255	0 - 100%	255
5	Segment 1 Green	000-255	0 - 100%	255
6	Segment 1 Blue	000-255	0 - 100%	255
7	Segment 2 Red	000-255	0 - 100%	255
8	Segment 2 Green	000-255	0 - 100%	255
9	Segment 2 Blue	000-255	0 - 100%	255
10	Segment 3 Red	000-255	0 - 100%	255
11	Segment 3 Green	000-255	0 - 100%	255
12	Segment 3 Blue	000-255	0 - 100%	255

**16CH Pure Mode (Color Calibrated )**

13	<b>Segment 4 Red</b>	000-255	0 - 100%	255
14	<b>Segment 4 Green</b>	000-255	0 - 100%	255
15	<b>Segment 4 Blue</b>	000-255	0 - 100%	255
16	<b>Device Settings</b>			according to Device Settings RGB mode (p.58)

**29CH Pure Mode (Color Calibrated)**

Ch.	Function	Value	Setting	Default
1	<b>Master Dimmer</b>	000-255	0 - 100%	0
2	<b>Master Dimmer fine</b>	000-255	0 - 100%	0
3	<b>Shutter</b>	000 - 019	Shutter close	20
		020 - 024	Shutter open	
		025 - 064	Strobe 1 (fast ⊕ slow)	
		065 - 069	Shutter open	
		070 - 084	Strobe 2: opening pulse (fast ⊕ slow)	
		085 - 089	Shutter open	
		090 - 104	Strobe 3: closing pulse (fast ⊕ slow)	
		105 - 109	Shutter open	
		110 - 124	Strobe 4: random strobe (fast ⊕ slow)	
		125 - 129	Shutter open	
		130 - 144	Strobe 5: random opening pulse (fast ⊕ slow)	
		145 - 149	Shutter open	
		150 - 164	Strobe 6: random closing pulse (fast ⊕ slow)	
		165 - 169	Shutter open	
		170 - 184	Strobe 7: burst pulse (fast ⊕ slow)	
		185 - 189	Shutter open	
		190 - 204	Strobe 8: random burst pulse (fast ⊕ slow)	
205 - 209	Shutter open			
210 - 224	Strobe 9: sine wave (fast ⊕ slow)			
225 - 229	Shutter open			
230 - 244	Strobe 10: burst (fast ⊕ slow)			
245 - 255	Shutter open			
4	<b>Duration</b> (only affects to channel 3 - Strobe 1 025-064)	000-255	0 - 100%	0
5	<b>Segment 1 Red</b>	000-255	0 - 100%	255
6	<b>Segment 1 Red fine</b>	000-255	0 - 100%	255

### 29CH Pure Mode (Color Calibrated)

7	Segment 1 Green	000-255	0 - 100%	255
8	Segment 1 Green fine	000-255	0 - 100%	255
9	Segment 1 Blue	000-255	0 - 100%	255
10	Segment 1 Blue fine	000-255	0 - 100%	255
11	Segment 2 Red	000-255	0 - 100%	255
12	Segment 2 Red fine	000-255	0 - 100%	255
13	Segment 2 Green	000-255	0 - 100%	255
14	Segment 2 Green fine	000-255	0 - 100%	255
15	Segment 2 Blue	000-255	0 - 100%	255
16	Segment 2 Blue fine	000-255	0 - 100%	255
17	Segment 3 Red	000-255	0 - 100%	255
18	Segment 3 Red fine	000-255	0 - 100%	255
19	Segment 3 Green	000-255	0 - 100%	255
20	Segment 3 Green fine	000-255	0 - 100%	255
21	Segment 3 Blue	000-255	0 - 100%	255
22	Segment 3 Blue fine	000-255	0 - 100%	255
23	Segment 4 Red	000-255	0 - 100%	255
24	Segment 4 Red fine	000-255	0 - 100%	255
25	Segment 4 Green	000-255	0 - 100%	255
26	Segment 4 Green fine	000-255	0 - 100%	255
27	Segment 4 Blue	000-255	0 - 100%	255
28	Segment 4 Blue fine	000-255	0 - 100%	255
29	Device Settings			according to Device Settings RGB mode (p.58) 0

### 28CH Full Access Mode (Color Calibrated)

Ch.	Function	Value	Setting	Default
1	Master Dimmer	000-255	0 - 100%	0
2	Shutter	000 - 019	Shutter close	20
		020 - 024	Shutter open	
		025 - 064	Strobe 1 (fast ⊕ slow)	
		065 - 069	Shutter open	
		070 - 084	Strobe 2: opening pulse (fast ⊕ slow)	
		085 - 089	Shutter open	

**28CH Full Access Mode (Color Calibrated)**

2	<b>Shutter</b>	090 - 104	Strobe 3: closing pulse (fast ⊕ slow)	20
		105 - 109	Shutter open	
		110 - 124	Strobe 4: random strobe (fast ⊕ slow)	
		125 - 129	Shutter open	
		130 - 144	Strobe 5: random opening pulse (fast ⊕ slow)	
		145 - 149	Shutter open	
		150 - 164	Strobe 6: random closing pulse (fast ⊕ slow)	
		165 - 169	Shutter open	
		170 - 184	Strobe 7: burst pulse (fast ⊕ slow)	
		185 - 189	Shutter open	
		190 - 204	Strobe 8: random burst pulse (fast ⊕ slow)	
		205 - 209	Shutter open	
		210 - 224	Strobe 9: sine wave (fast ⊕ slow)	
		225 - 229	Shutter open	
		230 - 244	Strobe 10: burst (fast ⊕ slow)	
245 - 255	Shutter open			
3	<b>Duration</b> (only affects to channel 2 - Strobe 1 025-064)	000-255	0 - 100%	0
4	<b>Pattern Dimmer</b>	000-255		255
5	<b>Pattern selection</b>	000-255	according to Pattern chart	0
6	<b>Pattern selection X-fade</b>	000 - 005	no function	0
		006-255	1s - 250s (1s steps)	
7	<b>Pattern speed</b>	000-005	No Function	0
		006-124	Left to Right / Fast to slow	
		125-130	No Function	
		131-249	Right to Left / Slow to fast	
		250-255	No Function	
8	<b>Pattern X-fade</b>	000-005	Snap from cell to cell	0
		006-255	Fade Duration short to long	
9	<b>Pattern Red</b>	000-255	0 - 100%	255
10	<b>Pattern Green</b>	000-255	0 - 100%	255
11	<b>Pattern Blue</b>	000-255	0 - 100%	255

**28CH Full Access Mode (Color Calibrated)**

12	<b>CTC</b> (affects RGB)	000 - 004	5600K	according to CTC chart	0
		005-226	2000K-6500K linear in 20-21K steps (please see detailed CTC chart)		
		182-182	5600K		
		226-226	6500K		
		227-255	6621K-10.000K linear in 120-121K steps (please see detailed CTC chart)		
13	<b>Tint</b> (affects CTC / RGB)	0	no function	128	
		001-127	Magenta -> Neutral		
		128-128	Neutral		
		129-255	Neutral -> Green		
14	<b>Color Macro</b> (override RGB / CTC)		According to Color Macro Chart	affects main & pattern background color	0
15	<b>Color Macro Crossfade</b> (Transition Time between Color Macros)	000 - 005	no function	0	
		006-105	0,1s - 10s (0,1s steps)		
		106-214	11s - 119s (1s steps)		
		215-244	2m - 4m50s (10s steps)		
		245-255	5m - 15m (1m steps)		
16	<b>Segment 1 Red</b>	000-255	0 - 100%	255	
17	<b>Segment 1 Green</b>	000-255	0 - 100%	255	
18	<b>Segment 1 Blue</b>	000-255	0 - 100%	255	
19	<b>Segment 2 Red</b>	000-255	0 - 100%	255	
20	<b>Segment 2 Green</b>	000-255	0 - 100%	255	
21	<b>Segment 2 Blue</b>	000-255	0 - 100%	255	
22	<b>Segment 3 Red</b>	000-255	0 - 100%	255	
23	<b>Segment 3 Green</b>	000-255	0 - 100%	255	
24	<b>Segment 3 Blue</b>	000-255	0 - 100%	255	
25	<b>Segment 4 Red</b>	000-255	0 - 100%	255	
26	<b>Segment 4 Green</b>	000-255	0 - 100%	255	
27	<b>Segment 4 Blue</b>	000-255	0 - 100%	255	
28	<b>Device Settings</b>			according to Device Settings RGB mode (p.58)	0

**44CH Pure Mode (Color Calibrated)**

Ch.	Function	Value	Setting	Default
1	Master Dimmer	000-255	0 - 100%	0
2	Master Dimmer fine	000-255	0 - 100%	0
3	Shutter	000 - 019	Shutter close	20
		020 - 024	Shutter open	
		025 - 064	Strobe 1 (fast ⊕ slow)	
		065 - 069	Shutter open	
		070 - 084	Strobe 2: opening pulse (fast ⊕ slow)	
		085 - 089	Shutter open	
		090 - 104	Strobe 3: closing pulse (fast ⊕ slow)	
		105 - 109	Shutter open	
		110 - 124	Strobe 4: random strobe (fast ⊕ slow)	
		125 - 129	Shutter open	
		130 - 144	Strobe 5: random opening pulse (fast ⊕ slow)	
		145 - 149	Shutter open	
		150 - 164	Strobe 6: random closing pulse (fast ⊕ slow)	
		165 - 169	Shutter open	
		170 - 184	Strobe 7: burst pulse (fast ⊕ slow)	
		185 - 189	Shutter open	
		190 - 204	Strobe 8: random burst pulse (fast ⊕ slow)	
		205 - 209	Shutter open	
210 - 224	Strobe 9: sine wave (fast ⊕ slow)			
225 - 229	Shutter open			
230 - 244	Strobe 10: burst (fast ⊕ slow)			
245 - 255	Shutter open			
4	Duration (only affects to channel 3 - Strobe 1 025-064)	000-255	0 - 100%	0
5	Pattern Dimmer	000-255		255
6	Pattern selection	000-255		according to Pattern chart
7	Pattern selection X-fade	000 - 005	no function	0
		006-255	1s - 250s (1s steps)	
8	Pattern speed	000-005	No Function	0
		006-124	Left to Right / Fast to slow	
		125-130	No Function	
		131-249	Right to Left / Slow to fast	
		250-255	No Function	



**44CH Pure Mode (Color Calibrated)**

9	<b>Pattern X-fade</b>	000-005	Snap from cell to cell	0	
		006-255	Fade Duration short to long		
10	<b>Pattern Red</b>	000-255	0 - 100%	255	
11	<b>Pattern Red fine</b>	000-255	0 - 100%	255	
12	<b>Pattern Green</b>	000-255	0 - 100%	255	
13	<b>Pattern Green fine</b>	000-255	0 - 100%	255	
14	<b>Pattern Blue</b>	000-255	0 - 100%	255	
15	<b>Pattern Blue fine</b>	000-255	0 - 100%	255	
16	<b>CTC</b> (affects RGB)	000 - 004	5600K	according to CTC chart	0
		005-226	2000K-6500K linear in 20-21K steps (please see detailed CTC chart)		
		182-182	5600K		
		226-226	6500K		
		227-255	6621K-10.000K linear in 120-121K steps (please see detailed CTC chart)		
17	<b>Tint</b> (affects CTC / RGB)	0	no function	128	
		001-127	Magenta -> Neutral		
		128-128	Neutral		
		129-255	Neutral -> Green		
18	<b>Color Macro</b> (override RGB / CTC)		According to Color Macro Chart	affects main & pattern background color	0
19	<b>Color Macro Crossfade</b> (Transition Time between Color Macros)	000 - 005	no function	0	
		006-105	0,1s - 10s (0,1s steps)		
		106-214	11s - 119s (1s steps)		
		215-244	2m - 4m50s (10s steps)		
		245-255	5m - 15m (1m steps)		
20	<b>Segment 1 Red</b>	000-255	0 - 100%	255	
21	<b>Segment 1 Red fine</b>	000-255	0 - 100%	255	
22	<b>Segment 1 Green</b>	000-255	0 - 100%	255	
23	<b>Segment 1 Green fine</b>	000-255	0 - 100%	255	
24	<b>Segment 1 Blue</b>	000-255	0 - 100%	255	
25	<b>Segment 1 Blue fine</b>	000-255	0 - 100%	255	
26	<b>Segment 2 Red</b>	000-255	0 - 100%	255	
27	<b>Segment 2 Red fine</b>	000-255	0 - 100%	255	
28	<b>Segment 2 Green</b>	000-255	0 - 100%	255	
29	<b>Segment 2 Green fine</b>	000-255	0 - 100%	255	

<b>44CH Pure Mode (Color Calibrated)</b>				
30	<b>Segment 2 Blue</b>	000-255	0 - 100%	255
31	<b>Segment 2 Blue fine</b>	000-255	0 - 100%	255
32	<b>Segment 3 Red</b>	000-255	0 - 100%	255
33	<b>Segment 3 Red fine</b>	000-255	0 - 100%	255
34	<b>Segment 3 Green</b>	000-255	0 - 100%	255
35	<b>Segment 3 Green fine</b>	000-255	0 - 100%	255
36	<b>Segment 3 Blue</b>	000-255	0 - 100%	255
37	<b>Segment 3 Blue fine</b>	000-255	0 - 100%	255
38	<b>Segment 4 Red</b>	000-255	0 - 100%	255
39	<b>Segment 4 Red fine</b>	000-255	0 - 100%	255
40	<b>Segment 4 Green</b>	000-255	0 - 100%	255
41	<b>Segment 4 Green fine</b>	000-255	0 - 100%	255
42	<b>Segment 4 Blue</b>	000-255	0 - 100%	255
43	<b>Segment 4 Blue fine</b>	000-255	0 - 100%	255
44	<b>Device Settings</b>			according to Device Settings RGB mode (p.58)
				0

**Device Setting RGB Modes**

Ch.	Settings	DMX Value	Function	remark
	Device Settings (please see remark *1)	000-005	No function	
		6	Display Backlight On (hold 3s)	
		7	Display Backlight Off (hold 3s)	
		8	Display Lock On (hold 3s)	
		9	Display Lock Off (hold 3s)	
		010-014	reserved / no function	
		15	DMX Fail - Blackout (hold 3s)	
		16	DMX Fail - Hold (hold 3s)	
		17	DMX Fail - Emergency Light (hold 3s)	
		018-022	reserved / no function	
		23	Linear Dimmer Curve (hold 3s)	
		24	Exponential Dimmer Curve (hold 3s)	
		25	Logarithmic Dimmer Curve (hold 3s)	
		26	S-Curve Dimmer Curve (hold 3s)	
		027-031	reserved / no function	
		32	Dimmer Response LED / fast (hold 3s)	
		33 reserved	reserved / no function	
		34	Dimmer Respononse Halogen / slow (hold 3s)	
		035-039	reserved / no function	
		40	Calibration - High CRI (Colors & CCT / hold 3s)	
		41	Calibration - Normal CRI (Colors & CCT / hold 3s)	
		042-046	reserved / no function	
		47	LED Frequency 800Hz (hold 3s)	
		48	LED Frequency 1200Hz (hold 3s)	
		49	LED Frequency 2000Hz (hold 3s)	
		50	LED Frequency 3600Hz (hold 3s)	
		51	LED Frequency 12kHz (hold 3s)	
		52	LED Frequency 25kHz (hold 3s)	
		053-057	reserved / no function	
		58	Fan Auto 1 (hold 3s)	
		59	Fan Auto 2 (hold 3s)	
		60	Fan Silent (hold 3s)	

**Device Setting RGB Modes**

Ch.	Settings	DMX Value	Function	remark
	Device Settings (please see remark *1)	61	Fan Studio (hold 3s)	
		62	Fan Off (hold 3s)	
		63	Fan High Power (hold 3s)	
		064-068	reserved / no function	
		69	Redshift On (hold 3s)	Redshift (affects only between 2700-3500K)
		70	Redshift Off (hold 3s)	
		071-083	reserved / no function	
		84	Runtime Off (hold 3s)	
		85	Runtime 1h (hold 3s)	
		86	Runtime 2h (hold 3s)	
		87	Runtime 3h (hold 3s)	
		88	Runtime 4h (hold 3s)	
		089-093	reserved / no function	
		94	Invert Mapping On (hold 3s)	
		95	Invert Mapping Off (hold 3s)	
		096-244 reserved	reserved / no function	
		245	Snapshot (hold 3s)	
		246-248	reserved / no function	
		249	User Reset (hold 3s)	No Change of DMX Address and Mode! / Reset activates only if Shutter is set to DMX 250
		250	Factory Reset (hold 3s)	No Change of DMX Address and Mode! / Reset activates only if Shutter is set to DMX 250
	251 - 255 reserved	No Function		

remark\*1: After adjustments please set the value back to 000 to avoid any disturbance by endless function call.

**Device Setting DIRECT Modes**

Ch.	Settings	DMX Value	Function	remark
	Device Settings (please see remark *1)	000-005	No function	
		6	Display Backlight On (hold 3s)	
		7	Display Backlight Off (hold 3s)	
		8	Display Lock On (hold 3s)	
		9	Display Lock Off (hold 3s)	
		010-014	reserved / no function	
		15	DMX Fail - Blackout (hold 3s)	
		16	DMX Fail - Hold (hold 3s)	
		17	DMX Fail - Emergency Light (hold 3s)	
		018-022	reserved / no function	
		23	Linear Dimmer Curve (hold 3s)	
		24	Exponential Dimmer Curve (hold 3s)	
		25	Logarithmic Dimmer Curve (hold 3s)	
		26	S-Curve Dimmer Curve (hold 3s)	
		027-031	reserved / no function	
		32	Dimmer Response LED / fast (hold 3s)	
		33 reserved	reserved / no function	
		34	Dimmer Respononse Halogen / slow (hold 3s)	
		035-039	reserved / no function	
		40	Calibration - High CRI (Colors & CCT / hold 3s)	
		41	Calibration - Normal CRI (Colors & CCT / hold 3s)	
		042-046	reserved / no function	
		47	LED Frequency 800Hz (hold 3s)	
		48	LED Frequency 1200Hz (hold 3s)	
		49	LED Frequency 2000Hz (hold 3s)	
		50	LED Frequency 3600Hz (hold 3s)	
		51	LED Frequency 12kHz (hold 3s)	
		52	LED Frequency 25kHz (hold 3s)	
		053-057	reserved / no function	
		58	Fan Auto 1 (hold 3s)	
		59	Fan Auto 2 (hold 3s)	
		60	Fan Silent (hold 3s)	

**Device Setting DIRECT Modes**

Ch.	Settings	DMX Value	Function	remark
	Device Settings (please see remark *1)	61	Fan Studio (hold 3s)	
		62	Fan Off (hold 3s)	
		63	Fan High Power (hold 3s)	
		064-068	reserved / no function	
		69	Redshift On (hold 3s)	Redshift (affects only between 2700-3500K)
		70	Redshift Off (hold 3s)	
		071-083	reserved / no function	
		84	Runtime Off (hold 3s)	
		85	Runtime 1h (hold 3s)	
		86	Runtime 2h (hold 3s)	
		87	Runtime 3h (hold 3s)	
		88	Runtime 4h (hold 3s)	
		089-093	reserved / no function	
		94	Invert Mapping On (hold 3s)	
		95	Invert Mapping Off (hold 3s)	
		096-244 reserved	reserved / no function	
		245	Snapshot (hold 3s)	
		246-248	reserved / no function	
		249	User Reset (hold 3s)	No Change of DMX Address and Mode! / Reset activates only if Shutter is set to DMX 250
		250	Factory Reset (hold 3s)	No Change of DMX Address and Mode! / Reset activates only if Shutter is set to DMX 250
	251 - 255 reserved	No Function		

remark\*1: After adjustments please set the value back to 000 to avoid any disturbance by endless function call.

## Color Macro Chart

Gels - Color Macros for DMX		
DMX value	Gel Name	Color Number
000-005	no function	
006-008	Red	100% Red LED
009-011	Fire	LEE 019
012-014	Medium Red	LEE 027
015-017	Primary Red	LEE 106
018-020	Med Amber	LEE 020
021-023	Dark Amber	LEE 022
024-026	Deep Amber	LEE 104
027-029	Orange	LEE 105
030-032	Deep Golden Amber	LEE 135
033-035	Yellow	LEE 101
036-038	Green	100% Green LED
039-041	Lime Green	LEE 088
042-044	Moss Green	LEE 089
045-047	LEE Green	LEE 121
048-050	Primary Green	LEE 139
051-053	Jas Green	LEE 738
054-056	Jade	LEE 323
057-059	Blue	100% Blue LED
060-062	Sky Blue	LEE 068
063-065	Tokyo Blue	LEE 071
066-068	Light Blue	LEE 118
069-071	Marine Blue	LEE 131
072-074	Med Blue	LEE 132
075-077	Congo Blue	LEE 181
078-080	Mikkel Blue	LEE 716
081-083	Rose Pink	LEE 002
084-086	Med Pink	LEE 036
087-089	Light Lavender	LEE 052
090-092	Lavender	LEE 058
093-095	Magenta	LEE 113
096-098	Mauve	LEE 126
099-101	Smokey Pink	LEE 127

Gels - Color Macros for DMX		
DMX value	Gel Name	Color Number
102-104	Special Med Lavender	LEE 343
105-107	Ultimate Violet	LEE 707
108-110	Magical Magenta	LEE 795
111-113	Chrysalis Pink	LEE 798
114-116	Specia KH Lavender	LEE 799
117-119	Bulb White	2700K / High CRI
120-122	Halogen White	3200K / High CRI
123-125	Neutral White	4200K / High CRI
126-128	Daylight White	5600K / High CRI
129-131	Cold White I	6000K / High CRI
132-134	Cold White II	6300K / High CRI
135-137	White (only if available)	100% White LED
138-140	Amber (only if available)	100% Amber LED
141-143	Lime (only if available)	100% Lime LED
144-146	Cyan (only if available)	100% Cyan LED
147-149	User Color 1	
150-152	User Color 2	
153-155	User Color 3	
156-158	User Color 4	
159-161	User Color 5	
162-164	Color Jumping stop	
165-209	Color Jumping speed slow @ fast	color 1-37
210-255	Color fading speed slow @ fast	color 1-37

## Color Macro Chart

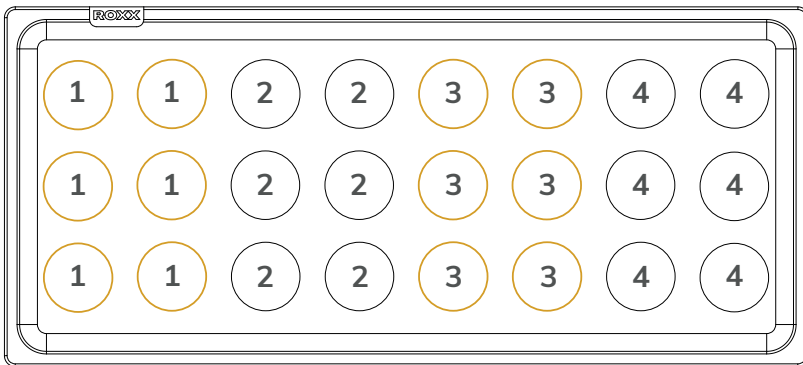
Gels - Color Macros for Standalone Mode		
Position	Gel Name	Color Number
1	Red	100% Red LED
2	Fire	LEE 019
3	Medium Red	LEE 027
4	Primary Red	LEE 106
5	Med Amber	LEE 020
6	Dark Amber	LEE 022
7	Deep Amber	LEE 104
8	Orange	LEE 105
9	Deep Golden Amber	LEE 135
10	Yellow	LEE 101
11	Green	100% Green LED
12	Lime Green	LEE 088
13	Moss Green	LEE 089
14	LEE Green	LEE 121
15	Primary Green	LEE 139
16	Jas Green	LEE 738
17	Jade	LEE 323
18	Blue	100% Blue LED
19	Sky Blue	LEE 068
20	Tokyo Blue	LEE 071
21	Light Blue	LEE 118
22	Marine Blue	LEE 131
23	Med Blue	LEE 132
24	Congo Blue	LEE 181
25	Mikkel Blue	LEE 716
26	Rose Pink	LEE 002
27	Med Pink	LEE 036
28	Light Lavender	LEE 052

Gels - Color Macros for Standalone Mode		
Position	Gel Name	Color Number
29	Lavender	LEE 058
30	Magenta	LEE 113
31	Mauve	LEE 126
32	Smokey Pink	LEE 127
33	Special Med Lavender	LEE 343
34	Ultimate Violet	LEE 707
35	Magical Magenta	LEE 795
36	Chrysalis Pink	LEE 798
37	Specia KH Lavender	LEE 799
38	Bulb White	2700K / High CRI
39	Halogen White	3200K / High CRI
40	Neutral White	4200K / High CRI
41	Daylight White	5600K / High CRI
42	Cold White I	6000 / High CRI
43	Cold White II	6300K / High CRI
44	White (only if available)	100% White LED
45	Amber (only if available)	100% Amber LED
46	Lime (only if available)	100% Lime LED
47	Cyan (only if available)	100% Cyan LED

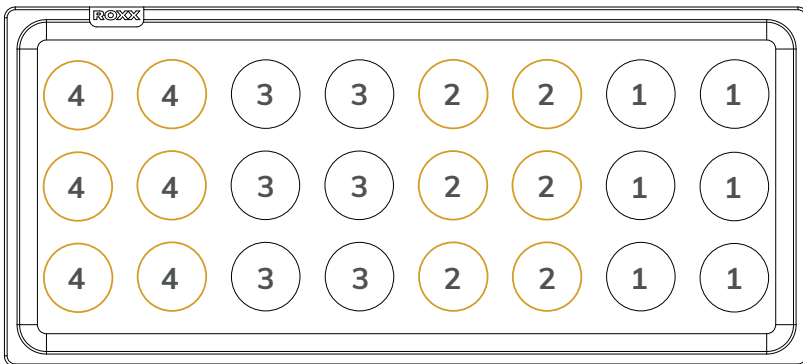


### Section Chart

Below you can see the layout of the controllable sections for the NEO:

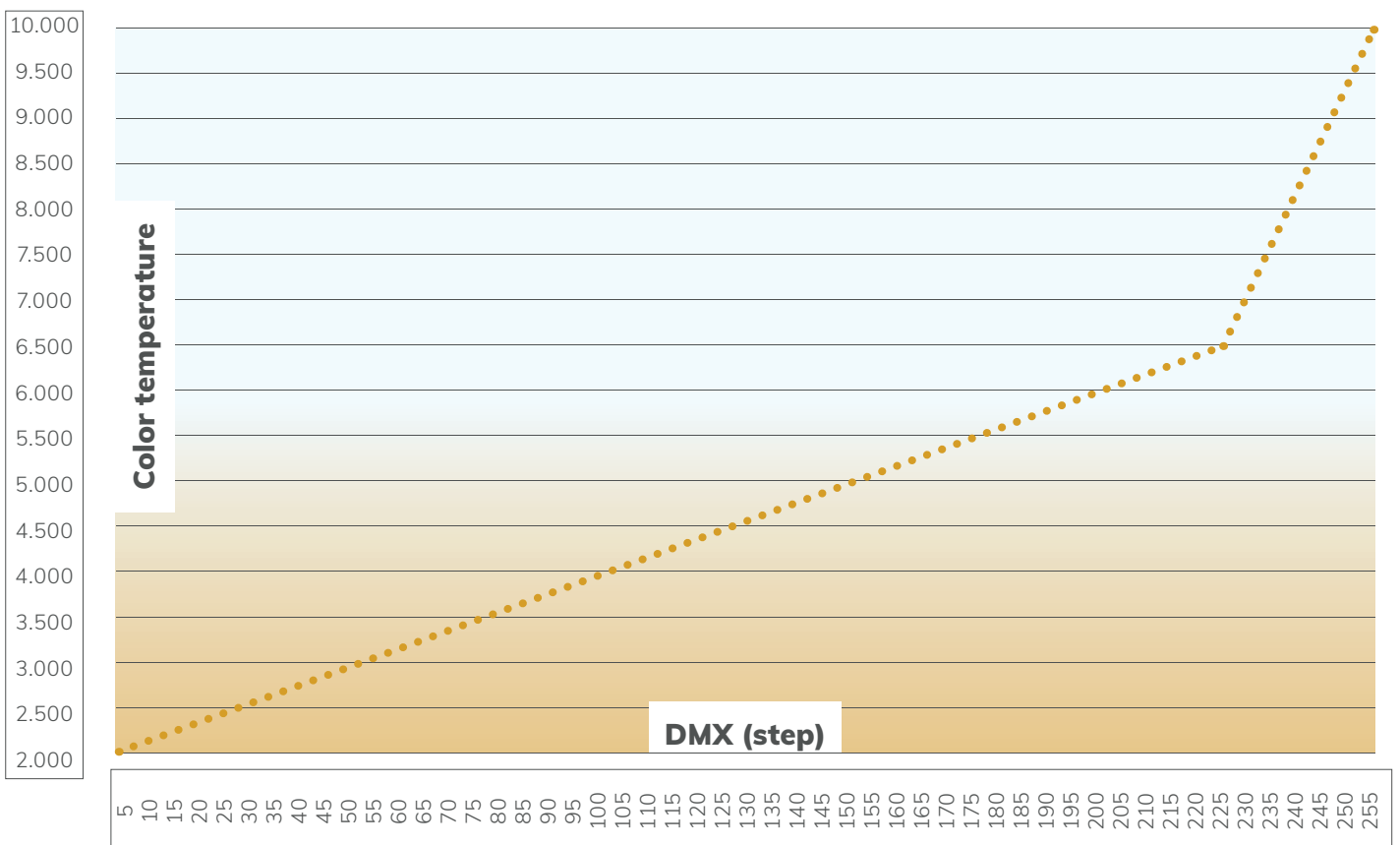


Below you can see the layout of the controllable sections for the NEO, when „Invert“ is activated in settings:



### CTC channel

#### DMX / Color temperature



CTC-Chart

DMX (Step)	Color Temp (°K)	DMX (Step)	Color Temp (°K)	DMX (Step)	Color Temp (°K)	DMX (Step)	Color Temp (°K)	DMX (Step)	Color Temp (°K)	DMX (Step)	Color Temp (°K)
0	5600	43	2774	86	3649	129	4525	172	5400	215	6276
1	5600	44	2794	87	3670	130	4545	173	5421	216	6296
2	5600	45	2814	88	3690	131	4566	174	5441	217	6317
3	5600	46	2835	89	3710	132	4586	175	5462	218	6337
4	5600	47	2855	90	3731	133	4606	176	5482	219	6357
5	2000	48	2876	91	3751	134	4627	177	5502	220	6378
6	2020	49	2896	92	3771	135	4647	178	5523	221	6398
7	2041	50	2916	93	3792	136	4667	179	5543	222	6419
8	2061	51	2937	94	3812	137	4688	180	5563	223	6439
9	2081	52	2957	95	3833	138	4708	181	5584	224	6459
10	2102	53	2977	96	3853	139	4729	182	5604	225	6480
11	2122	54	2998	97	3873	140	4749	183	5624	226	6500
12	2143	55	3018	98	3894	141	4769	184	5645	227	6621
13	2163	56	3038	99	3914	142	4790	185	5665	228	6741
14	2183	57	3059	100	3934	143	4810	186	5686	229	6862
15	2204	58	3079	101	3955	144	4830	187	5706	230	6983
16	2224	59	3100	102	3975	145	4851	188	5726	231	7103
17	2244	60	3120	103	3995	146	4871	189	5747	232	7224
18	2265	61	3140	104	4016	147	4891	190	5767	233	7345
19	2285	62	3161	105	4036	148	4912	191	5787	234	7466
20	2305	63	3181	106	4057	149	4932	192	5808	235	7586
21	2326	64	3201	107	4077	150	4952	193	5828	236	7707
22	2346	65	3222	108	4097	151	4973	194	5848	237	7828
23	2367	66	3242	109	4118	152	4993	195	5869	238	7948
24	2387	67	3262	110	4138	153	5014	196	5889	239	8069
25	2407	68	3283	111	4158	154	5034	197	5910	240	8190
26	2428	69	3303	112	4179	155	5054	198	5930	241	8310
27	2448	70	3324	113	4199	156	5075	199	5950	242	8431
28	2468	71	3344	114	4219	157	5095	200	5971	243	8552
29	2489	72	3364	115	4240	158	5115	201	5991	244	8672
30	2509	73	3385	116	4260	159	5136	202	6011	245	8793
31	2529	74	3405	117	4281	160	5156	203	6032	246	8914
32	2550	75	3425	118	4301	161	5176	204	6052	247	9034
33	2570	76	3446	119	4301	162	5197	205	6072	248	9155
34	2590	77	3466	120	4342	163	5217	206	6093	249	9276
35	2611	78	3486	121	4362	164	5238	207	6113	250	9397
36	2631	79	3507	122	4382	165	5258	208	6133	251	9517
37	2652	80	3527	123	4403	166	5278	209	6154	252	9638
38	2672	81	3548	124	4423	167	5299	210	6174	253	9759
39	2692	82	3568	125	4443	168	5319	211	6195	254	9879
40	2713	83	3588	126	4464	169	5339	212	6215	255	10000
41	2733	84	3609	127	4484	170	5360	213	6235		
42	2753	85	3629	128	4505	171	5380	214	6256		

## 7.5 RDM Templates\*

The ROXX NEO features support for various RDM functions. RDM (Remote Device Management) is a protocol enhancement to USITT DMX512 that allows bi-directional communication between the fixtures and the controller over a standard DMX line. This protocol will allow configuration, status monitoring and management. You will need a RDM controller to get control over the supported parameters. See the tables below for supported RDM features.

Label:	ROXX NEO
Model:	NEO
Manufacturer:	ROXX
ID:	6A6Ah
Device ID:	0137 xxxx

**Note:** During RDM identifying process NEO flashes white to blue color alternately.

### RDM functions

For easy identifying ROXX NEO during RDM process the unit will jump from white color to blue color every second.

PID	Function	Action	Values
0x00F0	DMX Start Adress	Set	001-512
0x00E0	DMX Personality	Set	DMX modes
0x00E1	DMX Slots	Read	Channels
0x8010	Fan Mode	Set	1= Auto 1 / 2= Auto 2 / 3= Silent / 4= Studio / 5= Fan Off / 6= Max. Power
0x8030	Dimmer Curve	Set	1= Linear / 2= Exponential / 3= Logarithmic / 4= S-Curve
0x8031	Dimmer Response	Set	1= LED / 2= Halogen
0x8032	Redshift	Set	0= Off / 1= On
0x8033	Color Calibration	Set	0= Normal CRI / 1= High CRI
0x8034	RAW Balance	Set	0= RAW / 1= User Calibration
0x8035	User Calibration- Red	Set	000-255
0x8036	User Calibration- Green	Set	000-255
0x8037	User Calibration- Blue	Set	000-255
0x8038	User Calibration- Lime	Set	000-255
0x8040	LED Frequency (PWM)	Set	1= 800Hz / 2= 1200Hz / 3= 2000Hz / 4= 3600Hz / 5= 12kHz / 6= 25kHz
0x8041	Startup Mode	Set	0= DMX / 1= AUTO FX / 2= Editor / 3= Color Macro / 4= Quick Color / 5= Tunable White / 6= User Color
0x8011	DMX Fail	Set	1= Hold / 2= Blackout / 3= Emergency
0x8012	Display Backlight	Set	0= Off / 1= On
0x8013	Display Auto Flip	Set	0= Off / 1= On
0x8017	Display Lock	Set	0= Off / 1= On
0x8018	CRMX Operating Mode	Set	0= RX / 1= TX
0x8019	CRMX Receive Reset	Set	0= No / 1= Yes
0x801A	CRMX Transmit Link	Set	0= No / 1= Yes
0x801B	CRMX Pass to DMX out	Set	0= No / 1= Yes
0x801C	Bluetooth	Set	0= Off / 1= On
0x801D	Bluetooth Link	Set	0= No / 1= Yes
0x8048	Protocol	Set	1=DMX / 2= Slave
0x8045	Battery Runtime	Set	0= Off / 1= 1h / 2= 2h / 3= 3h / 4= 4h / 5= 5h / 6= 6h / 7= 7h / 8= 8h
0x8049	Invert Mapping	Set	0= Off / 1= On

0x801E	Factory Reset	Set	0= No / 1= Yes
0x801F	User Reset	Set	0= No / 1= Yes
0x00C0	Firmware Version	Read	n.a.
0x0082	Serial Number	Read	n.a.
0x0400	Device Power on Time	Read	n.a.
0x0401	LED on Time	Read	n.a.
Sensor1	LED Temperature	Read	n.a.
Sensor2	Fan Speed	Read	n.a.

\* For more and detailed information about the different reset options please refer to chapter "5.4.6.1 Reset functions"

## Sensors

RDM enables various readouts for remote device monitoring. See the table below for sensors and sensor types. Please note: The RDM controller communicates with the fixtures to show only the available sensors for this fixture. The table is subject to change without notice.

Name	
Temperature	xx°C / xxx°F
Software Version	SW-Version
Errors	

## 8. TROUBLESHOOTING

Did you try turning the device off and on again?

Problem	Reason	Solution
Device is not responding.	No power.	Check cable connections and conform that power is switched on.
	Fuse defect.	Contact your qualified service technician / manufacturer.
Device has turned off.	Power failure or power was turned off.	Check power supply, fuse, connections, switches.
Device has stopped responding.	DMX cable correct?	Check cables.
	Wireless connection got cut off.	Check wireless transmitter and connection signals.
Device operates strangely.	DMX cable inverted (pins correct?)	Use a phase inverter or different cables.
	DMX cable terminated?	If not, install DMX termination at the end of the cable.
	Stand Alone program running?	Stop internal Stand Alone.
No Bluetooth Connectivity	No Bluetooth Connectivity	Please make sure your mobile device is inside the connectivity range of maximum 10-15m.
	Bluetooth is disabled at your mobile device	Please enable Bluetooth at your mobile device settings.
	Mobile device has wrong Bluetooth Pin	Please use same Bluetooth Pin to connect ROXX. APP with the fixture. Current BLE Pin can be read out inside fixture's wireless DMX settings.
	Mobile device has different Bluetooth connectivity	As only one Bluetooth connectivity can be active, please make sure your mobile device is currently not connected to some other devices.
	Different mobile device is still connected to the fixture	Please disconnect other mobile device from fixture.
	No Bluetooth Advertisement	Please send new BLE advertisement by enable "BLE Link" inside Settings of the fixture.
	Bluetooth module has hang up	Please enable Factory Reset at the fixture to re-start the Bluetooth module.

## 9. MANUFACTURER'S DECLARATION

### Manufacturer's Warranty & Limitations of Liability

Please find our warranty conditions and limitations of liability inside our manufacturer's declaration at [www.roxxlight.com/support](http://www.roxxlight.com/support)

### Requesting Warranty-Service

To request warranty service for your product, please contact:

ROXX GmbH,

Hansestr. 91, 51149 Köln

Email: [info@roxxlight.com](mailto:info@roxxlight.com) or the ROXX authorized reseller in your country, from where you purchased your product.

### Correct Disposal of this product



This is for the European Union and European countries with electrical waste collection systems. When this label is shown on the product or brochure it means that the item cannot be disposed with household waste. In order to prevent damage to the environment or human health please do not dispose this product uncontrolled. Make sure to act responsible, recycle this product separately from other types of waste to enable lasting reuse of resources. Private users please contact the retailer where you purchased this product or your local authorities to find out where and how proper recycling of this item is possible. Business users please contact your supplier or check the terms and conditions of your purchasing contract. Make sure not to mix this product with other commercial waste.

### FCC Statement

This device complies with Part 15 of the FCC Rules. Operation is subject to the following two conditions:

- (1) This device may not cause harmful interference, and
- (2) This device must accept any interference received, including interference that may cause undesired operation

NOTE: This equipment has been tested and found to comply with the limits for a Class B digital device, pursuant to Part 15 of the FCC Rules. These limits are designed to provide reasonable protection against harmful interference in a residential installation. This equipment generates, uses and can radiate radio frequency energy and, if not installed and used in accordance with the instructions, may cause harmful interference to radio communications. However, there is no guarantee that interference will not occur in a particular installation. If this equipment does cause harmful interference to radio or television reception, which can be determined by turning the equipment off and on, the user is encouraged to try to correct the interference by one or more of the following measures:

- Reorient or relocate the receiving antenna.
- Increase the separation between the equipment and receiver.
- Connect the equipment into an outlet on a circuit different from that to which the receiver is connected.
- Consult the dealer or an experienced radio/TV technician for help.

## CE Compliance

The equipment marketed by ROXX GmbH complies (where applicable) with the essential requirements and other specifications of the following Directives:

- 2014/53/EU (RED)
- 2014/30/EU (EMC)
- 2014/35/EU (LVD)
- 2011/65/EU (RoHS)

The complete EU- and UK-Declaration of Conformity can be found at [www.roxxlight.com/support](http://www.roxxlight.com/support), or you can also request it at [info@roxxlight.com](mailto:info@roxxlight.com)

