

ROXX NEO

Wash-/Flood-Light

- 24x 40W RGBL
- 27.225 lm luminous flux
- CRI / Ra & TLCI > 85
- IP65 In/Outdoor

Illuminate your world with NEO, a cutting-edge lighting fixture that combines unparalleled performance with versatility and convenience. With 24 x 40W RGBL LEDs, NEO generates an astounding 37,690lx @ 5m, calibrated at 5600K, ensuring your space is bathed in brilliant light. Crafted with precision, the fixture features a specially developed 8° TIR lens, ensuring high illuminance even over extended distances while guaranteeing seamless color mixing for captivating displays. Enhance your lighting setup further with optional magnetic filters, offering a range of circular and elliptical beam angles, along with a smoked clear filter tailored for impeccable camera applications.

NEO boasts a CRI/Ra & TLCI of over 85 across the entire white color spectrum, ensuring accurate color reproduction that breathes life into your surroundings. Four controllable segments provide unparalleled customization, empowering you to tailor your lighting to suit any scenario. Built to withstand the elements, NEO has a certified IP65 rating, making it suitable for both indoor and outdoor use. The additional DC input allows for easy connection to standardized battery packs, transforming the fixture into a mobile powerhouse for on-the-go lighting needs.

The integrated CRMX transceiver and Bluetooth module offer seamless wireless DMX setup according to industry standards, along with direct control via the intuitive ROXX.APP, streamlining your workflow and enhancing efficiency.

Experience hassle-free addressing and configuration with NEO's integrated Near Field Communication (NFC), even when fixture power is not available. This innovative feature revolutionizes your daily work processes, making light setup faster, easier, and more satisfying than ever before. The specially developed copper heat pipe cooling system ensures stable luminous intensity, even in high ambient temperatures. With temperature-controlled fan modes, including fanoff mode for silent operation, NEO is ideal for any stage, TV, and film application. The fixture offers linear CTC control from 2000K to 10,000K, ensuring versatility for any lighting scenario. The user-friendly 2" TFT display, complemented by backlit buttons, provides direct access to dimmer, CCT, gels, app control, and CRMX functions, simplifying operation for users of all levels.

Designed with convenience in mind, NEO features integrated handles on both the head and yoke, allowing for comfortable transportation. Multiple mounting locations offer creative rigging options, while 16-bit dimming control ensures smooth, perfect fades for seamless transitions. Experience seamless transitions with 16-bit dimming control, ensuring smooth, perfect fades every time. Plus, adjustable PWM frequencies up to 25kHz guarantee flicker-free operation, providing optimal lighting conditions for any shoot.

Apps



Accessories



Filters



8-Way Barndoor



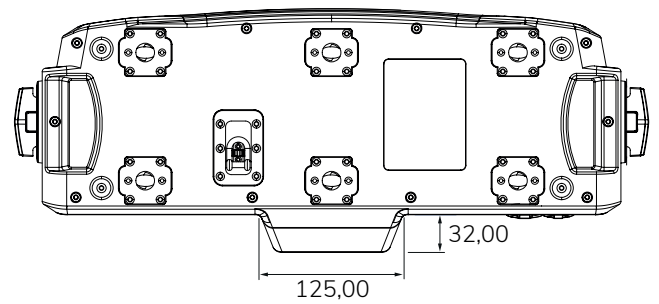
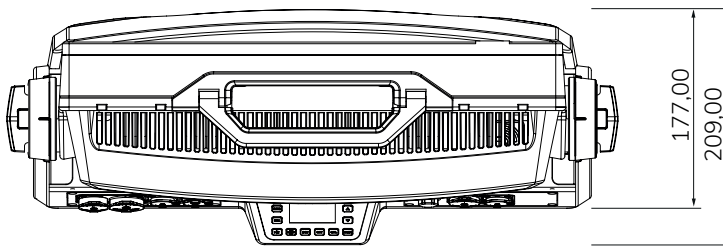
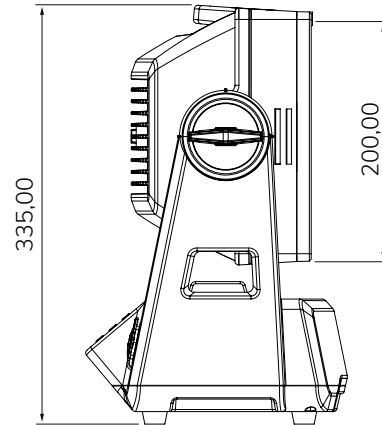
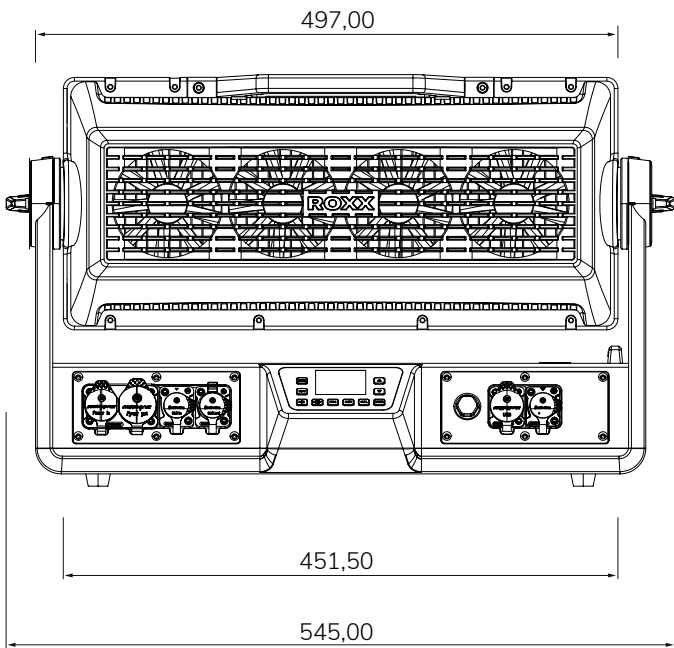
Cases

Technical Data

Photometrics	
LED expected lifetime	50.000 hours
Lightsource	24x 40W RGBL
Type of optical system	TIR lens
LED PWM Frequency	selectable 800Hz, 1.200Hz, 2.000Hz, 3.600Hz, 12kHz, 25kHz
Beam angles @ Full (50%)	8° (native)
Maximum Field angles @ Full (10%)	15° (native)
Color temperature range	2000-10.000K
CRI/Ra @ 5600K	85
TLCI @ 5600K	85
Luminous flux @ Full (RAW)	27.225 lm (918W)
Luminous flux @ 5600K (Normal CRI)	26.183 lm (721,5W)
Luminous flux @ 5600K (High CRI)	16.627 lm (389,4W)
illuminance Lux @ 5m / 16,4ft (@ Full)	38.525 lx / 3579 fcd
illuminance Lux @ 5m / 16,4ft (@ 5600K Normal CRI)	36.865 lx / 3425 fcd
illuminance Lux @ 5m / 16,4ft (@ 5600K High CRI)	23.124 lx / 2148 fcd
Efficacy @ Full (max)	29,7 lm/W
Dimensions & Weight	
IP class	IP65
IK class	IK08
Body material	Aluminum, Nylon
Lens material	Tempered glass front
Net dimensions (w x h x d)	545 x 340 x 210 mm
Net dimensions inches	21,46 x 13,39 x 8,27 inches
Net weight (incl. Yoke)	15,4kg / 33,95 lbs
Tilt	220°
Tilt Locking System	Locking system including angle indicator
Thermal Characteristics	
Cooling	Active, Forced Air, Temperature-regulated
Humidity (max.)	95%
Temperature range, Operating	-40°C to 45°C
Temperature range, Start-Up	-20° to 45°C
Temperature range, Storage	-40°C to 80°C
Thermal Protection	Automatic overtemperature protection
Electrical Data	
AC Power, max	90 – 285V 50/60Hz
AC Power, nominal	100 – 240V 50/60Hz
Electrical protection	Overload protection with automatic recover
Max. power consumption	988W
Standby Power	11,2W
Power Thru max. @ 100V	2A (ETL) / 5A
Power Thru max. @ 230V	7A (ETL) / 10A

Technical Data

Power Linking	1 unit @ 230V / 0 units @ 100V
Power Factor	PF 0.993@ 100V / PF 0.977@ 230V
Power Supply Unit	Inbuilt auto-ranging electronic switch-mode
DC Power In	24-34V
Operator & Controller	
DMX channels	3CH CCT, 3CH RGB, 6CH RGB, 8CH RGB, 19CH RGB, 23CH RGB, 4CH DIRECT, 8CH DIRECT, 9CH DIRECT, 21CH DIRECT, 26CH DIRECT, 17CH HSI, 16CH PURE, 29CH PURE, 28CH FULL ACCESS, 44CH FULL ACCESS
DMX modes	16
Protocol	USITT DMX512A RDM ANSI E1.20 CRMX, W-DMX™ G2, W-DMX™ G3, W-DMX™ G4, W-DMX™ G4S Bluetooth (Low Energy)
Setting and addressing	2.0" TFTdisplay / 10 controls RDM ANSI E1.20 Near Field Control (NFC)
Standalone mode	Auto Program, Color Macro, Quick Color, Tunable White, User Color
Wireless DMX	Lumen Radio transmitt & receive function (CRMX)
indicator	2.0" TFT display
controls	10 backlighted controls
Strobe	0-30Hz
DMX I/O	IP65 XLR 5-pin male/female
Power In	TRUE1 compatible input & link-thru sockets
USB Firmware Update	IP65 USB socket
Included / Optional	
Included items	2m Power Cable
Optional Accessories	Multiple magnetic filters (circular / elliptical, smoked-clear), 8-Way Barndoor, Omega Bracket ST
Color options	Black – RAL 9004 (Standard) White – RAL 9010 (on request) Custom color – any RAL (on request)
Installation	
Mounting point on fixture bottom side	3x 1/4 turn Omega Bracket
Mounting point on fixture Yoke side	1x 1/4 turn Omega Bracket
Orientation	Any
Rigging possibilities	hanging direct
Safety features	1x bottom mount for fixtures safety wire / 2x Yoke mount for accessory safety wires
Minimum distance from flammable materials	0,3 meters (11,8 inch)



Order Number

ROXX NEO	Order Number
ROXX NEO	14202001
Accessories	Order Number
NEO Filters (Very Narrow 10°)	14905101
NEO Filters (Narrow 15°)	14905201
NEO Filters (Medium 40°)	14905301
NEO Filters (Wide 80°)	14905401
NEO Filters (Horizontal 60°x10°)	14905501
NEO Filters (Vertical 10°x60°)	14905601
NEO Filters (Smoked Clear)	14905701

Accessories	Order Number
8-Way Barndoor	14905901
Omega Bracket ST	90900002
Casetec Case 4x	14906041
Amptown Case 4x	14906011

